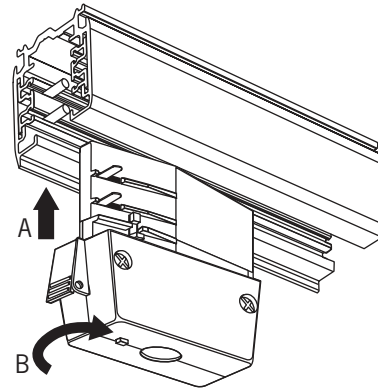


INSTALLING AND REMOVING FIXTURES

To reduce the risk of fire and electric shock, use only fixtures marked for use with Con-Tech Lighting 2-Circuit/2-Neutral Track System. Fixtures with an adapter are factory wired and can not be field modified. Fixtures must be returned to the manufacturer for modification of the circuit selection. **DO NOT** slide the adapter down the track as it will damage the connectors and cause faulty lighting. Fixture must be taken out of track and placed to its desired location.

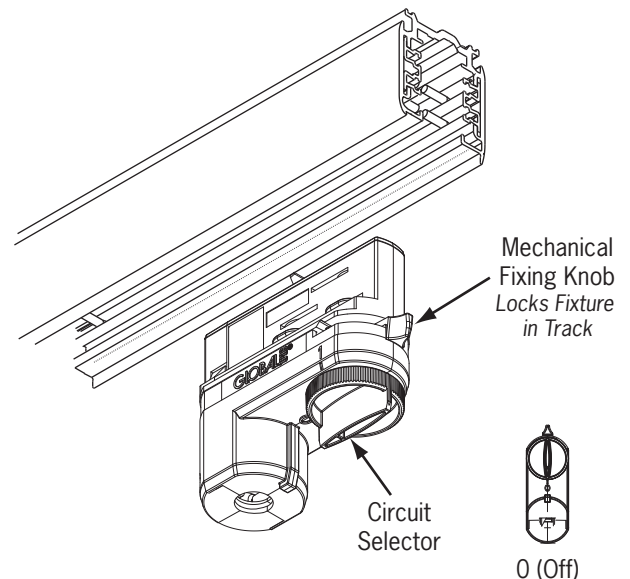
120V System

1. Align the fixture adapter so that the flange (ridge) on the track is on the same side as the locking knob on the adapter.
2. Insert the adapter into the track (A), turning it at the same time to the right (B) until the locking knob snaps into place behind the flange. **NOTE:** Ensure that the adapter is turned enough so that the knob positively snaps into place over the flange.
3. To remove the adapter, push the locking knob and pull the fixture assembly out, turning it to the left at the same time.



277V System

1. Align the ridge on the fixture adapter with the groove on the track.
2. Push the adapter into the track till it snaps into place.
3. Turn the mechanical fixing knob clockwise.
4. Select the desired circuit with the circuit selector knob.
5. To remove the adapter from track, select the "0" position (OFF) before turning the mechanical fixing knob counterclockwise. Pull from fixing knob end.



IMPORTANT SAFETY INSTRUCTIONS:

- Read all the instructions before installation. Save instructions for later use.
- Turn off the power at fuse or circuit breaker box before installation or maintenance work.
- Wear rubber soled shoes and work on a sturdy wooden or non-conductive ladder.
- Product must be mounted in locations and at heights in compliance with National Electrical Code and local building codes. For indoor, dry location use only.
- Do not exceed the nominal supply voltage or amperage ratings.
- Installing contrary to instructions may cause unsafe conditions.
- **Warning:** Risk of fire. Most dwellings built before 1985 have supply wire rated at 60°C. Consult a qualified electrician before installation.
- Avoid hazards to children: account for all parts and properly dispose of all packing materials.
- Call the Technical Support department at Con-Tech Lighting with any installation questions.