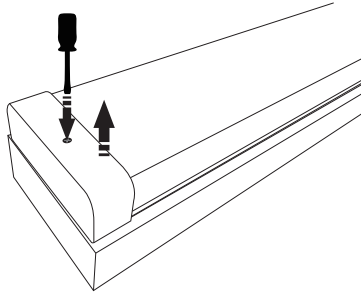


ENSURE THAT POWER IS TURNED OFF BEFORE INSTALLATION.

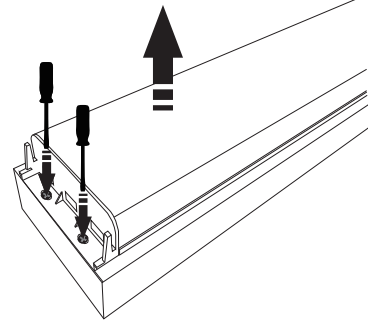
1

Remove the screws and pull out the plastic end cap upwards.



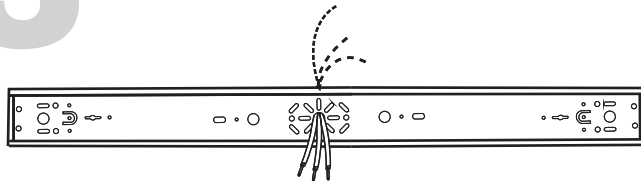
2

Remove the screws and aluminum plate.



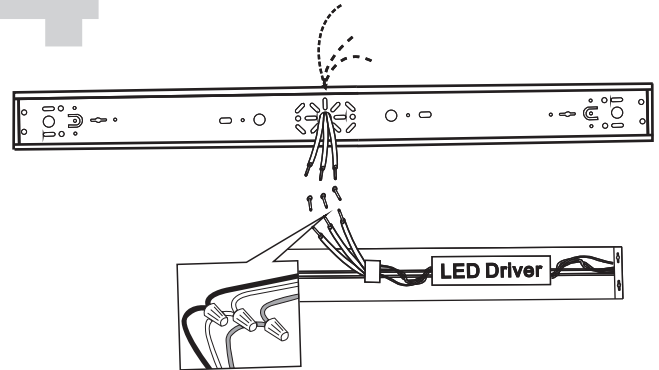
3

Pass the power supply through the entry hole.



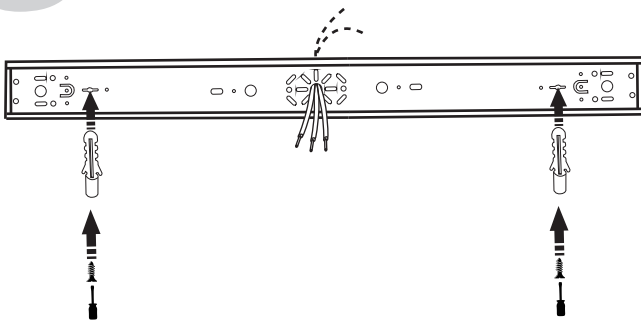
4

Connect the power supply by wire nuts



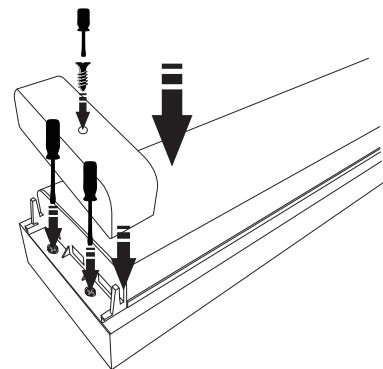
5

Mount the channel to the ceiling structure. Screw the channel to the electrical junction box.



6

Reinstall the screws and plastic cover.



IMPORTANT SAFETY INSTRUCTIONS:

- Read all the instructions before installation. Save instructions for later use.
- Turn off the power at fuse or circuit breaker box before installation or maintenance work.
- Wear rubber soled shoes and work on a sturdy wooden or non-conductive ladder.
- Product must be mounted in locations and at heights in compliance with National Electrical Code and local building codes. For indoor use only.
- Do not exceed the nominal supply voltage or amperage ratings.
- Installing contrary to instructions may cause unsafe conditions.
- **Warning:** Risk of fire. Most dwellings built before 1985 have supply wire rated at 60°C. Consult a qualified electrician before installation.
- Avoid hazards to children: account for all parts and properly dispose of all packing materials.
- Call the Technical Support department at ConTech Lighting with any installation questions.

All specifications subject to change without notice. For ConTech's limited product warranty, go to www.contechlighting.com. For a printed copy of the warranty, call 1-847-559-5500.