

# CGL12

## 12" LED Decorative Pendant

### Specifications/Features

#### Fixture

Add a splash of color with these decorative pendants; available with glass shades in four different colors, as well as clear prismatic acrylic and an aluminum shade option. Designed for many applications, including retail and commercial settings. Installation options include cable or stem mono-point ceiling canopies. For cable installation, a 120" field adjustable flexible cable is included with the pendant. Alternately, for stem mounting, various rigid stem lengths are sold separately. Rigid stems range from 6" - 48" long; maximum allowable stem length is 10 feet. Frosted glass lens encloses the bottom of the fixture to reduce glare. Optional frosted acrylic lens available for use in food environments.

#### Lamp

Light engine consists of a high output multi-chip LED array available in five (5) wattage/lumen packages: 28W/2200lm, 38W/3300lm, 50W/4100lm, 60W/6100lm, and 98W/8500lm.

Excellent fixture-to-fixture color consistency within a 3-step MacAdam Ellipse tolerance.

Available in the following color temperatures: 2700K, 3000K, 3500K and 4000K; CRI: 80 min., 83 typical.

System designed and rated for 50,000 hours at 70% lumen maintenance.

#### Dimming

All CGL12 fixtures are available for non-dimming and dimming applications. 0-10V Dimming, dimming range down to 15%. Standard option for all wattages. Dimmer control may be operated from an input signal of 0-10VDC.

The following dimmer has been confirmed to dim to 15% output: Lutron NTFTV with PP120H or PP277H.

Lutron Hi-lume Dimming, dimming range down to 1%. **Available only for 28W model.**

For non-dimming applications, use driver option MVD2.

#### Electrical

The CGL12 Performance series utilizes drivers manufactured by Lutron, Roal, and Thomas Research Products. Consult factory for more information.

| Driver Specifications | Input Wattage | Input Voltage | Frequency |         |
|-----------------------|---------------|---------------|-----------|---------|
| CGL1232               | 12D1          | 28W           | 120V      | 50-60Hz |
|                       | MVD2          | 28W           | 90-305V   | 47-63Hz |
|                       | MVD4          | 28W           | 120-277V  | 50-60Hz |
| CGL1254               | MVD2          | 38W           | 90-305V   | 47-63Hz |
| CGL1282               | MVD2          | 50W           | 90-305V   | 47-63Hz |
| CGL1290               | MVD2          | 60W           | 90-305V   | 47-63Hz |
| CGL12100              | MVD2          | 98W           | 90-305V   | 47-63Hz |

Emergency battery backup options available. Canopy mount with local switch (EC) or remote mount with remote switch (ER). Remote mount option comes with a thin canopy.

#### Warranty

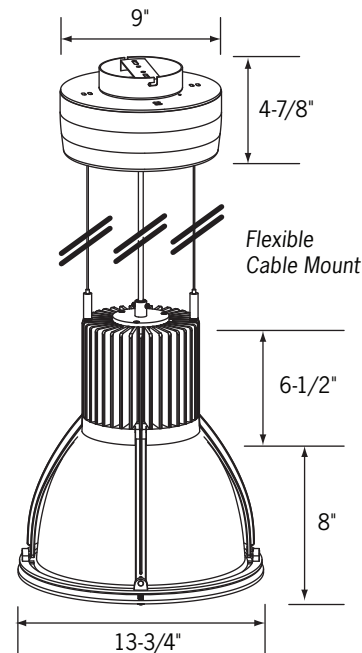
This complete fixture is covered by ConTech's full five (5) year replacement guarantee after date of purchase.

#### Listing

cCSAus Certified to UL standards. Frosted Glass Lens MUST be used for Canadian listing.

Tested in compliance with the Canadian Standards Association (CSA) as set forth in C22.2 No. 141, "Unit Equipment for Emergency Lighting."

Suitable for damp locations.



# CGL12

## 12" LED Decorative Pendant

### Ordering Information

Example Order:  -

| LED Module           | Color Temp           | Electrical/Dimming   | Battery Back-Up      | Shade                | Mounting             | Finish               |
|----------------------|----------------------|----------------------|----------------------|----------------------|----------------------|----------------------|
| <input type="text"/> | <input type="text"/> | <input type="text"/> | <input type="text"/> | <input type="text"/> | <input type="text"/> | <input type="text"/> |

|                       |                    |   |  |                                    |   |  |
|-----------------------|--------------------|---|--|------------------------------------|---|--|
| <b>CGL1232</b> - 28W  | <b>27K</b> - 2700K | <b>12D1*</b> - 120V Triac Dimming,        | - None, Leave Blank  | <b>A</b> - Clear Prismatic Acrylic | <b>FC</b> - Flexible Cable <i>Included</i>                | <b>B</b> - Black Housing/ Black Cord       |
| <b>CGL1254</b> - 38W  | <b>30K</b> - 3000K | <b>MVD2</b> - 120/277V with 0-10V Dimming | <b>EC</b> - Canopy Mount Local Switch, 6.5W                        | <b>AL</b> - Aluminum               | <b>RS</b> - Rigid Stem* <i>Sold Separately, See Below</i> | <b>P</b> - White Housing/ White Cord       |
| <b>CGL1282</b> - 50W  | <b>35K</b> - 3500K | <b>MVD4*</b> - Lutron HiLume® Dimming;    | <b>ER</b> - Remote Mount, Remote Switch, 6.5W Includes Thin Canopy | <b>AM</b> - Amber Glass            |   | <b>S</b> - Silver Housing/ Black Cord      |
| <b>CGL1290</b> - 60W  | <b>40K</b> - 4000K | *28W Fixture Only                         |  | <b>B</b> - Blue Glass              |   | <i>Silver Cord Option, Consult Factory</i> |
| <b>CGL12100</b> - 98W |                    |   |  | <b>R</b> - Red Glass               |   |  |
|                       |                    |   |  | <b>W</b> - White Glass             |   |  |

Accessories

Rigid Stem Lengths for "RS" Mount Only  
10 Ft. Maximum Allowable Stem Length

|                            |                            |  |
|----------------------------|----------------------------|--|
| <b>6" STEM(A)-(B,P,S)</b>  | <b>18" STEM(A)-(B,P,S)</b> | <b>48" STEM(A)-(B,P,S)</b>                                       |
| <b>12" STEM(A)-(B,P,S)</b> | <b>24" STEM(A)-(B,P,S)</b> | <b>COUPLING-(B,P,S)</b> - External Coupling for Connecting Stems |
|                            | <b>30" STEM(A)-(B,P,S)</b> | <b>CG12FAL</b> - Frosted Acrylic Lens                            |
|                            | <b>36" STEM(A)-(B,P,S)</b> |  |

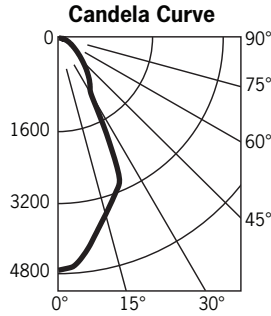
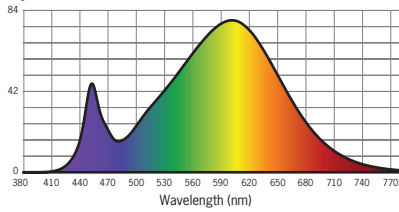
# CGL12

## 12" LED Decorative Pendant

### Photometrics

#### CGL129030KMVD2ALFC

Light Output (Fixture Lumens): 4195  
 Total Watts@120V: 58  
 Lumens Per Watt: 72  
 Color Rendering Index (CRI)<sup>1</sup>: 81  
 Color Temperature (CCT)<sup>2</sup>: 3109K Warm White  
 Spectral Power Distribution Chart<sup>3</sup>



#### Candlepower Summary

| FROM 0 | CANDELA | LUMENS |
|--------|---------|--------|
| 0      | 4771    |        |
| 5      | 4560    | 421    |
| 15     | 3655    | 1038   |
| 25     | 2300    | 1032   |
| 35     | 1010    | 624    |
| 45     | 597     | 460    |
| 55     | 323     | 292    |
| 65     | 172     | 173    |
| 75     | 77      | 83     |
| 85     | 20      | 24     |
| 95     | 14      | 14     |

#### Intensity Distribution

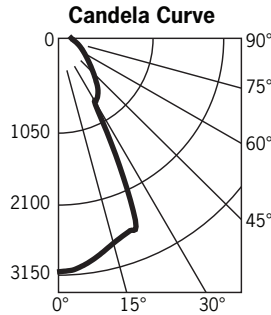
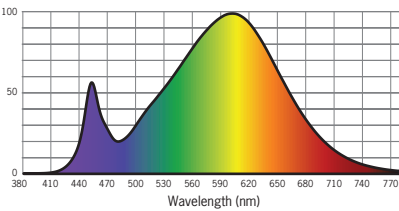
| DISTANCE (FT.) | FOOTCANDLES (FC) | BEAM DIAMETER (FT.) |
|----------------|------------------|---------------------|
| 6'             | 132.5            | 5.0                 |
| 8'             | 74.5             | 6.7                 |
| 10'            | 47.7             | 8.4                 |
| 12'            | 33.1             | 10.1                |
| 14'            | 24.3             | 11.8                |
| 16'            | 18.6             | 13.5                |

Beam Distribution: 50°

Designed for 50,000 Hour Lamp Life\*; LM-79 Test No. 80911

#### CGL129030KMVD2WFC

Light Output (Fixture Lumens): 5171  
 Total Watts@120V: 59  
 Lumens Per Watt (Efficiency): 88  
 Color Rendering Index (CRI)<sup>1</sup>: 81  
 Color Temperature (CCT)<sup>2</sup>: 3085K Warm White  
 Spectral Power Distribution Chart<sup>3</sup>



#### Candlepower Summary

| FROM 0 | CANDELA | LUMENS |
|--------|---------|--------|
| 0      | 3122    |        |
| 5      | 3072    | 290    |
| 15     | 2827    | 800    |
| 25     | 1866    | 836    |
| 35     | 886     | 549    |
| 45     | 615     | 478    |
| 55     | 425     | 383    |
| 65     | 309     | 306    |
| 75     | 222     | 234    |
| 85     | 166     | 182    |
| 95     | 174     | 185    |

#### Intensity Distribution

| DISTANCE (FT.) | FOOTCANDLES (FC) | BEAM DIAMETER (FT.) |
|----------------|------------------|---------------------|
| 6'             | 86.7             | 5.4                 |
| 8'             | 48.8             | 7.3                 |
| 10'            | 31.2             | 9.1                 |
| 12'            | 21.7             | 10.9                |
| 14'            | 15.9             | 12.7                |
| 16'            | 12.2             | 14.5                |

Beam Distribution: 52°

Designed for 50,000 Hour Lamp Life\*; LM-79 Test No. 80910

To estimate output at other wattages or color temperatures, please multiply the CPL6 results by the following:

| 28W  | 38W  | 50W  | 98W  |
|------|------|------|------|
| 0.38 | 0.57 | 0.70 | 1.20 |

| 2700K | 3000K | 3500K | 4000K |
|-------|-------|-------|-------|
| 0.92  | 1.0   | 1.03  | 1.04  |

1. Accuracy of rendering colors  
 2. Color appearance of light source  
 3. Colors present within the light source

\*Dependent on surrounding temperatures