

CGL8

8" LED Performance Pendant

Specifications/Features

Fixture

Add a splash of color with these decorative pendants; available with glass shades, available in four different colors, as well as clear prismatic acrylic and aluminum shades.

Designed for many applications, including retail and commercial settings. Installation options include cable or stem mono-point ceiling canopies. For cable installation, a 120" field adjustable flexible cable is included with the pendant. Alternately, for stem mounting, various rigid stem lengths are sold separately. Rigid stems range from 6" - 48" long; maximum allowable stem length is 10 feet.

Frosted glass lens encloses the bottom of the fixture to reduce glare. Optional frosted acrylic lens available for food service environments.

Lamp

Light engine consist of a high output multi-chip LED array available in three wattage/lumen packages: 15W/1000lm, 28W/1700lm and 38W/2600lm. Excellent fixture-to-fixture color consistency within a 3-step McAdam Ellipse tolerance.

Available in the following color temperatures: 2700K, 3000K and 3500K; CRI: 80 min., 83 typical.

Dimming

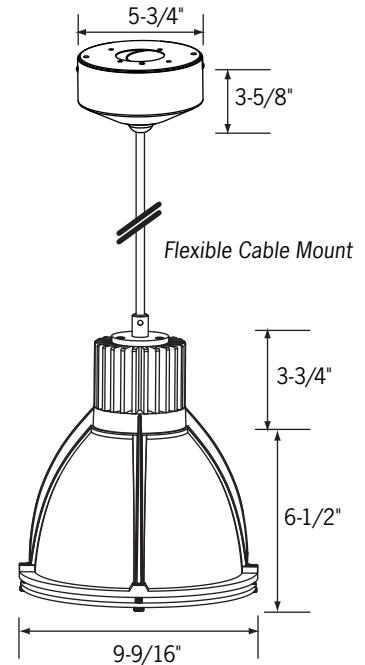
Triac dimming is available on the 15W and 28W models, 120V only. Designed to work with industry standard lighting controls for dimming applications. Dimming range down to 10% nominal output current. 0-10V Dimming is available for 120V and 277V.

Dimmer control may be operated from an input signal of 0-10VDC. The following dimmer has been confirmed to dim to 15% output: Lutron NTFTV with PP120H or PP277H.

Electrical

The CGL8 Performance series utilizes drivers manufactured by Lutron, Roal, and Thomas Research Products. Consult factory for more information.

| Driver Specifications | Input Wattage | Input Voltage | Frequency | |
|-----------------------|---------------|---------------|-----------|---------|
| CGL823 | 12D1 | 15W | 120V | 50-60Hz |
| | MVD2 | 15W | 90-305V | 50-60Hz |
| CGL830 | 12D1 | 28W | 120V | 50-60Hz |
| | MVD2 | 28W | 90-305V | 47-63Hz |
| CGL840 | MVD2 | 38W | 90-305V | 47-63Hz |



Warranty

This complete fixture is covered by ConTech's full five (5) year replacement guarantee after date of purchase.

Listing

cCSAus Certified to UL standards. Suitable for damp locations.

Ordering Information

Example Order: - STEM(A)-S

| Fixture | LED Module | Color Temp | Electrical/Dimming | Shade | Mounting | Finish |
|----------------------|----------------------|----------------------|----------------------|----------------------|----------------------|----------------------|
| <input type="text"/> | <input type="text"/> | <input type="text"/> | <input type="text"/> | <input type="text"/> | <input type="text"/> | <input type="text"/> |

| | | | | | | |
|-------------|--|---|---|--|---|--|
| CGL8 | 23- 15W 30- 28W 40- 38W | 27K- 2700K 30K- 3000K 35K- 3500K | 12D1* - 120V with Triac Dimming MVD2 - 120V/277V with 0-10V Dimming <i>*15W and 28W Models Only</i> | A - Clear Prismatic Acrylic AL - Aluminum AM - Amber Glass B - Blue Glass R - Red Glass W - White Glass | FC - Flexible Cable Included RS - Rigid Stem* Sold Separately, See Below | B - Black Housing/Black Cord P - White Housing/White Cord S - Silver Housing/Black Cord |
|-------------|--|---|---|--|---|--|

Accessories

Rigid Stem Lengths for "RS" Mount Only 10 Ft. Maximum Allowable Stem Length

| | | |
|----------------------------------|----------------------------------|--|
| 6\"/> STEM(A)-(B,P,S) | 24\"/> STEM(A)-(B,P,S) | 48\"/> STEM(A)-(B,P,S) |
| 12\"/> STEM(A)-(B,P,S) | 30\"/> STEM(A)-(B,P,S) | COUPLING-(B,P,S) - External Coupling for Connecting Stems |
| 18\"/> STEM(A)-(B,P,S) | 36\"/> STEM(A)-(B,P,S) | CG8FAL - Frosted Acrylic Lens |

CGL8

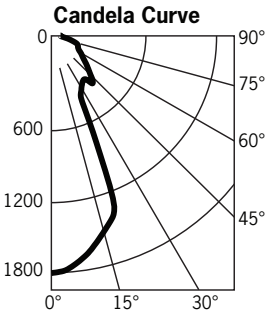
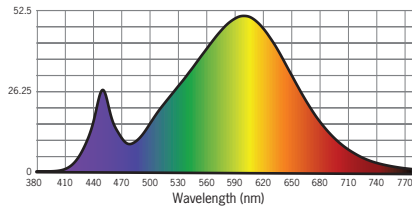
8" LED Performance Pendant

Photometrics

38W, 3000K: CGL84030KMVD2AFC

Designed for 50,000 Hour Lamp Life!; LM-63 Test No. 79682

Light Output (Fixture Delivered Lumens): 2638
 Total Watts@120V: 35.5
 Lumens Per Watt: 74.3
 Color Rendering Index (CRI)²: 80
 Color Temperature (CCT)³: 3094K Neutral White
 Spectral Power Distribution Chart⁴
 LM-79 Test No. 79686



| FROM 0 | CANDELA | LUMENS |
|--------|---------|--------|
| 0 | 1791 | |
| 5 | 1753 | 164 |
| 15 | 1524 | 429 |
| 25 | 515 | 312 |
| 35 | 411 | 267 |
| 45 | 369 | 297 |
| 55 | 232 | 235 |
| 65 | 157 | 195 |
| 75 | 76 | 125 |
| 85 | 44 | 65 |
| 95 | 59 | 62 |

| Intensity Distribution | | |
|------------------------|------------------|---------------------|
| DISTANCE (FT.) | FOOTCANDLES (FC) | BEAM DIAMETER (FT.) |
| 6' | 49.8 | 4.7 |
| 8' | 28.0 | 6.3 |
| 10' | 17.9 | 7.8 |
| 12' | 12.4 | 9.4 |
| 14' | 9.1 | 11.0 |
| 16' | 7.0 | 12.5 |

Beam Distribution: 45°

For 15W data, multiply results by .38
 For 28W data, multiply results by .67