

CTL116L

Low Voltage Flat Back Cylinder

Specifications/Features

Fixture

Designed for MR16 12V LED lamps and is ideal for residential, commercial and retail lighting applications.

A deep set die-cast baffle provides full cut-off to conceal lamp for visual comfort.

The "Sure-Set" yoke design firmly holds any aiming position without unsightly knobs and provides 350° rotation.

Includes preassembled track mounted transformer (LA2050NL); specifically designed to accommodate low wattage LED lamps.

Integral ON/OFF switch and track polarity indicator are standard on the transformer housing.

Lamp

50W MR16 Lamp or (1) MR16 LED Lamp, GU5.3 Base

This fixture can be used with a variety of MR16 LED Lamps. However, with the variances in these lamps, ConTech Lighting cannot be responsible, nor guarantee, that all MR16 LED lamps are universally compatible.

On fixtures designed for use with MR16 lamps, ConTech Lighting provides a clear, tempered safety glass. This safety glass should only be used with open MR16 lamps, and not used with MR16 lamps that contain an integral glass lens.

Electrical

Electronic Transformer

Input: 120V / 60Hz

Output: 12V

Rated Lamp Load: 2.5W min. to 60W max.

Dimming

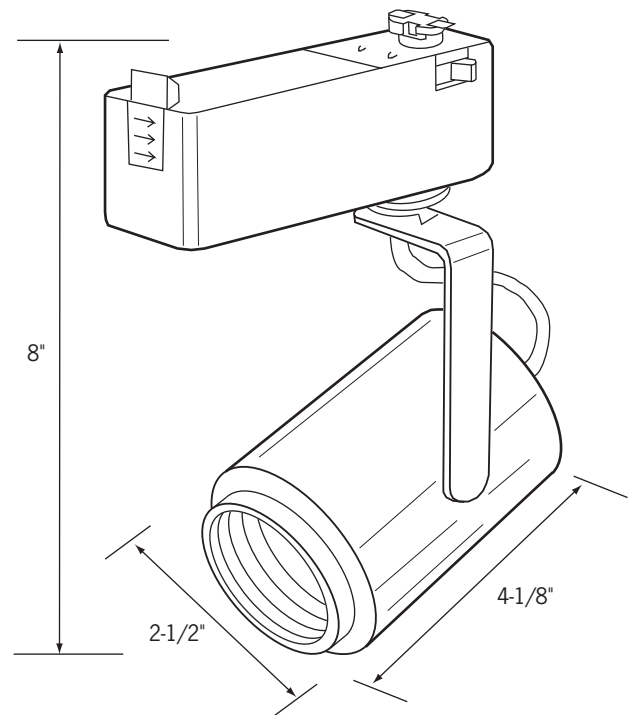
Dimmable to 10% with an electronic low-voltage (ELV) dimmer. Dimming performance may vary due to field conditions, including but not limited to, power quality, installation and wiring, and variations in dimmer production. Please reference the dimmer manufacturer's instructions for dimmer installation and further information.

Warranty

This fixture is covered by ConTech's full one (1) year replacement guarantee after date of purchase.

Listing

cCSAus Certified to UL standards. Suitable for dry locations.



Ordering Information

Example Order: -

Fixture

CTL116L

Finish

B - Black
P - White
S - Silver

Baffle Color

- Black (Leave Blank)

Accessories

LF16 - **A, B, CL, G, LB, R, RO, Y, 73, LS, SL, UV**
 2" Tempered glass lenses

BD16A - Barn Doors

FA-16 - Honeycomb Louver

LA-816 - Black Snoot

THS-16 - Thermal Heat Shield

Color/Pattern Legend

-A (Amber), **-B** (Blue), **-CL** (Clear), **-LB** (Light Blue),
-R (Red), **-RO** (Rose), **-Y** (Yellow), **-73** (Spread Lens),
-LS (Linear Spread Lens), **-SL** (Soft Light),
-UV (Optivex UV Filter)