

CTL116TL

Eclipse Low Voltage Track Fixture with Transformer

Specifications/Features

Fixture

Designed for MR16 12V LED lamps and is ideal for residential, commercial and retail lighting applications. The roundback cylinder design (aluminum housing) with a perforated steel back gives a high-tech look with sparkle. MR16 lamp (12V) and clear tempered safety lens are held in place by a metal spring clip that snaps into the regressed internal slot. Double steel yoke holds the fixture in position with two knobs. 358° aiming.

For use with single circuit track only.

Lamp

50W MR16 Lamp or (1) MR16 LED Lamp, GU5.3 Base
This fixture can be used with a variety of MR16 LED Lamps. However, with the variances in these lamps, ConTech Lighting cannot be responsible, nor guarantee, that all MR16 LED lamps are universally compatible. On fixtures designed for use with MR16 lamps, ConTech Lighting provides a clear, tempered safety glass. This safety glass should only be used with open MR16 lamps, and not used with MR16 lamps that contain an integral glass lens.

Electrical

Electronic Transformer
Input: 120V / 60Hz
Output: 12V
Rated Lamp Load: 2.5W min. to 60W max.

Dimming

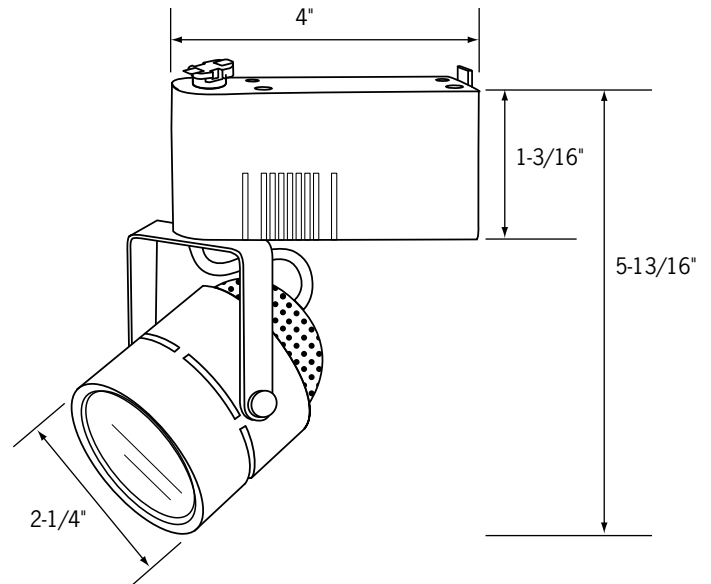
Dimmable to 10% with an electronic low-voltage (ELV) dimmer. Dimming performance may vary due to field conditions, including but not limited to, power quality, installation and wiring, and variations in dimmer production. Please reference the dimmer manufacturer's instructions for dimmer installation and further information.

Warranty

This fixture is covered by ConTech's full one (1) year replacement guarantee after date of purchase.

Listing

cCSAus Certified to UL standards. Suitable for dry locations.



Ordering Information

Example Order: -



CTL116TL

B - Black
P - White
S - Silver



LF16 - **A, B, CL, G, LB, R, RO, Y, 73, LS, SL, UV**
2" Tempered glass lenses

FA-16 - Honeycomb Louver
THS-16 - Thermal Heat Shield

Color/Pattern Legend

-A (Amber), **-B** (Blue), **-CL** (Clear), **-LB** (Light Blue), **-R** (Red), **-RO** (Rose), **-Y** (Yellow), **-73** (Spread Lens), **-LS** (Linear Spread Lens), **-SL** (Soft Light), **-UV** (Optivex UV Filter)