

CTL120ML

PAR20 LED Flat Back Cylinder Line Voltage Track Fixture

Specifications/Features

Fixture

Modern flat back design presents a crisp, high-tech silhouette. Deep set, black baffle provides lamp concealment for visual comfort. Integral ON/OFF switch and track polarity indicator are standard. Precise, rigid aiming. Full 350° rotation. Slender stem mount conceals wiring. Fixture will accept (1) LF20 lens, (1) LA-37 egg crate louver or BD20 barn doors by using FA-20 accessory holder.

Lamp

One (1) energy efficient 10W PAR20 Megaman LED lamp. Correlated Color Temperature of 2700K, 3000K, or 3500K; Color Rendering Index of 82. Correlated Color Temperature of 4000K, Color Rendering Index of 85. RoHS compliant, contains no lead or mercury. Designed to last 25,000 hours. 15° Beam spread with CBCP of 4200, Lumen output = 600 (60 LpW). 35° Beam spread with CBCP of 1800, Lumen output = 900 (90 LpW).

Dimming

Dimmable to 10% with forward phase/TRIAC dimming. For optimal performance, use forward phase/TRIAC dimmer specifically designed for LED lamps. Dimming performance may vary due to field conditions, including but not limited to, power quality, installation and wiring, and variations in dimmer production. Please reference the dimmer manufacturer's instructions for dimmer installation and further information.

Warranty

This fixture is covered by ConTech's full three (3) year replacement guarantee after date of purchase.

Listing

cCSAus Certified. Suitable for dry locations. RoHS compliant, contains no lead or mercury. 35° Lamps are Energy Star listed.

Fixture Compatibility

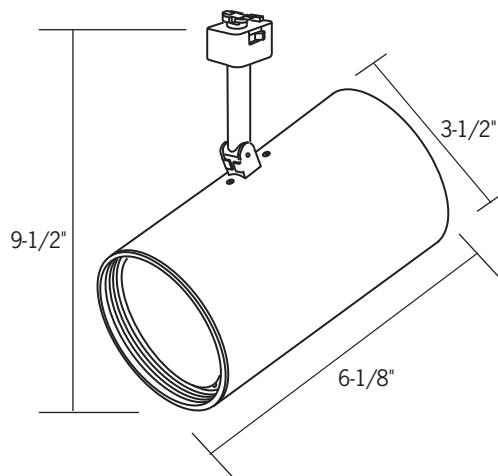
Standard ConTech track fixtures are cCSAus certified as-is for use with ConTech's many track systems, as well as with Juno^{®1} Lighting track. By changing the prefix in the part number, ConTech can install inserts which make our fixtures compatible with other manufacturers. Replace "CTL" with "HTL" for Halo^{®2} track, "LTL" for Lightolier^{®3} track, and "PTL" for Capri^{®4} track. For more information, please consult our factory.



10W 15° PAR20



10W 35° PAR20



Ordering Information

Example Order: -

Track System	Fixture	Lamp	Finish	Accessory Holder	Accessories
CTL - ConTech HTL - Halo LTL - Lightolier PTL - Capri	120	ML06-1527K - 15°, 600Lm, 2700K, 10W ML06-1530K - 15°, 600Lm, 3000K, 10W ML06-1535K - 15°, 600Lm, 3500K, 10W ML06-1540K - 15°, 600Lm, 4000K, 10W ML09-3527K - 35°, 900Lm, 2700K, 10W ML09-3530K - 35°, 900Lm, 3000K, 10W ML09-3535K - 35°, 900Lm, 3500K, 10W ML09-3540K - 35°, 900Lm, 4000K, 10W	B - Black P - White	FA-20-(B, P, S)	LF20 - A, B, CL, G, LB, R, RO, Y, 73, LS, SL, UV 3-3/4" Dia. tempered glass lenses LA-37-(B,P,S) - Egg-Crate Louver BD20 - Black Barn Doors Color/Pattern Legend -A (Amber), -B (Blue), -CL (Clear), -G (Green), -LB (Light Blue), -R (Red), -RO (Rose), -Y (Yellow), -73 (Spread Lens), -LS (Linear Spread Lens), -SL (Soft Light), -UV (Optivex UV Filter)

1. Juno is a registered trademark of Juno Lighting
 2. Halo is a registered trademark of Cooper Lighting
 3. Lightolier is a registered trademark of Philips Lighting
 4. Capri is a registered trademark of Philips Lighting