

# CTL1216ML

## Closed Back Track Fixture with 8W LED MR16 Lamp

### Specifications/Features

#### Fixture

LED compatible track fixture.  
Simple styling; durable die-cast aluminum construction.  
Closed back MR16 bullet design for front lamp replacement.  
Adjustable to 180° horizontal rotation; 180° vertical rotation.

#### Lamp

Energy efficient, 8W MR16 LED lamp.  
Designed to last 25,000 hours.  
Color management system maintains color consistency over time and temperature.  
Correlated Color Temperature of 2700K, 3000K, and 3500K, Color Rendering Index of 82.  
Correlated Color Temperature of 4000K, Color Rendering Index of 85.  
High CRI of 95+ available in 3000K.  
12° Lumen output = 450 (56 Lm/W)  
24° Lumen output = 600 (75 Lm/W), 520 (65Lm/W) for high CRI lamp  
36° Lumen output = 600 (75 Lm/W), 520 (65Lm/W) for high CRI lamp  
12° Beam spread with CBCP of 5,500.  
24° Beam spread with CBCP of 3,000; 2,550 for high CRI lamp.  
36° Beam spread with CBCP of 1,800; 1,300 for high CRI lamp.  
Durable die-cast aluminum housing with lens to protect the LEDs and reflector.

#### Dimming

Dimmable to 10% with an electronic low-voltage (ELV) dimmer. Dimming performance may vary due to field conditions, including but not limited to, power quality, installation and wiring, and variations in dimmer production. Please reference the dimmer manufacturer's instructions for dimmer installation and further information.

#### Electrical

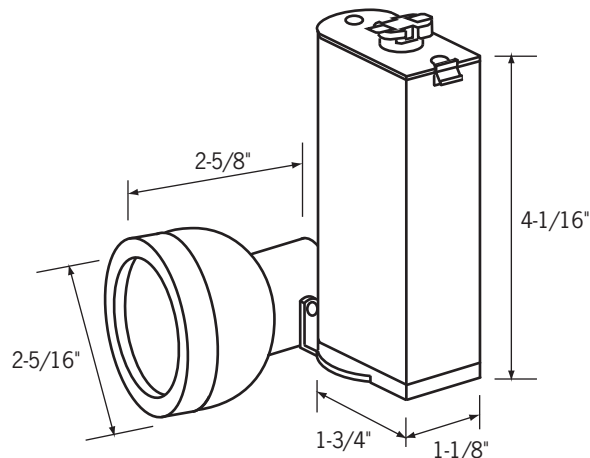
Electronic transformer (120/12V) with range from 0.6W - 60W.

#### Warranty

This fixture is covered by ConTech's full three (3) year replacement guarantee after date of purchase.

#### Listing

cCSAus Certified. Suitable for dry locations.  
Flood and Wide Flood lamps are Energy Star Listed.



### Ordering Information

Example Order:  –

Fixture	Lamp	Finish	Accessories*
<input type="text"/>	<input type="text"/>	<input type="text"/>	<input type="text"/>

- CTL1216**
- ML1227K** - 12°, 2700K, 82 CRI
  - ML1230K** - 12°, 3000K, 82 CRI
  - ML1235K** - 12°, 3500K, 82 CRI
  - ML1240K** - 12°, 4000K, 85 CRI
  - ML2427K** - 24°, 2700K, 82 CRI
  - ML2430K** - 24°, 3000K, 82 CRI
  - ML2435K** - 24°, 3500K, 82 CRI
  - ML2440K** - 24°, 4000K, 85 CRI
  - ML3627K** - 36°, 2700K, 82 CRI
  - ML3630K** - 36°, 3000K, 82 CRI
  - ML3635K** - 36°, 3500K, 82 CRI
  - ML3640K** - 36°, 4000K, 85 CRI
  - ML2430KC** - 24°, 3000K, 95 CRI
  - ML3630KC** - 36°, 3000K, 95 CRI

- B** - Black
- P** - White
- S** - Silver

- LF16** - A, B, CL, G, LB, R, RO, Y, 73, LS, SL, UV  
Tempered glass lenses
- FA-16** - Honeycomb Louver
- LA-816** - Black Snoot

*Color/Pattern Legend*  
-A (Amber), -B (Blue), -CL (Clear), -LB (Light Blue),  
-R (Red), -RO (Rose), -Y (Yellow), -73 (Spread Lens),  
-LS (Linear Spread Lens), -SL (Soft Light),  
-UV (Optivex UV Filter)

\*Using accessories with an LED lamp may reduce lamp life.