

CTL170, CTL171

Dimmable LED Wall Lighter

Specifications/Features

Fixture

High lumen output with excellent uniformity; well suited for any wall lighting application.

Extruded, finned aluminum housing with heat sink maintains a sleek appearance. Robust, cast aluminum end caps provide a heavy duty feel while blending seamlessly into the overall aesthetics of the fixture.

Highly efficient optical design utilizes premium materials for optimal performance. The specular reflector is constructed of 98% efficient Alanod, specifically designed for use with LEDs. A Solite tempered glass lens is used for diffusion and blending the LEDs.

The optional louver provides excellent cutoff and glare control.

Two mounting options. Swivel utilizes a single track connector and a heavy duty mounting yoke providing 360° horizontal rotation and 180° vertical adjustment with locking adjustment knobs. Fixed utilizes two (2) track connectors that position the fixture close to the ceiling.

Dimming is standard and allows continuous illumination down to 10%.

Lamp/Electrical

Light Engine consists of a linear PCB with 22 CREE XT-E high brightness LEDs providing excellent reliability and performance.

Excellent fixture-to-fixture color consistency with a 4-step MacAdam Ellipse tolerance. Available in the following color temperatures:

- 2700K; CRI: 80 min., 83 typical
- 3000K; CRI: 80 min., 83 typical
- 3500K; CRI: 80 min., 83 typical

System designed and rated for 50,000 hours at 70% lumen maintenance

Driver Specifications:

- 40W: Input Wattage 40W; Input Voltage: 120VAC.
- 56W: Input Wattage 56W; Input Voltage: 120VAC.

Warranty

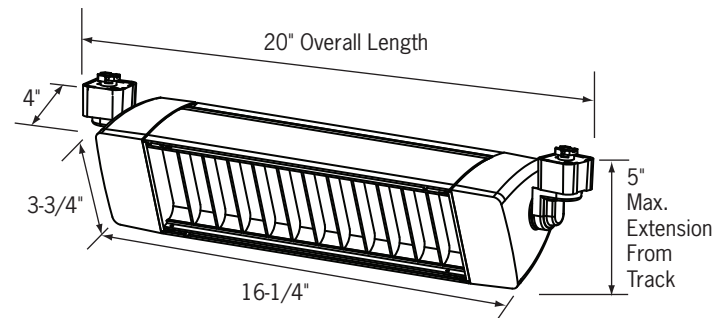
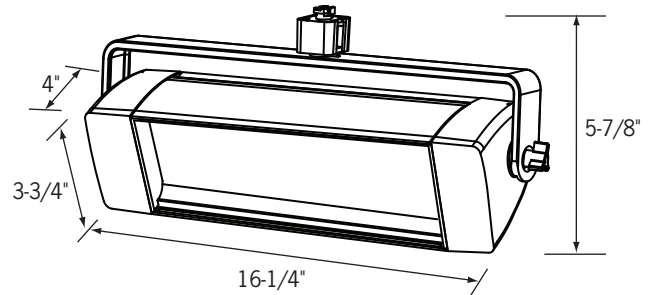
This fixture is covered by ConTech's full five (5) year replacement guarantee after date of purchase.

Listing

cCSAus Certified to UL Standards. Suitable for dry locations. Energy Star qualified.

Fixture Compatibility

Standard ConTech track fixtures are cCSAus Certified as-is for use with ConTech's many track systems, as well as with Juno® Lighting track. By changing the prefix in the part number, ConTech can install inserts which make our fixtures compatible with other manufacturers. Replace "CTL" with "HTL" for Halo® track, "LTL" for Lightolier® track, and "PTL" for Capri® track. For more information, please consult our factory.



Shown with optional louver accessory



Ordering Information

Example Order: -

Track System	Fixture	Orientation	Beam	Color Temp	Dimming	Finish	Accessories
CTL - ConTech	170 - 40W /	S - Swivel;	M - Medium	27 - 2700K	D - Dimming	B - Black	FA-42-B - Snap-In Louver, Black
HTL - Halo	2719Lm	1 Connector		3 - 3000K		P - White	FA-42-P - Snap-In Louver, White
LTL - Lightolier	171 - 56W/	F - Fixed;		35 - 3500K		S - Silver	FA-42-S - Snap-In Louver, Silver
PTL - Capri	3531Lm	2 Connectors					

1. Juno is a registered trademark of Juno Lighting
 2. Halo is a registered trademark of Cooper Lighting
 3. Lightolier is a registered trademark of Philips Lighting
 4. Capri is a registered trademark of Philips Lighting

CTL170, CTL171

Dimmable LED Wall Lighter

PHOTOMETRICS - CTL171FM3D

Footcandles on Wall																	
Track 3 Feet From Wall, 10' Mounting Height, Tilted 40 Degrees																	
Distance From Ceiling		Single Unit					Multiple Units										
		0'	1'	2'	3'	4'	5'	4' On Center		5' On Center		6' On Center					
		▼						▼	▼	▼	▼	▼	▼				
1'		95	75	42	20	10	5	110	76	110	101	51	100	92	48	92	
2'		118	101	65	34	18	9	169	144	168	152	99	151	147	78	146	
3'		107	94	65	40	23	13	171	154	169	148	114	148	115	83	115	
4'		67	61	47	32	21	12	122	117	119	102	90	101	69	57	68	
5'		37	34	28	21	14	10	73	73	71	60	58	59	41	38	40	
6'		21	20	17	14	10	7	46	46	44	38	38	37	26	26	25	
7'		12	12	11	9	7	5	31	30	29	25	25	25	18	18	17	
8'		8	8	7	6	5	4	21	21	20	18	18	17	13	13	13	
9'		5	5	5	4	4	3	15	15	15	13	13	13	10	10	9	
		▼ is the beam center															
Track 4 Feet From Wall, 10' Mounting Height, Tilted 40 Degrees																	
Distance From Ceiling		Single Unit					Multiple Units										
		0'	1'	2'	3'	4'	5'	4' On Center		5' On Center		6' On Center					
		▼						▼	▼	▼	▼	▼	▼				
1'		39	35	25	15	9	6	48	49	47	41	35	40	36	27	36	
2'		63	57	42	27	16	9	102	96	100	87	74	86	79	56	78	
3'		67	62	49	33	21	13	120	119	118	100	92	99	90	71	89	
4'		60	56	45	33	23	15	120	117	117	99	92	98	87	74	86	
5'		44	41	35	28	20	14	97	96	94	80	78	78	68	64	67	
6'		28	27	24	19	15	11	67	67	64	55	55	54	47	45	47	
7'		18	17	16	13	11	8	47	46	44	38	38	37	33	33	32	
8'		12	11	10	9	8	6	33	33	31	27	27	26	23	23	23	
9'		8	8	7	7	6	5	24	24	23	20	20	19	17	17	17	
		▼ is the beam center															

For 40W data, multiply results by .77

Light Output (Fixture Lumens): 3531
Total Watts@120V: 56
Lumens Per Watt: 63
Color Rendering Index (CRI)¹: 82
Color Temperature (CCT)²: 3050K Warm White
Spectral Power Distribution Chart³

