

CTL18 H

Stealth LED Wall Lighter Track Fixture

Specifications/Features

Fixture

High performance, eco-friendly LED track fixture delivering up to 5900 lumens in a smooth wide beam providing excellent uniformity; well suited for any wall lighting application.

Available in six (6) wattage/lumen options to provide the right light levels for any wall lighting application.

Cast and finned aluminum heatsink has been thermally engineered to provide optimal heat dissipation ensuring long life and consistent performance.

Dimming is available (120V only) and allows smooth illumination down to 1% utilizing Lutron Hi Lume driver option. For dimmer compatibility of standard "D" driver option, refer to [Dimming Specifications sheet](#).

Lockable, precision aiming adjustment: 360°+ aiming horizontal and 220° vertical rotation.

Integral ON/OFF switch and track polarity indicator are standard.

Can accept up to two (2) media by using the FA-18 Accessory Holder, FA-48 Snoot, FA-51 Visor or BD18 Barn Doors.

Lamp

Light engine consists of a single, high lumen output multi-chip LED array.

Available in the following color temperatures: 2700K, 3000K, 3500K and 4000K; CRI 80 min., 83 Typical. High CRI 90+ available.

Excellent fixture to fixture color consistency within a 3-step MacAdam Ellipse tolerance.

System designed and rated for 50,000 hours at 70% lumen maintenance.

Electrical

Nominal Wattage	Driver Option*	Input Wattage	Input Voltage	Frequency
20W/2200Lm	D	20W	120V-277V	50/60Hz
	D3	20W	120V	50/60Hz
28W/3000Lm	D	28W	120V-277V	50/60Hz
	D3	28W	120V	50/60Hz
35W/4100Lm	D	35W	120V-277V	50/60Hz
	D3	35W	120V	50/60Hz
41W/4700Lm	D	41W	120V-277V	50/60Hz
	D3	41W	120V	50/60Hz
47W/5400Lm	D	47W	120V-277V	50/60Hz
57W/5900Lm	D	57W	120V-277V	50/60Hz

*Dimmable at 120V only.

The CTL18 fixtures utilize drivers manufactured by ERP and Lutron. For additional information, please consult factory.

Warranty

This complete fixture is covered by ConTech's full five (5) year replacement guarantee after date of purchase.

Listing

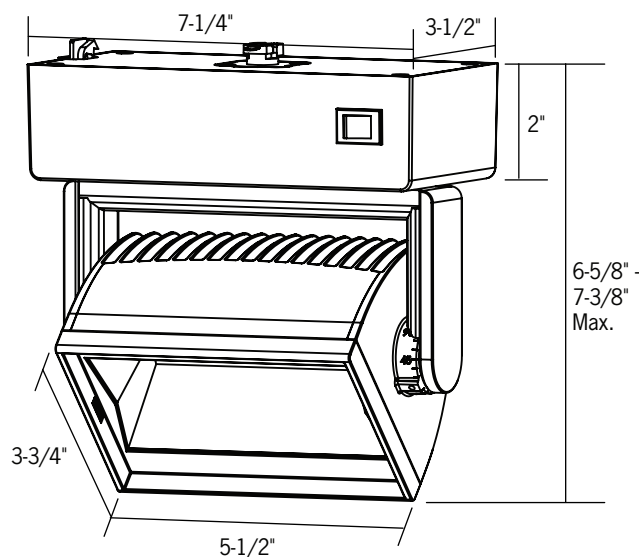
cCSAus Certified to UL standards. Suitable for dry locations.

Energy Star Listed.

Model CTL180H3D in all finishes is DLC Listed.

Fixture Compatibility

Standard ConTech track fixtures are cCSAus certified as-is for use with ConTech's many track systems, as well as with Juno^{®1} Lighting track. By changing the prefix in the part number, ConTech can install inserts which make our fixtures compatible with other manufacturers. Replace "CTL" with "HTL" for Halo^{®2} track, "LTL" for Lightolier^{®3} track, and "PTL" for Capri^{®4} track. For more information, please consult our factory.



1. Juno is a registered trademark of Juno Lighting
 2. Halo is a registered trademark of Cooper Lighting
 3. Lightolier is a registered trademark of Philips Lighting
 4. Capri is a registered trademark of Philips Lighting

CTL18 H

Stealth LED Wall Lighter Track Fixture

Ordering Information

Example Order: –

Track System	Fixture	Orientation	Color Temp	Driver Option	Finish	Accessories
<input type="text"/>	<input type="text"/>	<input type="text"/>	<input type="text"/>	<input type="text"/>	<input type="text"/>	<input type="text"/>
CTL - ConTech HTL - Halo LTL - Lightolier PTL - Capri	189 - 20W/2200Lm 180 - 28W/3000Lm 181 - 35W/4100Lm 182 - 41W/4700Lm 183 - 47W/5400Lm 184 - 57W/5900Lm	H - Horizontal	27 - 2700K 3 - 3000K 35 - 3500K 4 - 4000K 27C - 2700K, 90+ CRI 3C - 3000K, 90+ CRI 35C - 3500K, 90+ CRI 4C - 4000K, 90+ CRI	D - Dimming D3 - Lutron Hi-lume 1% 2-Wire LED Driver (120V Forward Phase Only) N/A 47W & 57W Fixture	B - Black P - White S - Silver	FA-18-(B,P,S) - Accessory Holder FA-48-(B,P,S) - Snoot/Access. Holder FA-51-(B,P,S) - Visor/Access. Holder BD18-(B,P,S) - Barn Doors/Access. Holder LF48-* - Tempered Glass Lenses* *Accessory Holder is required

**Color/Pattern Legend*

-**A** (Amber), -**B** (Blue), -**CL** (Clear), -**G** (Green), -**DPE** (Dichroic Peach), -**LB** (Light Blue),
 -**R** (Red), -**RO** (Rose), -**Y** (Yellow), -**73** (Spread Lens), -**LSV** (Linear Spread Lens, Vertical),
 -**LSH** (Linear Spread Lens, Horizontal), -**SL** (Soft Light), -**SOL** (Solite), -**UV** (Optivex UV Filter)

1. Juno is a registered trademark of Juno Lighting
 2. Halo is a registered trademark of Cooper Lighting
 3. Lightolier is a registered trademark of Philips Lighting
 4. Capri is a registered trademark of Philips Lighting

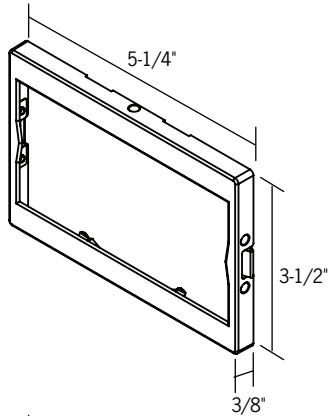
CTL18

Stealth LED Wall Lighter Track Luminaire Accessories

Catalog No. _____

Type _____

Project _____

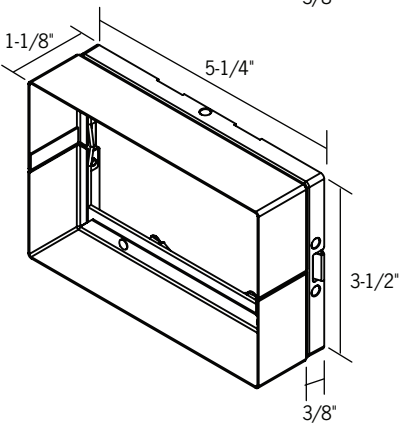


Accessory Holder

Will accept up to two (2) LF48 lenses or FA-52 louvers. Finish: B,P,S



FA-18

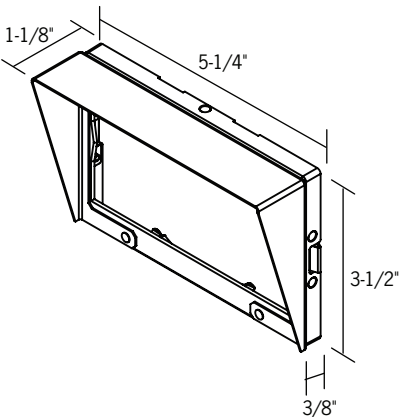


Snoot

Will accept up to two (2) LF48 lenses or FA-52 louvers. Finish: B,P,S, for P and S finishes, the inside surface is black.



FA-48

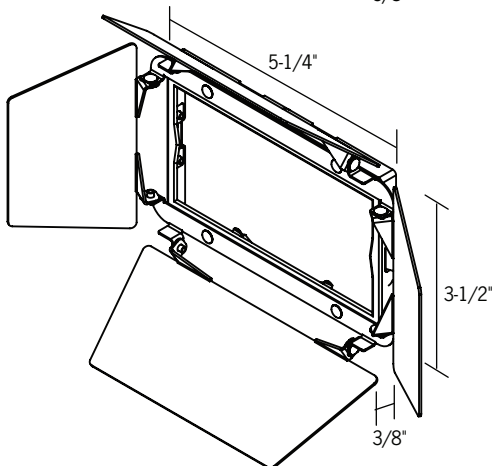


Visor

Will accept up to two (2) LF48 lenses or FA-52 louvers. Finish: B,P,S, for P and S finishes, the inside surface is black.



FA-51

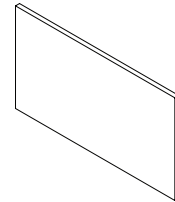


Barn Doors

Barn doors extend 3" max. from face of fixture. Width: 6" - 10-3/4", Height: 4-1/2" - 9". Will accept up to two (2) LF48 lenses or FA-52 louvers. Finish: B,P,S



BD18



Tempered Glass Lenses

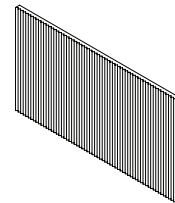
4-15/16" L x 2-3/4"H x 1/8" D



LF48 - (A, B, CL, DPE, G, LB, R, RO, Y, 73, SL, SOL, UV)

Color/Pattern Legend

-A (Amber), -B (Blue), -CL (Clear), -G (Green), -DPE (Dichroic Peach), -LB (Light Blue), -R (Red), -RO (Rose), -Y (Yellow), -73 (Spread Lens), -SL (Soft Light), -SOL (Solite), -UV (Optivex UV Filter)

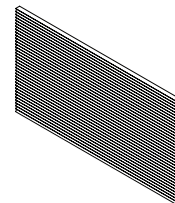


Linear Spread Lens, Horizontal

Linear spread glass with vertical ribs designed to elongate beams horizontally. 4-15/16" L x 2-3/4"H x 1/8" D

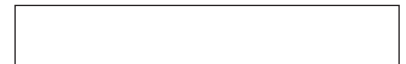


LF48-LSH

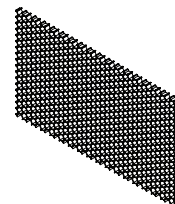


Linear Spread Lens, Vertical

Linear spread glass with horizontal ribs designed to elongate beams vertically. 4-15/16" L x 2-3/4"H x 1/8" D



LF48-LSV



Honeycomb Louver

Glare control and shielding accessory. 4-15/16" L x 2-3/4" H x 1/8" D



FA-52

CTL18 H

Stealth LED Wall Lighter Track Fixture

Photometrics: CTL184H3D-P 57W

Lumen output values fluctuate based on CCT and CRI. To estimate lumen output of the various CCT/CRI options, multiply 3000K (80 CRI min) results by the following:

CCT	Standard CRI	High CRI
2700K	.95	.74
3000K	N/A	.85
3500K	1.03	.89
4000K	1.07	.92

For 20W data multiply results by .37, for 28W data multiply results by .51, for 35W data multiply results by .69, for 41W data multiply results by .79, for 47W data multiply results by .91

Footcandles on Wall

Track 3 Feet From Wall, 10' Mounting Height, Tilted 40 Degrees																	
Distance From Ceiling		Single Unit						Multiple Units									
		0'	1'	2'	3'	4'	5'	4' On Center			6' On Center		8' On Center				
		▼						▼	▼	▼	▼	▼	▼				
1'		150	131	95	58	30	11	202	198	203	154	113	154	152	58	147	
2'		159	140	104	67	36	15	230	222	231	169	134	168	162	74	158	
3'		150	134	104	73	46	24	240	229	240	169	147	168	154	91	151	
4'		100	92	75	56	39	24	183	178	182	127	115	127	106	79	105	
5'		62	59	51	40	30	20	129	128	129	90	83	90	71	60	71	
6'		38	37	33	28	22	16	92	92	92	64	61	64	50	44	50	
7'		24	24	22	19	16	12	68	68	68	47	46	47	37	33	37	
8'		16	16	15	14	12	10	51	52	51	35	36	35	28	26	28	
9'		12	11	11	10	9	8	39	40	40	28	28	28	22	21	22	
		▼ is the beam center															

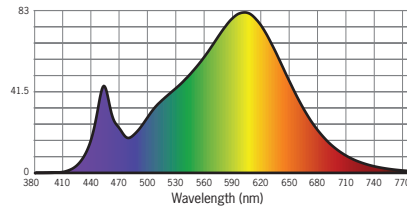
Track 4 Feet From Wall, 10' Mounting Height, Tilted 40 Degrees																	
Distance From Ceiling		Single Unit						Multiple Units									
		0'	1'	2'	3'	4'	5'	4' On Center			6' On Center		8' On Center				
		▼						▼	▼	▼	▼	▼	▼				
1'		81	74	61	44	28	16	136	134	136	94	89	94	84	56	83	
2'		95	87	71	53	35	21	168	165	169	116	109	116	100	72	99	
3'		105	97	81	62	44	29	199	196	199	137	127	137	112	90	112	
4'		86	80	68	54	41	29	178	178	178	124	114	124	97	83	97	
5'		63	60	53	44	34	26	146	146	145	101	94	101	78	70	78	
6'		44	43	39	33	27	21	114	114	113	78	75	78	61	55	61	
7'		31	30	28	24	20	17	87	88	87	60	59	60	48	43	47	
8'		22	21	20	18	15	13	68	69	68	47	48	47	37	35	37	
9'		15	15	14	13	12	10	55	56	55	39	39	39	30	29	30	
		▼ is the beam center															

*All multiple layouts are based on five fixtures aimed at 40 degrees from nadir.

Fixture Wattage	Total Watts @120V	Light Output (Fixture Delivered Lumens)	Lumens Per Watt	LM-63 Test #
20W	20.0W	2256Lm	121.8 Lm/W	
28W	28.0W	3038Lm	108.4 Lm/W	
35W	34.0W	4127Lm	121.4 Lm/W	85817
41W	40.7W	4741Lm	116.5 Lm/W	85818
47W	47.5W	5416Lm	114.0 Lm/W	85819
57W	56.3W	5951Lm	105.7 Lm/W	85513

Color Rendering Index (CRI)¹: 82
Color Temperature (CCT)²: 3131
Spectral Power Distribution Chart³

LM-79 Test: 85820



1. Accuracy of rendering colors
2. Color appearance of light source
3. Colors present within the light source