

CTL18 V

Stealth LED Wall Lighter Track Luminaire

Specifications/Features

Fixture

High performance, eco-friendly LED track fixture delivering up to 5900 lumens in a smooth wide beam providing excellent uniformity; well suited for any wall lighting application.

Available in six (6) wattage/lumen options to provide the right light levels for any wall lighting application.

Cast and finned aluminum heatsink has been thermally engineered to provide optimal heat dissipation ensuring long life and consistent performance.

Dimming is available (120V only) and allows smooth illumination down to 1% utilizing Lutron Hi Lume driver option. For dimmer compatibility of standard "D" driver option, refer to [Dimming Specifications sheet](#).

Lockable, precision aiming adjustment: 360°+ aiming horizontal and 360° vertical rotation.

Integral ON/OFF switch and track polarity indicator are standard.

Can accept up to two (2) media by using the FA-18 Accessory Holder, FA-48 Snoot, FA-51 Visor or BD18 Barn Doors.

Lamp

Light engine consists of a single, high lumen output multi-chip LED array.

Available in the following color temperatures: 2700K, 3000K, 3500K and 4000K; CRI 80 min., 83 Typical. High CRI 90+ available.

Excellent fixture to fixture color consistency within a 3-step MacAdam Ellipse tolerance.

System designed and rated for 50,000 hours at 70% lumen maintenance.

Electrical

| Nominal Wattage | Driver Option * | Input Wattage | Input Voltage | Frequency |
|-----------------|-----------------|---------------|---------------|-----------|
| 20W/2200Lm | D | 20W | 120V-277V | 50/60Hz |
| | D3 | 20W | 120V | 50/60Hz |
| 28W/3000Lm | D | 28W | 120V-277V | 50/60Hz |
| | D3 | 28W | 120V | 50/60Hz |
| 35W/4100Lm | D | 35W | 120V-277V | 50/60Hz |
| | D3 | 35W | 120V | 50/60Hz |
| 41W/4700Lm | D | 41W | 120V-277V | 50/60Hz |
| | D3 | 41W | 120V | 50/60Hz |
| 47W/5400Lm | D | 47W | 120V-277V | 50/60Hz |
| 57W/5900Lm | D | 57W | 120V-277V | 50/60Hz |

*Dimmable at 120V only.

The CTL18 fixtures utilize drivers manufactured by ERP and Lutron. For additional information, please consult factory.

Warranty

This complete fixture is covered by ConTech's full five (5) year replacement guarantee after date of purchase.

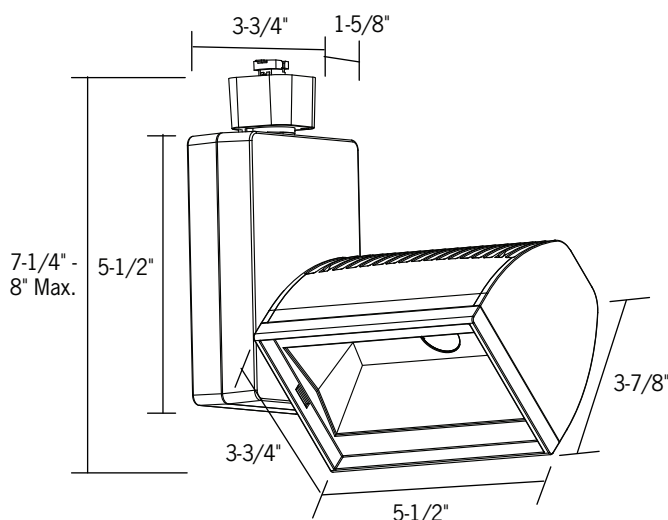
Listing

cCSAus Certified to UL standards. Suitable for dry locations.

Energy Star Listed.

Fixture Compatibility

Standard ConTech track fixtures are cCSAus certified as-is for use with ConTech's many track systems, as well as with Juno^{®1} Lighting track. By changing the prefix in the part number, ConTech can install inserts which make our fixtures compatible with other manufacturers. Replace "CTL" with "HTL" for Halo^{®2} track, "LTL" for Lightolier^{®3} track, and "PTL" for Capri^{®4} track. For more information, please consult our factory.



1. Juno is a registered trademark of Juno Lighting
 2. Halo is a registered trademark of Cooper Lighting
 3. Lightolier is a registered trademark of Philips Lighting
 4. Capri is a registered trademark of Philips Lighting

CTL18 V

Stealth LED Wall Lighter Track Luminaire

Ordering Information

Example Order: -

| Track System | Fixture | Orientation | Color Temp | Driver Option | Finish | Accessories |
|--|--|----------------------|--|---|---|---|
| <input type="text"/> | <input type="text"/> | <input type="text"/> | <input type="text"/> | <input type="text"/> | <input type="text"/> | <input type="text"/> |
| CTL - ConTech HTL - Halo LTL - Lightolier PTL - Capri | 189 - 20W/2200Lm 180 - 28W/3000Lm 181 - 35W/4100Lm 182 - 41W/4700Lm 183 - 47W/5400Lm 184 - 57W/5900Lm | V - Vertical | 27 - 2700K 3 - 3000K 35 - 3500K 4 - 4000K 27C - 2700K, 90+ CRI 3C - 3000K, 90+ CRI 35C - 3500K, 90+ CRI 4C - 4000K, 90+ CRI | D - Dimming D3 - Lutron Hi-lume 1% 2-Wire LED Driver (120V Forward Phase Only) N/A 47W & 57W Fixture | B - Black P - White S - Silver | FA-18-(B,P,S) - Accessory Holder FA-48-(B,P,S) - Snoot/Access. Holder FA-51-(B,P,S) - Visor/Access. Holder BD18-(B,P,S) - Barn Doors/Access. Holder LF48-*** - Tempered Glass Lenses* <i>*FA-18 is required</i> |
| <p>**Color/Pattern Legend -A (Amber), -B (Blue), -CL (Clear), -G (Green), -DPE (Dichroic Peach), -LB (Light Blue), -R (Red), -RO (Rose), -Y (Yellow), -73 (Spread Lens), -LSV (Linear Spread Lens, Vertical), -LSH (Linear Spread Lens, Horizontal), -SL (Soft Light), -SOL (Solite), -UV (Optivex UV Filter)</p> | | | | | | |

1. Juno is a registered trademark of Juno Lighting
 2. Halo is a registered trademark of Cooper Lighting
 3. Lightolier is a registered trademark of Philips Lighting
 4. Capri is a registered trademark of Philips Lighting

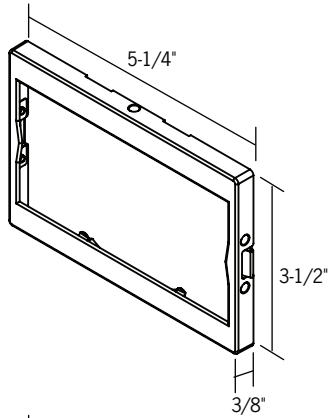
CTL18

Stealth LED Wall Lighter Track Luminaire Accessories

Catalog No. _____

Type _____

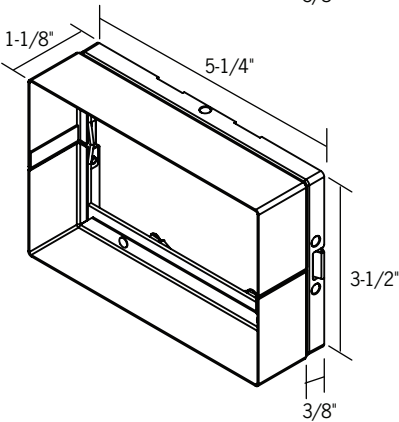
Project _____



Accessory Holder
 Will accept up to two (2) LF48 lenses or FA-52 louvers. Finish: B,P,S



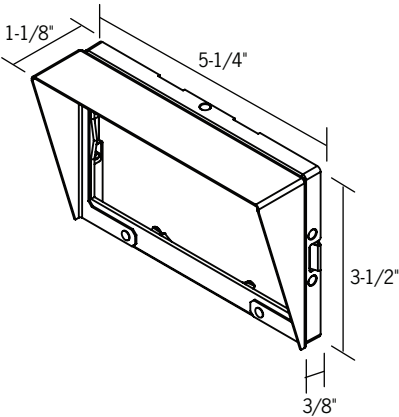
FA-18



Snoot
 Will accept up to two (2) LF48 lenses or FA-52 louvers. Finish: B,P,S, for P and S finishes, the inside surface is black.



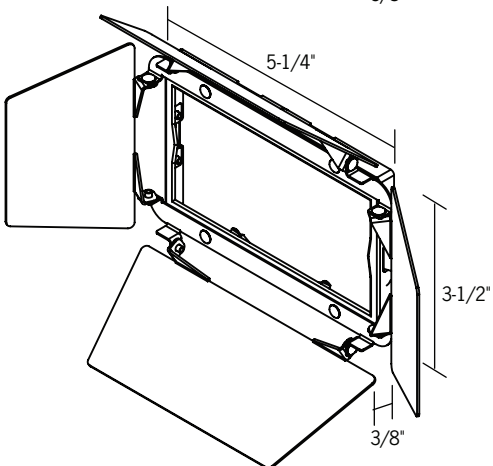
FA-48



Visor
 Will accept up to two (2) LF48 lenses or FA-52 louvers. Finish: B,P,S, for P and S finishes, the inside surface is black.



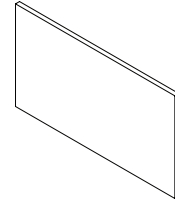
FA-51



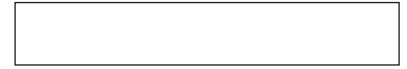
Barn Doors
 Barn doors extend 3" max. from face of fixture. Width: 6" - 10-3/4", Height: 4-1/2" - 9". Will accept up to two (2) LF48 lenses or FA-52 louvers. Finish: B,P,S



BD18

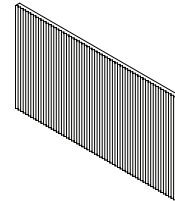


Tempered Glass Lenses
 4-15/16" L x 2-3/4"H x 1/8" D



LF48 - (A, B, CL, DPE, G, LB, R, RO, Y, 73, SL, SOL, UV)

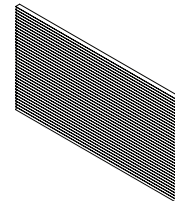
Color/Pattern Legend
 -A (Amber), -B (Blue), -CL (Clear), -G (Green), -DPE (Dichroic Peach), -LB (Light Blue), -R (Red), -RO (Rose), -Y (Yellow), -73 (Spread Lens), -SL (Soft Light), -SOL (Solite), -UV (Optivex UV Filter)



Linear Spread Lens, Horizontal
 Linear spread glass with vertical ribs designed to elongate beams horizontally. 4-15/16" L x 2-3/4"H x 1/8" D



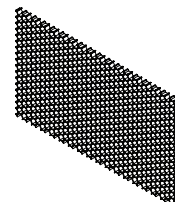
LF48-LSH



Linear Spread Lens, Vertical
 Linear spread glass with horizontal ribs designed to elongate beams vertically. 4-15/16" L x 2-3/4"H x 1/8" D



LF48-LSV



Honeycomb Louver
 Glare control and shielding accessory. 4-15/16" L x 2-3/4" H x 1/8" D



FA-52

CTL18 V

Stealth LED Wall Lighter Track Luminaire

Photometrics: CTL184V3D-P 57W

Lumen output values fluctuate based on CCT and CRI. To estimate lumen output of the various CCT/CRI options, multiply 3000K (80 CRI min) results by the following:

| CCT | Standard CRI | High CRI |
|-------|--------------|----------|
| 2700K | .95 | .74 |
| 3000K | N/A | .85 |
| 3500K | 1.03 | .89 |
| 4000K | 1.07 | .92 |

For 20W data multiply results by .37, for 28W data multiply results by .51, for 35W data multiply results by .69, for 41W data multiply results by .79, for 47W data multiply results by .91

Footcandles on Wall

Track 3 Feet From Wall, 10' Mounting Height, Tilted 40 Degrees

| Distance From Ceiling | Single Unit | | | | | | Multiple Units | | | | | | | | |
|-----------------------|-------------|-----|-----|----|----|----|----------------|-----|--------------|-----|--------------|-----|-----|----|-----|
| | 0' | 1' | 2' | 3' | 4' | 5' | 4' On Center | | 6' On Center | | 8' On Center | | | | |
| | ▼ | | | | | | ▼ | ▼ | ▼ | ▼ | ▼ | ▼ | | | |
| 1' | 150 | 131 | 95 | 58 | 30 | 11 | 202 | 198 | 203 | 154 | 113 | 154 | 152 | 58 | 147 |
| 2' | 159 | 140 | 104 | 67 | 36 | 15 | 230 | 222 | 231 | 169 | 134 | 168 | 162 | 74 | 158 |
| 3' | 150 | 134 | 104 | 73 | 46 | 24 | 240 | 229 | 240 | 169 | 147 | 168 | 154 | 91 | 151 |
| 4' | 100 | 92 | 75 | 56 | 39 | 24 | 183 | 178 | 182 | 127 | 115 | 127 | 106 | 79 | 105 |
| 5' | 62 | 59 | 51 | 40 | 30 | 20 | 129 | 128 | 129 | 90 | 83 | 90 | 71 | 60 | 71 |
| 6' | 38 | 37 | 33 | 28 | 22 | 16 | 92 | 92 | 92 | 64 | 61 | 64 | 50 | 44 | 50 |
| 7' | 24 | 24 | 22 | 19 | 16 | 12 | 68 | 68 | 68 | 47 | 46 | 47 | 37 | 33 | 37 |
| 8' | 16 | 16 | 15 | 14 | 12 | 10 | 51 | 52 | 51 | 35 | 36 | 35 | 28 | 26 | 28 |
| 9' | 12 | 11 | 11 | 10 | 9 | 8 | 39 | 40 | 40 | 28 | 28 | 28 | 22 | 21 | 22 |

▼ is the beam center

Track 4 Feet From Wall, 10' Mounting Height, Tilted 40 Degrees

| Distance From Ceiling | Single Unit | | | | | | Multiple Units | | | | | | | | |
|-----------------------|-------------|----|----|----|----|----|----------------|-----|--------------|-----|--------------|-----|-----|----|-----|
| | 0' | 1' | 2' | 3' | 4' | 5' | 4' On Center | | 6' On Center | | 8' On Center | | | | |
| | ▼ | | | | | | ▼ | ▼ | ▼ | ▼ | ▼ | ▼ | | | |
| 1' | 81 | 74 | 61 | 44 | 28 | 16 | 136 | 134 | 136 | 94 | 89 | 94 | 84 | 56 | 83 |
| 2' | 95 | 87 | 71 | 53 | 35 | 21 | 168 | 165 | 169 | 116 | 109 | 116 | 100 | 72 | 99 |
| 3' | 105 | 97 | 81 | 62 | 44 | 29 | 199 | 196 | 199 | 137 | 127 | 137 | 112 | 90 | 112 |
| 4' | 86 | 80 | 68 | 54 | 41 | 29 | 178 | 178 | 178 | 124 | 114 | 124 | 97 | 83 | 97 |
| 5' | 63 | 60 | 53 | 44 | 34 | 26 | 146 | 146 | 145 | 101 | 94 | 101 | 78 | 70 | 78 |
| 6' | 44 | 43 | 39 | 33 | 27 | 21 | 114 | 114 | 113 | 78 | 75 | 78 | 61 | 55 | 61 |
| 7' | 31 | 30 | 28 | 24 | 20 | 17 | 87 | 88 | 87 | 60 | 59 | 60 | 48 | 43 | 47 |
| 8' | 22 | 21 | 20 | 18 | 15 | 13 | 68 | 69 | 68 | 47 | 48 | 47 | 37 | 35 | 37 |
| 9' | 15 | 15 | 14 | 13 | 12 | 10 | 55 | 56 | 55 | 39 | 39 | 39 | 30 | 29 | 30 |

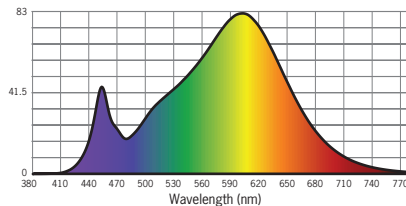
▼ is the beam center

*All multiple layouts are based on five fixtures aimed at 40 degrees from nadir.

| Fixture Wattage | Total Watts @120V | Light Output (Fixture Delivered Lumens) | Lumens Per Watt | LM-63 Test # |
|-----------------|-------------------|---|-----------------|--------------|
| 20W | 20.0W | 2256Lm | 121.8 Lm/W | |
| 28W | 28.0W | 3038Lm | 108.4 Lm/W | |
| 35W | 34.0W | 4127Lm | 121.4 Lm/W | 85817 |
| 41W | 40.7W | 4741Lm | 116.5 Lm/W | 85818 |
| 47W | 47.5W | 5416Lm | 114.0 Lm/W | 85819 |
| 57W | 56.3W | 5951Lm | 105.7 Lm/W | 85513 |

Color Rendering Index (CRI)¹: 82
 Color Temperature (CCT)²: 3131
 Spectral Power Distribution Chart³

LM-79 Test: 85820



1. Accuracy of rendering colors
2. Color appearance of light source
3. Colors present within the light source