

CTL2016ML

Round Back Cylinder Track Fixture with 8W LED MR16 Lamp

Specifications/Features

Fixture

Compact fixture utilizes MR16 lamps for exceptional color, efficiency, and beam control. Clean, contemporary styling with a Solid State 120V - 12V transformer concealed in the yoke.

The "Sure-Set" yoke design firmly holds any aiming position without unsightly knobs and provides 350° rotation.

A deep set die-cast black baffle provides full cut-off.

Integral ON/OFF switch and track polarity indicator are standard.

Lamp

Energy efficient, 8W MR16 LED lamp.

Designed to last 25,000 hours.

Color management system maintains color consistency over time and temperature.

Correlated Color Temperature of 2700K, 3000K, and 3500K, Color Rendering Index of 82.

Correlated Color Temperature of 4000K, Color Rendering Index of 85.

High CRI of 95+ available in 3000K.

12° Lumen output = 450 (56 Lm/W)

24° Lumen output = 600 (75 Lm/W), 520 (65Lm/W) for high CRI lamp

36° Lumen output = 600 (75 Lm/W), 520 (65Lm/W) for high CRI lamp

12° Beam spread with CBCP of 5,500.

24° Beam spread with CBCP of 3,000; 2,550 for high CRI lamp.

36° Beam spread with CBCP of 1,800; 1,300 for high CRI lamp.

Durable die-cast aluminum housing with lens to protect the LEDs and reflector.

Transformer is RFI shielded to FCC standards.

Dimming

Dimmable to 10% with an electronic low-voltage (ELV) dimmer. Dimming performance may vary due to field conditions, including but not limited to, power quality, installation and wiring, and variations in dimmer production. Please reference the dimmer manufacturer's instructions for dimmer installation and further information.

Warranty

This fixture is covered by ConTech's full three (3) year replacement guarantee after date of purchase.

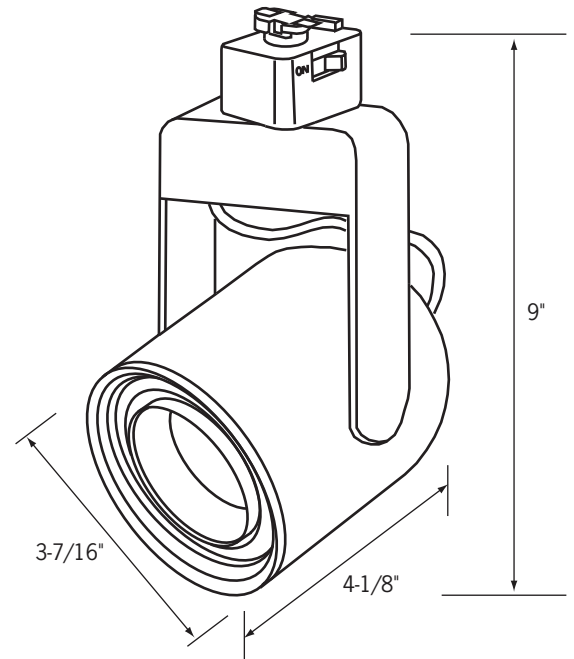
Listing

cCSAus Certified. Suitable for dry locations.

Flood and Wide Flood lamps are Energy Star Listed.

Fixture Compatibility

Standard ConTech track fixtures are cCSAus Certified as-is for use with ConTech's many track systems, as well as with Juno^{®1} Lighting track. By changing the prefix in the part number, ConTech can install inserts which make our fixtures compatible with other manufacturers. Replace "CTL" with "HTL" for Halo^{®2} track, "LTL" for Lightolier^{®3} track, and "PTL" for Capri^{®4} track. For more information, please consult our factory.



Ordering Information

Example Order: -

Track System	Fixture	Lamp	Finish	Accessories *
<input type="text"/>	<input type="text"/>	<input type="text"/>	<input type="text"/>	<input type="text"/>

CTL - ConTech
HTL - Halo
LTL - Lightolier
PTL - Capri

2016

ML1227K - 12°, 2700K, 82 CRI
ML1230K - 12°, 3000K, 82 CRI
ML1235K - 12°, 3500K, 82 CRI
ML1240K - 12°, 4000K, 85 CRI
ML2427K - 24°, 2700K, 82 CRI
ML2430K - 24°, 3000K, 82 CRI
ML2435K - 24°, 3500K, 82 CRI
ML2440K - 24°, 4000K, 85 CRI
ML3627K - 36°, 2700K, 82 CRI
ML3630K - 36°, 3000K, 82 CRI
ML3635K - 36°, 3500K, 82 CRI
ML3640K - 36°, 4000K, 85 CRI
ML2430KC - 24°, 3000K, 95 CRI
ML3630KC - 36°, 3000K, 95 CRI

B - Black
P - White

LF16 - **A, B, CL, G, LB, R, RO, Y, 73, LS, SL, UV**
Tempered glass lenses

Color/Pattern Legend
-A (Amber), **-B** (Blue), **-CL** (Clear), **-LB** (Light Blue),
-R (Red), **-RO** (Rose), **-Y** (Yellow), **-73** (Spread Lens),
-LS (Linear Spread Lens), **-SL** (Soft Light),
-UV (Optivex UV Filter)

*Using accessories with an LED lamp may reduce lamp life.

1. Juno is a registered trademark of Juno Lighting
2. Halo is a registered trademark of Cooper Lighting
3. Lightolier is a registered trademark of Philips Lighting
4. Capri is a registered trademark of Philips Lighting