

# CTL216GU10ML

## Mini Round Back Cylinder Line Voltage Track Fixture with LED PAR16 Lamp, GU10 Base

### Specifications/Features

#### Fixture

Compact, round back cylinder lampholder designed for use with Halogen or LED PAR16 or MR16 lamps with GU10 twist and lock lamp base. Ideal for accent lighting in retail, commercial or residential applications. Deep, black phenolic baffle to conceal lamp and provide glare control. Integral ON/OFF switch and spring loaded latch with embossed track polarity indicator are standard.

#### Lamp

Energy efficient, 6W or 7W PAR16 LED lamp  
Designed to last 25,000 hours  
Correlated Color Temperature of 2700K, 3000K, or 3500K, with Color Rendering Index of 82  
Correlated Color Temperature of 4000K, Color Rendering Index of 85

#### 6W PAR16 Lamp

Lumen output = 550 (92 Lumens per Watt)  
24° Beam spread with CBCP of 2100  
35° Beam spread with CBCP of 1240

#### 7W PAR16 Lamp

Lumen output = 530 (75.7 Lumens per Watt)  
35° Beam spread with Max.Luminous Intensity (cd) of 600  
Durable die-cast aluminum housing with lens to protect the LEDs and reflector  
RoHS compliant, contains no lead or mercury

#### Dimming

Dimmable to 10% with forward phase/TRIAC dimming. For optimal performance, use forward phase/TRIAC dimmer specifically designed for LED lamps. Dimming performance may vary due to field conditions, including but not limited to, power quality, installation and wiring, and variations in dimmer production. Please reference the dimmer manufacturer's instructions for dimmer installation and further information.

#### Warranty

This fixture is covered by ConTech's full three (3) year replacement guarantee after date of purchase.

#### Listing

cCSAus Certified to UL standards. Suitable for dry locations.



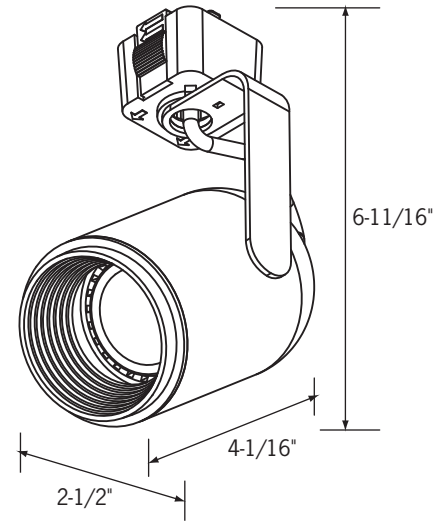
6W PAR16, 24°



6W PAR16, 35°



7W PAR16, 35°



#### Fixture Compatibility

Standard ConTech track fixtures are cCSAus Certified as-is for use with ConTech's many track systems, as well as with Juno®1 Lighting track. By changing the prefix in the part number, ConTech can install inserts which make our fixtures compatible with other manufacturers. Replace "CTL" with "HTL" for Halo®2 track, "LTL" for Lightolier®3 track, and "PTL" for Capri®4 track. For more information, please consult our factory.

### Ordering Information

Example Order:  —

Track System	Fixture	Lamp	Finish	Accessories*
<input type="text"/>	<input type="text"/>	<input type="text"/>	<input type="text"/>	<input type="text"/>

**CTL** - ConTech  
**HTL** - Halo  
**LTL** - Lightolier  
**PTL** - Capri

**216GU10**

**ML06-2427K** - 6W, 24°, 2700K  
**ML06-2430K** - 6W, 24°, 3000K  
**ML06-2435K** - 6W, 24°, 3500K  
**ML06-2440K** - 6W, 24°, 4000K  
**ML06-3527K** - 6W, 35°, 2700K  
**ML06-3530K** - 6W, 35°, 3000K  
**ML06-3535K** - 6W, 35°, 3500K  
**ML06-3540K** - 6W, 35°, 4000K  
**ML3527K** - 7W, 35°, 2700K  
**ML3530K** - 7W, 35°, 3000K  
**ML3540K** - 7W, 35°, 4000K

**B** - Black  
**P** - White  
**S** - Silver

**LF16** - A, B, CL, G, LB, R, RO, Y, 73, LS, SL, UV

2" Tempered glass lenses

**FA-16 50MM** - Honeycomb Louver

**LA-816** - Black Snoot

**THS-16** - Thermal Heat Shield

Color/Pattern Legend

**-A** (Amber), **-B** (Blue), **-CL** (Clear), **-LB** (Light Blue), **-R** (Red), **-RO** (Rose), **-Y** (Yellow), **-73** (Spread Lens), **-LS** (Linear Spread Lens), **-SL** (Soft Light), **-UV** (Optivex UV Filter)

\*Using lens accessories with an LED lamp may reduce lamp life

1. Juno is a registered trademark of Juno Lighting  
2. Halo is a registered trademark of Cooper Lighting  
3. Lightolier is a registered trademark of Philips Lighting  
4. Capri is a registered trademark of Philips Lighting