

CTL610ML

Ultimate Universal Line Voltage Track Fixture with PAR30S or PAR38 LED Lamp

Specifications/Features

Fixture

Low profile side swivel design with modular component flexibility, "Sure-Set" swivel for precise aiming. Molded of durable Lexan™ 940. Integral ON/OFF switch and track polarity indicator are standard.

Dimming

Dimmable to 10% with forward phase/TRIAC dimming. For optimal performance, use forward phase / TRIAC dimmer specifically designed for LED lamps. Dimming performance may vary due to field conditions, including but not limited to, power quality, installation and wiring, and variations in dimmer production. Please reference the dimmer manufacturer's instructions for dimmer installation and further information.

Warranty

This fixture is covered by ConTech's full three (3) year replacement guarantee after date of purchase.

Listing

cULus listed. Suitable for dry locations. Lamps are Energy Star listed (except 15W PAR38 lamp).

Fixture Compatibility

Standard ConTech track fixtures are cCSAus Certified as-is for use with ConTech's many track systems, as well as with Juno®¹ Lighting track. By changing the prefix in the part number, ConTech can install inserts which make our fixtures compatible with other manufacturers. Replace "CTL" with "HTL" for Halo®² track, "LTL" for Lightolier®³ track, and "PTL" for Capri®⁴ track. For more information, please consult our factory.

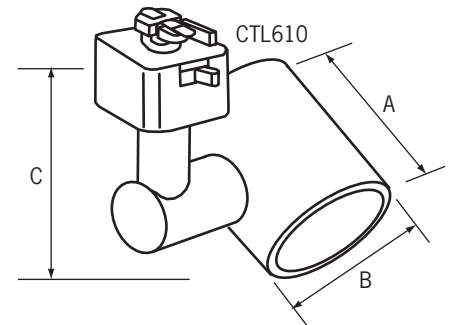
Lamp/Light Output (Performance)

Megaman LED lamp designed to last 25,000 hours
 RoHS compliant, contains no lead or mercury

Lamp Type	Lumens	CBCP	Base	CCT	CRI	W	LPW
PAR30S 35 Degree	800	2200	E26	2700K, 3000K 3500K, 4000K	82+	10.5W	76LpW
PAR30S 25 Degree	1300	4000	E26	2700K, 3000K 3500K, 4000K	82+	14.5W	90LpW
PAR30S 25 Degree	1100	3500	E26	3000K	95	14.5W	76LpW
PAR38 10 Degree	1150	20,000	E26	2700K, 3000K 3500K, 4000K	82+	15W	73LpW
PAR38 25 Degree	1400	8700	E26	2700K, 3000K 3500K, 4000K	82+	18W	78LpW
PAR38 45 Degree	1400	2950	E26	2700K, 3000K 3500K, 4000K	82+	18W	78LpW
PAR38 25 Degree	1200	7400	E26	3000K	95	18W	67LpW
PAR38 45 Degree	1200	2380	E26	3000K	95	18W	67LpW
PAR38 35 Degree	2100	7000	E26	2700K, 3000K 3500K, 4000K	82+	20W	105LpW
PAR38 20 Degree	2800	15,000	E26	2700K, 3000K 3500K, 4000K	82+	30W	93LpW
PAR38 40 Degree	3000	5500	E26	2700K, 3000K 3500K, 4000K	82+	30W	100LpW
PAR38 20 Degree	2350	12,500	E26	3000K	95	30W	78LpW
PAR38 40 Degree	2550	4650	E26	3000K	95	30W	85LpW



CTL610 with PAR38 Lamp



DIMENSIONS			
Model	A	B	C
CTL610	2-3/4"	2-1/4"	4-7/8"
CTL610/LA630	4-3/4"	4-3/4"	7"
CTL610/LA638	3-3/4"	2-1/4"	5-3/4"
CTL610/LA6838	6-7/8"	5-7/8"	9"



PAR30S
10.5W



PAR30S
14.5W



PAR38
10-Degree



PAR38
25-Degree



PAR38
35-Degree



PAR38
45-Degree



PAR38
20-Degree



PAR38
40-Degree

1. Juno is a registered trademark of Juno Lighting
 2. Halo is a registered trademark of Cooper Lighting
 3. Lightolier is a registered trademark of Philips Lighting
 4. Capri is a registered trademark of Philips Lighting

CTL610ML

Ultimate Universal Line Voltage Track Fixture
 with PAR30S or PAR38 LED Lamp

Ordering Information

Example Order: -

Track System	Fixture	Lamp	Finish	Lampshade
<input type="text"/>	<input type="text"/>	<input type="text"/>	<input type="text"/>	<input type="text"/>

CTL - ConTech
HTL - Halo
LTL - Lightolier
PTL - Capri

610

- ML08D-3527K** - 10.5W PAR30S, 35°, 2700K, 82 CRI
- ML08D-3530K** - 10.5W PAR30S, 35°, 3000K, 82 CRI
- ML08D-3535K** - 10.5W PAR30S, 35°, 3500K, 82 CRI
- ML08D-3540K** - 10.5W PAR30S, 35°, 4000K, 82 CRI
- ML13D-2527K** - 14.5W PAR30S, 25°, 2700K, 82 CRI
- ML13D-2530K** - 14.5W PAR30S, 25°, 3000K, 82 CRI
- ML13D-2535K** - 14.5W PAR30S, 25°, 3500K, 82 CRI
- ML13D-2540K** - 14.5W PAR30S, 25°, 4000K, 82 CRI
- ML11D-2530KC** - 14.5W PAR30S, 25°, 3000K, 95 CRI
- ML11D-1027K** - 15W PAR38, 10°, 2700K, 82 CRI
- ML11D-1030K** - 15W PAR38, 10°, 3000K, 82 CRI
- ML11D-1035K** - 15W PAR38, 10°, 3500K, 82 CRI
- ML11D-1040K** - 15W PAR38, 10°, 4000K, 85 CRI
- ML14D-2527K** - 18W PAR38, 25°, 2700K, 82 CRI
- ML14D-2530K** - 18W PAR38, 25°, 3000K, 82 CRI
- ML14D-2535K** - 18W PAR38, 25°, 3500K, 82 CRI
- ML14D-2540K** - 18W PAR38, 25°, 4000K, 85 CRI
- ML14D-4527K** - 18W PAR38, 45°, 2700K, 82 CRI
- ML14D-4530K** - 18W PAR38, 45°, 3000K, 82 CRI
- ML14D-4535K** - 18W PAR38, 45°, 3500K, 82 CRI
- ML14D-4540K** - 18W PAR38, 45°, 4000K, 85 CRI
- ML12D-2530KC** - 18W PAR38, 25°, 3000K, 95 CRI
- ML12D-4530KC** - 18W PAR38, 45°, 3000K, 95 CRI
- ML21D-3527K** - 20W PAR38, 35°, 2700K, 82 CRI
- ML21D-3530K** - 20W PAR38, 35°, 3000K, 82 CRI
- ML21D-3535K** - 20W PAR38, 35°, 3500K, 82 CRI
- ML21D-3540K** - 20W PAR38, 35°, 4000K, 85 CRI
- ML28D-2027K** - 30W PAR38, 20°, 2700K, 82 CRI
- ML28D-2030K** - 30W PAR38, 20°, 3000K, 82 CRI
- ML28D-2035K** - 30W PAR38, 20°, 3500K, 82 CRI
- ML28D-2040K** - 30W PAR38, 20°, 4000K, 85 CRI
- ML30D-4027K** - 30W PAR38, 40°, 2700K, 82 CRI
- ML30D-4030K** - 30W PAR38, 40°, 3000K, 82 CRI
- ML30D-4035K** - 30W PAR38, 40°, 3500K, 82 CRI
- ML30D-4040K** - 30W PAR38, 40°, 4000K, 85 CRI
- ML24D-2030KC** - 30W PAR38, 20°, 3000K, 95 CRI
- ML26D-4030KC** - 30W PAR38, 40°, 3000K, 95 CRI

B - Black
P - White
S - Silver

LA630-(B,P,S) - PAR30 Shade
LA6838-(B,P,S) - PAR38 Shade
LA638-(B,P,S) - Lamp Collar for PAR38 lamps

1. Juno is a registered trademark of Juno Lighting
 2. Halo is a registered trademark of Cooper Lighting
 3. Lightolier is a registered trademark of Philips Lighting
 4. Capri is a registered trademark of Philips Lighting