

# CTL6116GU10ML

**Tapered Cone Line Voltage Track Fixture with LED PAR16 Lamp, GU10 Base**

## Specifications/Features

### Fixture

Low profile molded side swivel design with "Sure-Set" precise aiming. Front relamping, short barreled tapered cone lampholder assembly is made of formed steel.

Integral ON/OFF switch and track polarity indicator are standard. Will accept (1) LF16 67MM lens by using FA-37A black accessory mounting clips.

Satin Chrome finish includes black track adapter and fixture arm.

### Dimming

Dimmable to 10% with forward phase/TRIAC dimming. For optimal performance, use forward phase/TRIAC dimmer specifically designed for LED lamps. Dimming performance may vary due to field conditions, including but not limited to, power quality, installation and wiring, and variations in dimmer production. Please reference the dimmer manufacturer's instructions for dimmer installation and further information.

### Warranty

This fixture is covered by ConTech's full three (3) year replacement guarantee after date of purchase.

### Listing

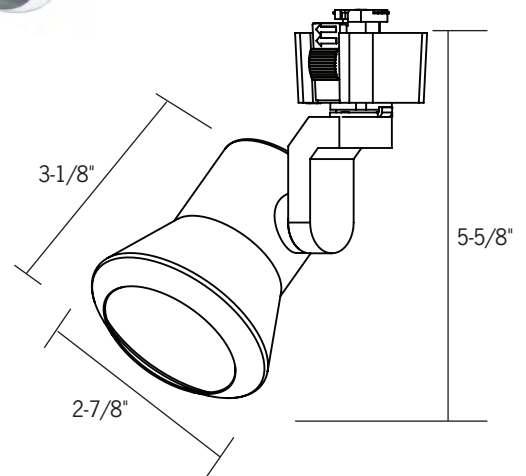
cCSAus Certified to UL standards. Suitable for dry locations. 6W Lamps are Energy Star listed.

### Fixture Compatibility

Standard ConTech track fixtures are cCSAus Certified as-is for use with ConTech's many track systems, as well as with Juno<sup>®1</sup> Lighting track. By changing the prefix in the part number, ConTech can install inserts which make our fixtures compatible with other manufacturers. Replace "CTL" with "HTL" for Halo<sup>®2</sup> track, "LTL" for Lightolier<sup>®3</sup> track, and "PTL" for Capri<sup>®4</sup> track. For more information, please consult our factory.

### Lamp

Energy efficient Megaman lamp designed to last 25,000 hours. RoHS compliant, contains no lead or mercury.



7W PAR16, 35°



6W PAR16, 24°



6W PAR16, 35°

Lamp Type	Lumens	CBCP	Base	CCT	CRI	W	LPW
PAR16 35 Degree	530	600	GU10	2700K, 3000K 4000K	82+	7W	76LpW
PAR16 24 Degree	550	2100	GU10	2700K, 3000K 3500K, 4000K	82+	6W	92LpW
PAR16 35 Degree	550	1240	GU10	2700K, 3000K 3500K, 4000K	82+	6W	92LpW
PAR16 24 Degree	400	1700	GU10	3000K	97	6W	67LpW
PAR16 35 Degree	400	900	GU10	3000K	97	6W	67LpW

1. Juno is a registered trademark of Juno Lighting  
 2. Halo is a registered trademark of Cooper Lighting  
 3. Lightolier is a registered trademark of Philips Lighting  
 4. Capri is a registered trademark of Philips Lighting

# CTL6116GU10ML

Tapered Cone Line Voltage Track Fixture  
with LED PAR16 Lamp, GU10 Base

## Ordering Information

Example Order:  —

Track System	Fixture	Lamp	Finish
<input type="text"/>	<input type="text"/>	<input type="text"/>	<input type="text"/>
<b>CTL</b> - ConTech <b>HTL</b> - Halo <b>LTL</b> - Lightolier <b>PTL</b> - Capri	<b>6116GU10</b>	<b>ML06-2427K</b> - 6W, 24°, 2700K, 82 CRI <b>ML06-2430K</b> - 6W, 24°, 3000K, 82 CRI <b>ML06-2435K</b> - 6W, 24°, 3500K, 82 CRI <b>ML06-2440K</b> - 6W, 24°, 4000K, 85 CRI <b>ML04-2430KC</b> - 6W, 24°, 3000K, 97 CRI <b>ML06-3527K</b> - 6W, 35°, 2700K, 82 CRI <b>ML06-3530K</b> - 6W, 35°, 3000K, 82 CRI <b>ML06-3535K</b> - 6W, 35°, 3500K, 82 CRI <b>ML06-3540K</b> - 6W, 35°, 4000K, 85 CRI <b>ML04-3530KC</b> - 6W, 35°, 3000K, 97 CRI <b>ML3527K</b> - 7W, 35°, 2700K, 82 CRI <b>ML3530K</b> - 7W, 35°, 3000K, 82 CRI <b>ML3540K</b> - 7W, 35°, 4000K, 85 CRI	<b>B</b> - Black <b>P</b> - White <b>S</b> - Silver <b>SC</b> - Satin Chrome

Accessory Holder

**FA-37A** - Black Accessory Clips, Set of (3)

Accessories

**LF16-\* 67MM** - 2-5/8" Dia. tempered glass lenses  
\*A, B, CL, G, LB, R, RO, Y, 73, LS, SL

**Color/Pattern Legend**  
**-A** (Amber), **-B** (Blue), **-CL** (Clear), **-G** (Green), **-LB** (Light Blue), **-R** (Red), **-RO** (Rose), **-Y** (Yellow), **-73** (Spread Lens), **-LS** (Linear Spread Lens), **-SL** (Soft Light)

1. Juno is a registered trademark of Juno Lighting  
 2. Halo is a registered trademark of Cooper Lighting  
 3. Lightolier is a registered trademark of Philips Lighting  
 4. Capri is a registered trademark of Philips Lighting