

CTL6130ML

Tapered Cone PAR30 Lampholder with PAR30S LED Lamp Line Voltage Track Fixture

Specifications/Features

Fixture

Low profile molded side swivel design with "Sure-Set" precise aiming. Front relamping, short barreled tapered cone lampholder assembly is made of formed steel. Integral ON/OFF switch and track polarity indicator are standard. Will accept (1) LF30 lens or Egg Crate Louver (LA-38) by using FA-37A black accessory mounting clips. Satin Chrome finish includes black track adapter and fixture arm.

Lamp/Electrical

Energy efficient PAR30S 120V LED lamp. Designed to last 25,000 hours. Color management system maintains color consistency over time and temperature. Correlated Color Temperature of 2700K, Color Rendering Index of 82. Correlated Color Temperature of 3000K, Color Rendering Index of 82 or 95. Correlated Color Temperature of 3500K, Color Rendering Index of 82. Correlated Color Temperature of 4000K, Color Rendering Index of 85.

10.5W Lamp:

35° Beam spread
2,200 CBCP, Lumen output = 800 (76 LpW).

14.5W Lamp:

25° Beam spread
4,000 CBCP, Lumen output = 1300 (90 LpW) standard CRI;
3,500 CBCP, Lumen output = 1100 (76 LpW) high CRI.
Durable plastic housing to protect the LEDs.
RoHS compliant, contains no lead or mercury

Dimming

Dimmable to 10% with forward phase/TRIAC dimming. For optimal performance, use forward phase/TRIAC dimmer specifically designed for LED lamps. Dimming performance may vary due to field conditions, including but not limited to, power quality, installation and wiring, and variations in dimmer production. Please reference the dimmer manufacturer's instructions for dimmer installation and further information.

Warranty

This fixture is covered by ConTech's full three (3) year replacement guarantee after date of purchase.

Listing

cCSAus Certified. Suitable for dry locations. Lamps are Energy Star Listed.

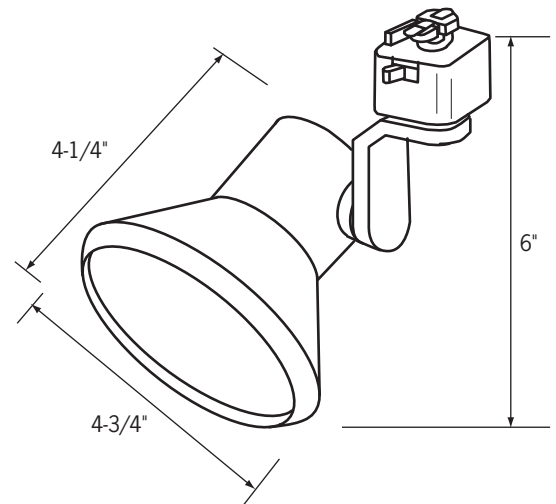
Fixture Compatibility

Standard ConTech track fixtures are cCSAus Certified as-is for use with ConTech's many track systems, as well as with Juno^{®1} Lighting track. By changing the prefix in the part number, ConTech can install inserts which make our fixtures compatible with other manufacturers. Replace "CTL" with "HTL" for Halo^{®2} track, "LTL" for Lightolier^{®3} track, and "PTL" for Capri^{®4} track. For more information, please consult our factory.



10.5W PAR30S

14.5W PAR30S



1. Juno is a registered trademark of Juno Lighting
2. Halo is a registered trademark of Cooper Lighting
3. Lightolier is a registered trademark of Philips Lighting
4. Capri is a registered trademark of Philips Lighting

CTL6130ML

**Tapered Cone PAR30 Lampholder with PAR30S LED Lamp
Line Voltage Track Fixture**

Ordering Information

Example Order: -

Track System	Fixture	Lamp	Finish
<input type="text"/>	<input type="text"/>	<input type="text"/>	<input type="text"/>

CTL - ConTech
HTL - Halo
LTL - Lightolier
PTL - Capri

6130

ML13-2527K - 25°, 1300Lm, 2700K, 14.5W
ML13-2530K - 25°, 1300Lm, 3000K, 14.5W
ML13-2535K - 25°, 1300Lm, 3500K, 14.5W
ML13-2540K - 25°, 1300Lm, 4000K, 14.5W
ML13-2530KC - 25°, 1100Lm, 3000K, 14.5W
ML3527K - 35°, 800Lm, 2700K, 10.5W
ML3530K - 35°, 800Lm, 3000K, 10.5W
ML3535K - 35°, 800Lm, 3500K, 10.5W
ML3540K - 35°, 800Lm, 4000K, 10.5W

B - Black
P - White
S - Silver
SC - Satin Chrome

Accessory Holder

FA-37A - Black Accessory Clips, Set of (3)

Accessories

LF30-* - 4-11/16" Dia. tempered glass lenses

*A, B, CL, DPE, G, LB, R, RO, Y, 73, LS, SL, UV

LA-38-(B,P,S) - Egg-Crate Louver

Color/Pattern Legend

-A (Amber), -B (Blue), -CL (Clear),
-DPE (Dichroic Peach), -G (Green), -LB (Light Blue), -R (Red),
-RO (Rose), -Y (Yellow),
-73 (Spread Lens), -LS (Linear Spread Lens), -SL (Soft Light),
-UV (Optivex UV Filter)

1. Juno is a registered trademark of Juno Lighting
2. Halo is a registered trademark of Cooper Lighting
3. Lightolier is a registered trademark of Philips Lighting
4. Capri is a registered trademark of Philips Lighting