

CTL8038LG-ML

Saturna Line Voltage Track Fixture with GU24 Base PAR38 Lamp

Specifications/Features

Fixture

Elegant patented design. (Patent # D 345,616)
Die-cast aluminum housing.
Open design for cooler operation and convenient front relamping.
Steel dual-rail yoke design provides a "hi-tech", less bulky look.
Sure-Set yoke for precise aiming without tools and full 350° rotation.
Integral on/off switch and track polarity indicator are standard.
Will accept FA-40 accessory holder and one (1) LF40 lens.

Lamp/Electrical

One (1) energy efficient, 18W PAR38 Megaman LED lamp
Color management system maintains color consistency over time and temperature
Correlated Color Temperature of 2700K, 3000K, or 3500K; Color Rendering Index of 82
Correlated Color Temperature of 4000K, Color Rendering Index of 85
RoHS compliant, contains no lead or mercury
18W PAR38 Lamp:
Designed to last 25,000 hours
Lumen output = 1400 (78 Lumens per Watt)
25° Beam spread with Max. Luminous Intensity (cd) of 8,700
45° Beam spread with Max. Luminous Intensity (cd) of 2,290

Dimming

Dimmable to 10% with forward phase/TRIAC dimming. For optimal performance, use forward phase/TRIAC dimmer specifically designed for LED lamps. Dimming performance may vary due to field conditions, including but not limited to, power quality, installation and wiring, and variations in dimmer production. Please reference the dimmer manufacturer's instructions for dimmer installation and further information.

Warranty

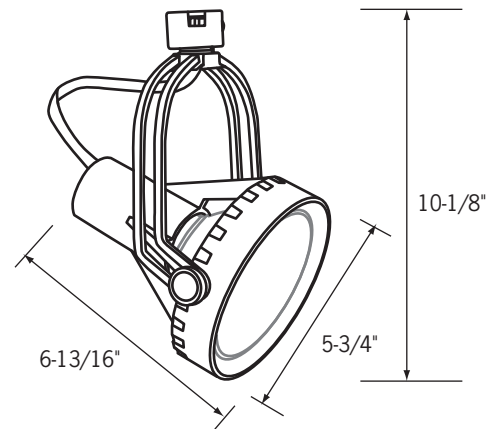
This fixture is covered by ConTech's full three (3) year replacement guarantee after date of purchase.

Listing

cCSAus Certified. Suitable for dry locations.
RoHS compliant, contains no lead or mercury.
18W Lamps are Energy Star listed.

Fixture Compatibility

Standard ConTech track fixtures are cCSAus certified as-is for use with ConTech's many track systems, as well as with Juno^{®1} Lighting track. By changing the prefix in the part number, ConTech can install inserts which make our fixtures compatible with other manufacturers. Replace "CTL" with "HTL" for Halo^{®2} track, "LTL" for Lightolier^{®3} track, and "PTL" for Capri^{®4} track. For more information, please consult our factory.



Ordering Information

Example Order: —

Track System	Fixture	Lamp	Finish
<input type="text"/>	<input type="text"/>	<input type="text"/>	<input type="text"/>

CTL - Con-Tech
HTL - Halo
LTL - Lightolier
PTL - Capri

8038LG

ML14-2527K - 18W, 25°, 2700K
ML14-2530K - 18W, 25°, 3000K
ML14-2535K - 18W, 25°, 3500K
ML14-2540K - 18W, 25°, 4000K
ML14-4527K - 18W, 45°, 2700K
ML14-4530K - 18W, 45°, 3000K
ML14-4535K - 18W, 45°, 3500K
ML14-4540K - 18W, 45°, 4000K

B - Black
P - White
S - Silver

1. Juno is a registered trademark of Juno Lighting
2. Halo is a registered trademark of Cooper Lighting
3. Lightolier is a registered trademark of Philips Lighting
4. Capri is a registered trademark of Philips Lighting