

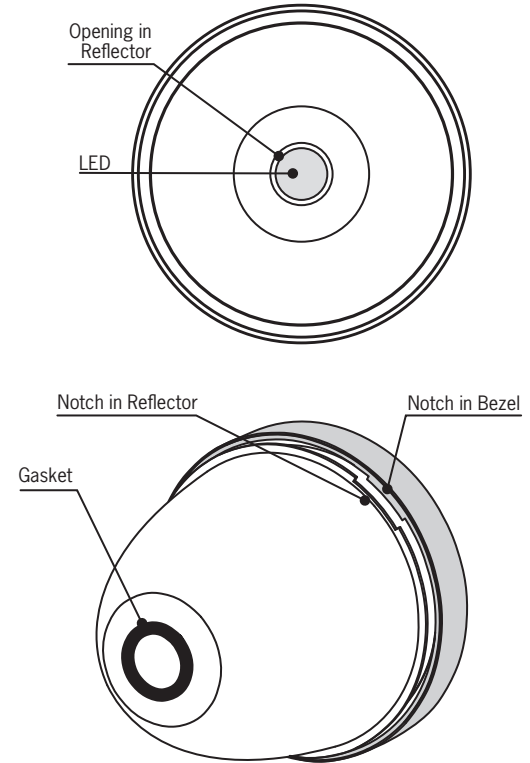
## INSTALLATION PROCEDURES

1. To replace the CTL805 Series track fixture reflector, twist bezel/ reflector assembly to remove from fixture.
2. Remove reflector from bezel by aligning the notch in the reflector with the notch in the bezel and separate.
3. Put new reflector in position by aligning the notches and twisting the reflector so that it is retained in the bezel.
4. Position bezel/reflector assembly in place while making sure the opening in the reflector is aligned and centered around the LED. Twist and lock bezel to secure to fixture.
5. For optimal beam performance, ensure reflector/LED alignment and make slight adjustments as necessary by gently nudging the reflector to the concentric centered position.

**CAUTION:** Do not touch the LED surface or the reflector as damage may occur.

## IMPORTANT SAFETY INSTRUCTIONS:

- Read all the instructions before installation. Save instructions for later use.
- Turn off power at fuse or circuit breaker box before installation or before doing any maintenance work.
- Do not exceed the nominal supply voltage or amperage rating.
- Do not install any lampholder closer than 6" from any curtain or similar combustible material.
- **Warning:** Risk of burns. Lamps are extremely hot when lit. Allow lamps to cool down in temperature before handling.
- Product must be mounted in locations and at heights and in a manner consistent with its intended use, and in compliance with National Electrical Code and local codes. Use of accessory equipment is not recommended.
- Installing contrary to instructions may cause unsafe conditions.
- **Warning:** Risk of fire. Most dwellings built before 1985 have supply wire rated at 60°C. Consult a qualified electrician before installation.
- To avoid hazards to children, account for all parts and properly dispose of all packing materials.
- Call the Technical Support department at ConTech Lighting with any installation questions: 847.559.5500.



## INSTALLATION INSTRUCTIONS

1. Place LF20 lens or louver in recess on FA-41 accessory holder.
2. Push accessory holder and lens into fixture bezel until fully seated within bezel.

## IMPORTANT SAFETY INSTRUCTIONS:

- Read all the instructions before installation. Save instructions for later use.
- Before starting the installation, disconnect the power by turning off the circuit breaker or by removing the appropriate fuse at the fuse box. Turning the power off using the light switch is not sufficient to prevent electrical shock.
- Product must be grounded to avoid potential electric shock and any other potential hazards.
- Product must be mounted in locations and at heights and in a manner consistent with its intended use, and in compliance with National Electrical Code and local codes. Use of accessory equipment is not recommended.
- Installing contrary to instructions may cause unsafe conditions.
- Do not block light from the trim aperture, in whole or in part, as this may cause unsafe conditions. Do not mount near gas or electric heaters.
- Use caution when servicing batteries. Battery acid can cause burns to skin and eyes. If acid is spilled on skin or in eyes, flush with fresh water and contact a physician immediately.
- Equipment should be mounted in location and at heights where it will not readily be subject to tampering by unauthorized personnel.
- **Warning:** Risk of fire. Most dwellings built before 1985 have supply wire rated at 60°C. Supply conductors (power wires) connecting the fixture must be rated at minimum of 90°C. Consult a qualified electrician before installation.
- To avoid hazards to children, account for all parts and properly dispose of all packing materials.
- Call the Technical Support department at ConTech Lighting with any installation questions: 847.559.5500.

