

# CTL8120ML

## Front Relamping Gimbal Line Voltage Track Fixture with PAR20 LED Lamp

### Specifications/Features

#### Fixture

Two-plane gimbal design permits 360° horizontal swivel and 150° adjustability in the vertical plane for excellent aiming.  
 Front re-lamping with grooved baffle inserts.  
 "Sure Set" yoke holds the fixture firmly in place.  
 Integral ON/OFF switch and track polarity indicator are standard.

#### Lamp

One (1) energy efficient 7W or 10W PAR20 Megaman LED lamp.  
 Correlated Color Temperature of 2700K, 3000K, or 3500K; Color Rendering Index of 82.  
 Correlated Color Temperature of 4000K, Color Rendering Index of 85.  
 RoHS compliant, contains no lead or mercury.  
 Designed to last 25,000 hours.

#### 7W PAR20 Lamp:

30° Beam spread with CBCP of 900, Lumen output = 600 (86 LpW)

#### 10W PAR20 Lamp:

15° Beam spread with CBCP of 4200, Lumen output = 600 (60 LpW)

35° Beam spread with CBCP of 1800, Lumen output = 900 (90 LpW)

#### Dimming

Dimmable to 10% with forward phase/TRIAC dimming. For optimal performance, use forward phase/TRIAC dimmer specifically designed for LED lamps. Dimming performance may vary due to field conditions, including but not limited to, power quality, installation and wiring, and variations in dimmer production. Please reference the dimmer manufacturer's instructions for dimmer installation and further information.

#### Warranty

This fixture is covered by ConTech's full three (3) year replacement guarantee after date of purchase.

#### Listing

cCSAus Certified. Suitable for dry locations.  
 RoHS compliant, contains no lead or mercury.  
 7W Lamps are Energy Star listed.

#### Fixture Compatibility

Standard ConTech track fixtures are cCSAus certified as-is for use with ConTech's many track systems, as well as with Juno<sup>®1</sup> Lighting track. By changing the prefix in the part number, ConTech can install inserts which make our fixtures compatible with other manufacturers. Replace "CTL" with "HTL" for Halo<sup>®2</sup> track, "LTL" for Lightolier<sup>®3</sup> track, and "PTL" for Capri<sup>®4</sup> track. For more information, please consult our factory.

### Ordering Information

Example Order:  -

Track System	Fixture	Lamp	Finish
<input type="text"/>	<input type="text"/>	<input type="text"/>	<input type="text"/>

**CTL** - ConTech  
**HTL** - Halo  
**LTL** - Lightolier  
**PTL** - Capri

**8120**

**ML06-1527K** - 15°, 600Lm, 2700K, 10W  
**ML06-1530K** - 15°, 600Lm, 3000K, 10W  
**ML06-1535K** - 15°, 600Lm, 3500K, 10W  
**ML06-1540K** - 15°, 600Lm, 4000K, 10W  
**ML06-3027K** - 30°, 600Lm, 2700K, 7W  
**ML06-3035K** - 30°, 600Lm, 3500K, 7W  
**ML06-3040K** - 30°, 600Lm, 4000K, 7W  
**ML09-3527K** - 35°, 900Lm, 2700K, 10W  
**ML09-3530K** - 35°, 900Lm, 3000K, 10W  
**ML09-3535K** - 35°, 900Lm, 3500K, 10W  
**ML09-3540K** - 35°, 900Lm, 4000K, 10W

**B** - Black  
**P** - White  
**S** - Silver



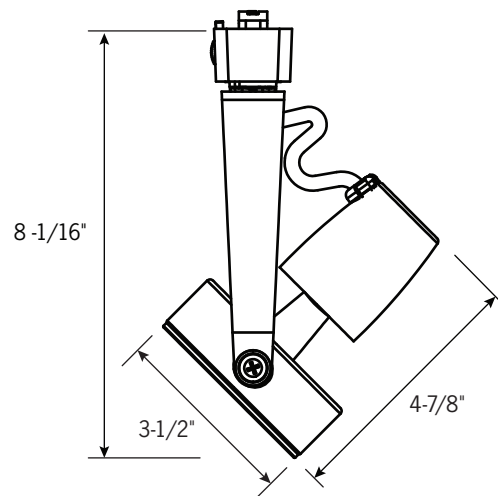
7W PAR20



10W 15° PAR20



10W 35° PAR20



1. Juno is a registered trademark of Juno Lighting  
 2. Halo is a registered trademark of Cooper Lighting  
 3. Lightolier is a registered trademark of Philips Lighting  
 4. Capri is a registered trademark of Philips Lighting