

# CTL8138ML

## Front Relamping Gimbal Line Voltage Track Fixture with PAR38 LED Lamp

### Specifications/Features

#### Fixture

Two-plane gimbal design permits 360° horizontal swivel and 150° adjustability in the vertical plane for excellent aiming. Front re-lamping with grooved baffle inserts. "Sure Set" yoke holds the fixture firmly in place. Integral ON/OFF switch and track polarity indicator are standard.

#### Dimming

Dimmable to 10% with forward phase/TRIAC dimming. For optimal performance, use forward phase / TRIAC dimmer specifically designed for LED lamps. Dimming performance may vary due to field conditions, including but not limited to, power quality, installation and wiring, and variations in dimmer production. Please reference the dimmer manufacturer's instructions for dimmer installation and further information.

#### Warranty

This complete fixture is covered by ConTech's full three (3) year replacement guarantee after date of purchase.

#### Listing

cCSAus Certified. Suitable for dry locations. Lamps are Energy Star listed.

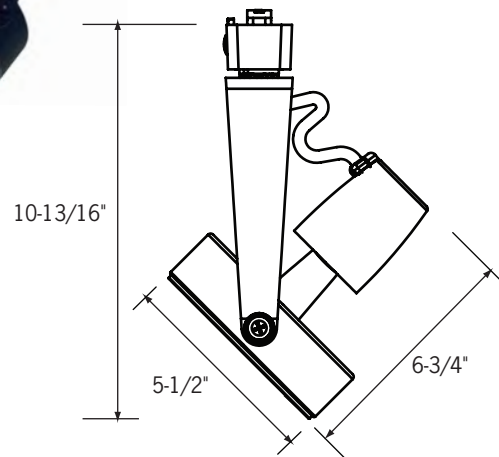
#### Fixture Compatibility

Standard ConTech track fixtures are cCSAus Certified as-is for use with ConTech's many track systems, as well as with Juno®1 Lighting track. By changing the prefix in the part number, ConTech can install inserts which make our fixtures compatible with other manufacturers. Replace "CTL" with "HTL" for Halo®2 track, "LTL" for Lightolier®3 track, and "PTL" for Capri®4 track. For more information, please consult our factory.

#### Lamp/Light Output (Performance)

Megaman LED lamp designed to last 25,000 hours  
RoHS compliant, contains no lead or mercury

| Lamp Type          | Lumens | CBCP   | Base | CCT                          | CRI | W   | LPW    |
|--------------------|--------|--------|------|------------------------------|-----|-----|--------|
| PAR38<br>10 Degree | 1150   | 20,000 | E26  | 2700K, 3000K<br>3500K, 4000K | 82+ | 15W | 73LpW  |
| PAR38<br>25 Degree | 1400   | 8700   | E26  | 2700K, 3000K<br>3500K, 4000K | 82+ | 18W | 78LpW  |
| PAR38<br>45 Degree | 1400   | 2950   | E26  | 2700K, 3000K<br>3500K, 4000K | 82+ | 18W | 78LpW  |
| PAR38<br>25 Degree | 1200   | 7400   | E26  | 3000K                        | 95  | 18W | 67LpW  |
| PAR38<br>45 Degree | 1200   | 2380   | E26  | 3000K                        | 95  | 18W | 67LpW  |
| PAR38<br>35 Degree | 2100   | 7000   | E26  | 2700K, 3000K<br>3500K, 4000K | 82+ | 20W | 105LpW |
| PAR38<br>20 Degree | 2800   | 15,000 | E26  | 2700K, 3000K<br>3500K, 4000K | 82+ | 30W | 93LpW  |
| PAR38<br>40 Degree | 3000   | 5500   | E26  | 2700K, 3000K<br>3500K, 4000K | 82+ | 30W | 100LpW |
| PAR38<br>20 Degree | 2350   | 12,500 | E26  | 3000K                        | 95  | 30W | 78LpW  |
| PAR38<br>40 Degree | 2550   | 4650   | E26  | 3000K                        | 95  | 30W | 85LpW  |



PAR38  
10-Degree



PAR38  
25-Degree



PAR38  
35-Degree



PAR38  
45-Degree



PAR38  
20-Degree



PAR38  
40-Degree

1. Juno is a registered trademark of Juno Lighting  
2. Halo is a registered trademark of Cooper Lighting  
3. Lightolier is a registered trademark of Philips Lighting  
4. Capri is a registered trademark of Philips Lighting

# CTL8138ML

## Front Relamping Gimbal Line Voltage Track Fixture with PAR38 LED Lamp

### Ordering Information

Example Order:  -

| Track System         | Fixture              | Lamp                 | Finish               |
|----------------------|----------------------|----------------------|----------------------|
| <input type="text"/> | <input type="text"/> | <input type="text"/> | <input type="text"/> |

**CTL** - ConTech  
**HTL** - Halo  
**LTL** - Lightolier  
**PTL** - Capri

**8138**

**ML11D-1027K** - 15W PAR38, 10°, 2700K, 82 CRI  
**ML11D-1030K** - 15W PAR38, 10°, 3000K, 82 CRI  
**ML11D-1035K** - 15W PAR38, 10°, 3500K, 82 CRI  
**ML11D-1040K** - 15W PAR38, 10°, 4000K, 85 CRI  
**ML14D-2527K** - 18W PAR38, 25°, 2700K, 82 CRI  
**ML14D-2530K** - 18W PAR38, 25°, 3000K, 82 CRI  
**ML14D-2535K** - 18W PAR38, 25°, 3500K, 82 CRI  
**ML14D-2540K** - 18W PAR38, 25°, 4000K, 85 CRI  
**ML14D-4527K** - 18W PAR38, 45°, 2700K, 82 CRI  
**ML14D-4530K** - 18W PAR38, 45°, 3000K, 82 CRI  
**ML14D-4535K** - 18W PAR38, 45°, 3500K, 82 CRI  
**ML14D-4540K** - 18W PAR38, 45°, 4000K, 85 CRI  
**ML12D-2530KC** - 18W PAR38, 25°, 3000K, 95 CRI  
**ML12D-4530KC** - 18W PAR38, 45°, 3000K, 95 CRI  
**ML21D-3527K** - 20W PAR38, 35°, 2700K, 82 CRI  
**ML21D-3530K** - 20W PAR38, 35°, 3000K, 82 CRI  
**ML21D-3535K** - 20W PAR38, 35°, 3500K, 82 CRI  
**ML21D-3540K** - 20W PAR38, 35°, 4000K, 85 CRI  
**ML28D-2027K** - 30W PAR38, 20°, 2700K, 82 CRI  
**ML28D-2030K** - 30W PAR38, 20°, 3000K, 82 CRI  
**ML28D-2035K** - 30W PAR38, 20°, 3500K, 82 CRI  
**ML28D-2040K** - 30W PAR38, 20°, 4000K, 85 CRI  
**ML30D-4027K** - 30W PAR38, 40°, 2700K, 82 CRI  
**ML30D-4030K** - 30W PAR38, 40°, 3000K, 82 CRI  
**ML30D-4035K** - 30W PAR38, 40°, 3500K, 82 CRI  
**ML30D-4040K** - 30W PAR38, 40°, 4000K, 85 CRI  
**ML24D-2030KC** - 30W PAR38, 20°, 3000K, 95 CRI  
**ML26D-4030KC** - 30W PAR38, 40°, 3000K, 95 CRI

**B** - Black  
**P** - White  
**S** - Silver

#### Accessory Holder

**FA-8138-(B,P,S)**

#### Accessories

**LF38 - A, B, CL, G, LB, R, RO, Y, 73, LS, SL, UV**  
 4-7/8" Dia. tempered glass lenses  
**LA-124 - 4-7/8" Dia. Honeycomb Louver**

*Color/Pattern Legend*  
**-A** (Amber), **-B** (Blue), **-CL** (Clear), **-G** (Green),  
**-LB** (Light Blue), **-R** (Red), **-RO** (Rose), **-Y** (Yellow),  
**-73** (Spread Lens), **-LS** (Linear Spread Lens),  
**-SL** (Soft Light), **-UV** (Optivex UV Filter)

1. Juno is a registered trademark of Juno Lighting  
 2. Halo is a registered trademark of Cooper Lighting  
 3. Lightolier is a registered trademark of Philips Lighting  
 4. Capri is a registered trademark of Philips Lighting