

CTL816GU10ML

Mini Gimbal Ring Line Voltage Track Fixture with LED PAR16 Lamp, GU10 Base

Specifications/Features

Fixture

Compact, gimbal ring lampholder designed for use with Halogen or LED PAR16 or MR16 lamps with GU10 twist and lock lamp base. Ideal for accent lighting in retail, commercial or residential applications. Integral ON/OFF switch and spring loaded latch with embossed track polarity indicator are standard.

Dimming

Dimmable to 10% with forward phase/TRIAC dimming. For optimal performance, use forward phase/TRIAC dimmer specifically designed for LED lamps. Dimming performance may vary due to field conditions, including but not limited to, power quality, installation and wiring, and variations in dimmer production. Please reference the dimmer manufacturer's instructions for dimmer installation and further information.

Warranty

This fixture is covered by ConTech's full three (3) year replacement guarantee after date of purchase.

Listing

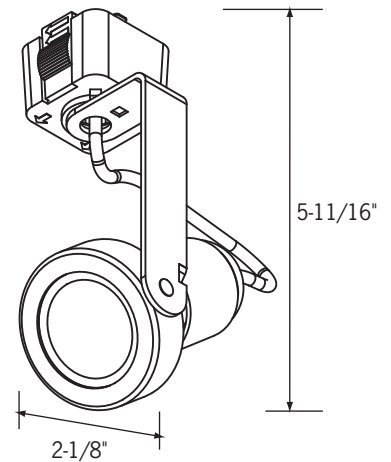
cCSAus Certified to UL standards. Suitable for dry locations. 6W Lams are Energy Star listed.

Fixture Compatibility

Standard ConTech track fixtures are cCSAus Certified as-is for use with ConTech's many track systems, as well as with Juno^{®1} Lighting track. By changing the prefix in the part number, ConTech can install inserts which make our fixtures compatible with other manufacturers. Replace "CTL" with "HTL" for Halo^{®2} track, "LTL" for Lightolier^{®3} track, and "PTL" for Capri^{®4} track. For more information, please consult our factory.

Lamp

Energy efficient Megaman lamp designed to last 25,000 hours. RoHS compliant, contains no lead or mercury.



| Lamp Type | Lumens | CBCP | Base | CCT | CRI | W | LPW |
|--------------------|--------|------|------|------------------------------|-----|----|-------|
| PAR16 35 Degree | 530 | 600 | GU10 | 2700K, 3000K 4000K | 82+ | 7W | 76LpW |
| PAR16 24 Degree | 550 | 2100 | GU10 | 2700K, 3000K 3500K, 4000K | 82+ | 6W | 92LpW |
| PAR16 35 Degree | 550 | 1240 | GU10 | 2700K, 3000K 3500K, 4000K | 82+ | 6W | 92LpW |
| PAR16 24 Degree | 400 | 1700 | GU10 | 3000K | 97 | 6W | 67LpW |
| PAR16 35 Degree | 400 | 900 | GU10 | 3000K | 97 | 6W | 67LpW |



7W PAR16, 35°



6W PAR16, 24°



6W PAR16, 35°

1. Juno is a registered trademark of Juno Lighting
 2. Halo is a registered trademark of Cooper Lighting
 3. Lightolier is a registered trademark of Philips Lighting
 4. Capri is a registered trademark of Philips Lighting

CTL816GU10ML

Mini Gimbal Ring Line Voltage Track Fixture
with LED PAR16 Lamp, GU10 Base

Ordering Information

Example Order: —

| Track System | Fixture | Lamp | Finish |
|----------------------|----------------------|----------------------|----------------------|
| <input type="text"/> | <input type="text"/> | <input type="text"/> | <input type="text"/> |

CTL - ConTech
HTL - Halo
LTL - Lightolier
PTL - Capri

816GU10

ML06-2427K - 6W, 24°, 2700K, 82 CRI
ML06-2430K - 6W, 24°, 3000K, 82 CRI
ML06-2435K - 6W, 24°, 3500K, 82 CRI
ML06-2440K - 6W, 24°, 4000K, 85 CRI
ML04-2430KC - 6W, 24°, 3000K, 97 CRI
ML06-3527K - 6W, 35°, 2700K, 82 CRI
ML06-3530K - 6W, 35°, 3000K, 82 CRI
ML06-3535K - 6W, 35°, 3500K, 82 CRI
ML06-3540K - 6W, 35°, 4000K, 85 CRI
ML04-3530KC - 6W, 35°, 3000K, 97 CRI
ML3527K - 7W, 35°, 2700K, 82 CRI
ML3530K - 7W, 35°, 3000K, 82 CRI
ML3540K - 7W, 35°, 4000K, 85 CRI

B - Black
P - White
S - Silver

Accessories*

LF16 - **A, B, CL, G, LB, R, RO, Y, 73, LS, SL, UV**

2" Tempered glass lenses

FA-16 50MM - Honeycomb Louver

LA-816 - Black Snoot

THS-16 - Thermal Heat Shield

Color/Pattern Legend

-A (Amber), **-B** (Blue), **-CL** (Clear), **-LB** (Light Blue),
-R (Red), **-RO** (Rose), **-Y** (Yellow), **-73** (Spread Lens),
-LS (Linear Spread Lens), **-SL** (Soft Light),
-UV (Optivex UV Filter)

*Using lens accessories with an LED lamp may reduce lamp life.

1. Juno is a registered trademark of Juno Lighting
2. Halo is a registered trademark of Cooper Lighting
3. Lightolier is a registered trademark of Philips Lighting
4. Capri is a registered trademark of Philips Lighting