

CTL838/2ML

PAR38 Slim Style Gimbal Line Voltage Track Fixture with LED Lamp

Specifications/Features

Fixture

The free, unconfined look of these gimbal lamp holders make them popular for commercial, retail and residential applications. The 2-plane gimbal design permits maximum horizontal and vertical swivel for excellent aiming. "Sure-Set" yoke holds the fixture firmly in place. Integral ON/OFF switch and track polarity indicator are standard. Supplied with field-mounted accessory clips (FA-38) for use with light control accessories.

Dimming

Dimmable to 10% with forward phase/TRIAC dimming. For optimal performance, use forward phase / TRIAC dimmer specifically designed for LED lamps. Dimming performance may vary due to field conditions, including but not limited to, power quality, installation and wiring, and variations in dimmer production. Please reference the dimmer manufacturer's instructions for dimmer installation and further information.

Warranty

This fixture is covered by ConTech's full three (3) year replacement guarantee after date of purchase.

Listing

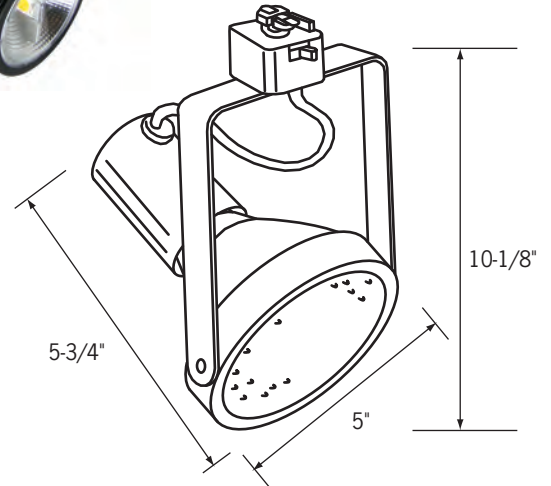
cCSAus Certified. Suitable for dry locations. Lamps are Energy Star listed.

Fixture Compatibility

Standard ConTech track fixtures are cCSAus Certified as-is for use with ConTech's many track systems, as well as with Juno®1 Lighting track. By changing the prefix in the part number, ConTech can install inserts which make our fixtures compatible with other manufacturers. Replace "CTL" with "HTL" for Halo®2 track, "LTL" for Lightolier®3 track, and "PTL" for Capri®4 track. For more information, please consult our factory.

Lamp/Light Output (Performance)

Megaman LED lamp designed to last 25,000 hours
Correlated Color Temperature of 2700K or 3500K; CRI of 82
Correlated Color Temperature of 3000K; CRI of 82 or 95
Correlated Color Temperature of 4000K, CRI of 85
RoHS compliant, contains no lead or mercury



Lamp Type	Lumens	CBCP	Base	CCT	W	LPW
PAR38 10 Degree	1150	20,000	E26	2700K, 3000K 3500K, 4000K	15W	73LpW
PAR38 25 Degree	1400	8700	E26	2700K, 3000K 3500K, 4000K	18W	78LpW
PAR38 45 Degree	1400	2950	E26	2700K, 3000K 3500K, 4000K	18W	78LpW
PAR38 25 Degree	1200	7400	E26	3000K 95 CRI	18W	67LpW
PAR38 45 Degree	1200	2380	E26	3000K 95 CRI	18W	67LpW
PAR38 35 Degree	2100	7000	E26	2700K, 3000K 3500K, 4000K	20W	105LpW



PAR38
10-Degree



PAR38
25-Degree



PAR38
35-Degree



PAR38
45-Degree

1. Juno is a registered trademark of Juno Lighting
2. Halo is a registered trademark of Cooper Lighting
3. Lightolier is a registered trademark of Philips Lighting
4. Capri is a registered trademark of Philips Lighting

CTL838/2ML

PAR38 Slim Style Gimbal Line Voltage Track Fixture with LED Lamp

Ordering Information

Example Order: —

Track System	Fixture	Lamp	Finish	Accessories*
<input type="text"/>	<input type="text"/>	<input type="text"/>	<input type="text"/>	<input type="text"/>

CTL - ConTech
HTL - Halo
LTL - Lightolier
PTL - Capri

838/2

- ML11D-1027K** - 15W PAR38, 10°, 2700K, 82 CRI
- ML11D-1030K** - 15W PAR38, 10°, 3000K, 82 CRI
- ML11D-1035K** - 15W PAR38, 10°, 3500K, 82 CRI
- ML11D-1040K** - 15W PAR38, 10°, 4000K, 85 CRI
- ML14D-2527K** - 18W PAR38, 25°, 2700K, 82 CRI
- ML14D-2530K** - 18W PAR38, 25°, 3000K, 82 CRI
- ML14D-2535K** - 18W PAR38, 25°, 3500K, 82 CRI
- ML14D-2540K** - 18W PAR38, 25°, 4000K, 85 CRI
- ML14D-4527K** - 18W PAR38, 45°, 2700K, 82 CRI
- ML14D-4530K** - 18W PAR38, 45°, 3000K, 82 CRI
- ML14D-4535K** - 18W PAR38, 45°, 3500K, 82 CRI
- ML14D-4540K** - 18W PAR38, 45°, 4000K, 85 CRI
- ML12D-2530KC** - 18W PAR38, 25°, 3000K, 95 CRI
- ML12D-4530KC** - 18W PAR38, 45°, 3000K, 95 CRI
- ML21D-3527K** - 20W PAR38, 35°, 2700K, 82 CRI
- ML21D-3530K** - 20W PAR38, 35°, 3000K, 82 CRI
- ML21D-3535K** - 20W PAR38, 35°, 3500K, 82 CRI
- ML21D-3540K** - 20W PAR38, 35°, 4000K, 85 CRI

B - Black
P - White
S - Silver
U - Unfinished Aluminum

BD38* - Barn Doors
**Black is standard finish. Natural aluminum may be ordered by adding suffix "U".*
LA-38-(B, P, S) - Egg-Crate Louver
LF30-(A, B, CL, G, LB, R, RO, Y, 73, LS, SL, UV)
4-11/16" Tempered glass lenses
Color/Pattern Legend
-A (Amber), **-B** (Blue), **-CL** (Clear), **-G** (Green), **-LB** (Light Blue), **-R** (Red), **-RO** (Rose), **-Y** (Yellow), **-73** (Spread Lens), **-LS** (Linear Spread Lens), **-SL** (Soft Light), **-UV** (Optivex UV Filter)

*Using lens accessories with LED lamps may reduce lamp life

1. Juno is a registered trademark of Juno Lighting
2. Halo is a registered trademark of Cooper Lighting
3. Lightolier is a registered trademark of Philips Lighting
4. Capri is a registered trademark of Philips Lighting