

CTL844A CTL845A

Adjustable Beam LED Track Fixture

Specifications/Features

Fixture

Sleek, high performance LED track fixture available in two (2) wattages:
15W (up to 1100 lumens)
30W (up to 2100 lumens)

Featuring an adjustable beam mechanism designed to provide outstanding flexibility for dynamic displays in retail and gallery applications. The 15W version provides a sleek cylindrical shape with the driver integrated into the cylindrical design.

Dimming is standard for all wattage options (120V only) and allows smooth illumination down to 10%. For dimmer compatibility, refer to Dimming Specifications sheet.

Both 15W and 30W versions provide 360°+ horizontal (rotation) adjustment and 90° vertical aiming.

Integral ON/OFF switch and track polarity indicator are standard.

Can accept up to (1) LF16 lens or FA-16 50MM louver when used with the FA-15 Accessory Holder.

Lamp

Light engine consists of a single, high lumen output multi-chip LED array.

Available in the following color temperatures:

- 2700K; CRI 80 min.
- 3000K; CRI 80 min.
- 3500K; CRI 80 min.

Excellent fixture-to-fixture color consistency within a 3-step MacAdam Ellipse tolerance

An adjustable beam mechanism provides endless beam options from a 13° narrow to a 80° wide flood distribution. The beam can be easily adjusted by simply sliding the telescopic lens mechanism in for a wider beam and out for a more narrow beam.

System designed and rated for 50,000 hours at 70% lumen maintenance.

Electrical

15W Driver Specifications: Input Wattage 15W; Output Current 350mA
Input Voltage: 120VAC
Dimming: Leading Edge (Incandescent) or Trailing Edge (ELV)

30W Driver Specifications: Input Wattage 30W; Output Current 700mA
Input Voltage: 120VAC
Dimming: Leading Edge (Incandescent) or Trailing Edge (ELV)

Warranty

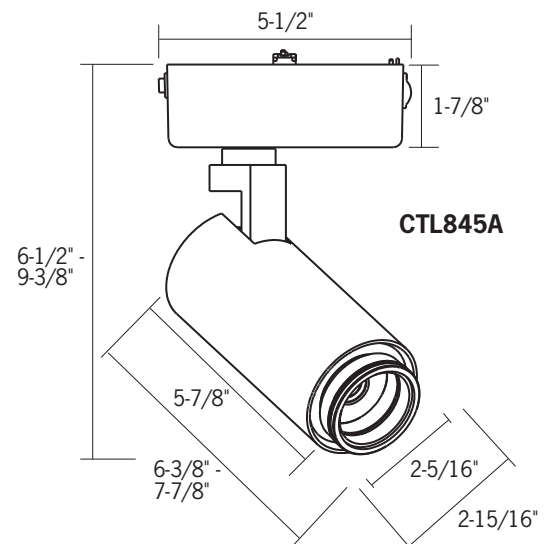
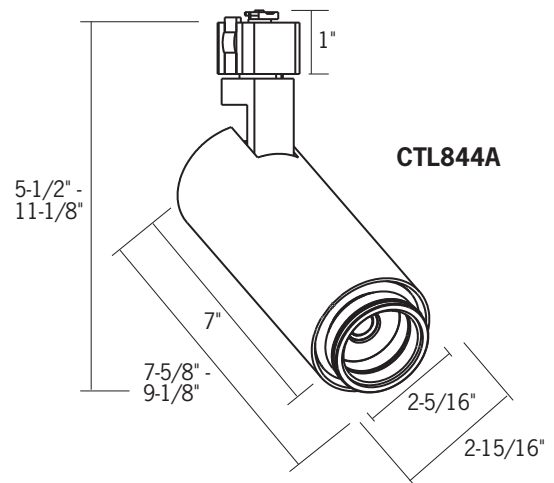
This complete fixture is covered by ConTech's full five (5) year replacement guarantee after date of purchase.

Listing

cCSAus Certified to UL standards. Suitable for dry locations.

Fixture Compatibility

Standard ConTech track fixtures are cCSAus certified as-is for use with ConTech's many track systems, as well as with Juno®¹ Lighting track. By changing the prefix in the part number, ConTech can install inserts which make our fixtures compatible with other manufacturers. Replace "CTL" with "HTL" for Halo®² track, "LTL" for Lightolier®³ track, and "PTL" for Capri®⁴ track. For more information, please consult our factory.



1. Juno is a registered trademark of Juno Lighting
2. Halo is a registered trademark of Cooper Lighting
3. Lightolier is a registered trademark of Philips Lighting
4. Capri is a registered trademark of Philips Lighting

CTL844A CTL845A

Adjustable Beam LED Track Fixture

Ordering Information

Example Order: -

| Track System | Fixture | Color Temp | Dimming | Finish | Accessories |
|----------------------|----------------------|----------------------|----------------------|----------------------|----------------------|
| <input type="text"/> | <input type="text"/> | <input type="text"/> | <input type="text"/> | <input type="text"/> | <input type="text"/> |

- | | | | | | |
|-------------------------|-----------------------------------|-------------------|--------------------|-------------------|--|
| CTL - ConTech | 844A - 15W Adjustable Beam | 27 - 2700K | D - Dimming | B - Black | BD15 - Barn Doors |
| HTL - Halo | 845A - 30W Adjustable Beam | 3 - 3000K | | P - White | FA-15-B - Accessory Holder |
| LTL - Lightolier | | 35 - 3500K | | S - Silver | LF16 - (A, B, CL, G, LB, R, RO, Y, SL, SOL) 2" Dia. Tempered Glass Lenses; Requires FA-15-B Accessory Holder |
| PTL - Capri | | | | | FA-16 50MM - Louver 2"; Requires FA-15-B Accessory Holder |

1. Juno is a registered trademark of Juno Lighting
 2. Halo is a registered trademark of Cooper Lighting
 3. Lightolier is a registered trademark of Philips Lighting
 4. Capri is a registered trademark of Philips Lighting

Color/Pattern Legend
-A (Amber), **-B** (Blue), **-CL** (Clear), **-G** (Green), **-LB** (Light Blue),
-R (Red), **-RO** (Rose), **-Y** (Yellow), **-SL** (Soft Light), **-SOL** (Solite Lens)

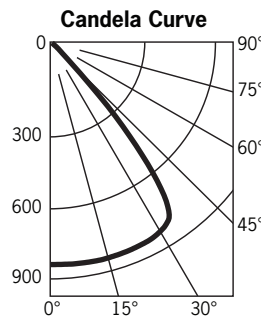
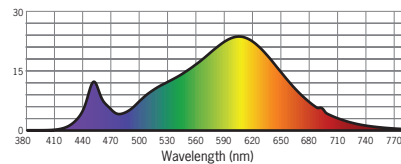
Photometrics

CTL844A3D

Designed for 50,000 Hour Lamp Life¹; LM-63 Test No. 87460

Light Output (Fixture Delivered Lumens): 1172
Total Watts@120V: 14.2; **Lumens Per Watt:** 82.5
Center Beam Candle Power: 832
Color Rendering Index (CRI)²: 83
Color Temperature (CCT)³: 2996K
Spectral Power Distribution Chart⁴

LM-79 Test No. 87460



Candlepower Summary

| FROM 0 | CANDELA | LUMENS |
|--------|---------|--------|
| 0 | 832 | |
| 5 | 833 | 79 |
| 15 | 831 | 235 |
| 25 | 821 | 379 |
| 35 | 724 | 413 |
| 45 | 37 | 63 |
| 55 | 1 | 1 |
| 65 | 1 | 1 |
| 75 | 0 | 0 |
| 85 | 0 | 0 |
| 95 | 0 | |

Intensity Distribution

| DISTANCE (FT.) | FOOTCANDLES (FC) | BEAM DIAMETER (FT.) |
|----------------|------------------|---------------------|
| 4' | 52.0 | 5.5 |
| 6' | 23.1 | 8.2 |
| 8' | 13.0 | 11.0 |
| 10' | 8.3 | 13.7 |
| 12' | 5.8 | 16.4 |
| 14' | 4.2 | 19.2 |

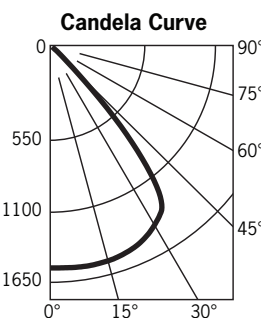
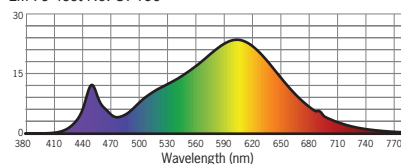
Beam Distribution: Wide: 77°, Narrow: 13°
Spacing Criterion: 1.15

CTL845A3D

Designed for 50,000 Hour Lamp Life¹; LM-63 Test No. 87462

Light Output (Fixture Delivered Lumens): 2155
Total Watts@120V: 30.1; **Lumens Per Watt:** 71.6
Center Beam Candle Power: 1545
Color Rendering Index (CRI)²: 83
Color Temperature (CCT)³: 2996K
Spectral Power Distribution Chart⁴

LM-79 Test No. 87460



Candlepower Summary

| FROM 0 | CANDELA | LUMENS |
|--------|---------|--------|
| 0 | 1545 | |
| 5 | 1548 | 148 |
| 15 | 1539 | 435 |
| 25 | 1475 | 679 |
| 35 | 1275 | 738 |
| 45 | 95 | 149 |
| 55 | 4 | 4 |
| 65 | 1 | 1 |
| 75 | 1 | 1 |
| 85 | 0 | 0 |
| 95 | 0 | |

Intensity Distribution

| DISTANCE (FT.) | FOOTCANDLES (FC) | BEAM DIAMETER (FT.) |
|----------------|------------------|---------------------|
| 4' | 96.6 | 5.3 |
| 6' | 42.9 | 7.9 |
| 8' | 24.1 | 10.6 |
| 10' | 15.5 | 13.2 |
| 12' | 10.7 | 15.9 |
| 14' | 7.9 | 18.5 |

Beam Distribution: Wide: 79°, Narrow: 14°
Spacing Criterion: 1.15

1. Dependent on surrounding temperatures
 2. Accuracy of rendering colors
 3. Color appearance of light source
 4. Colors present within the light source