

CTL9020ML

Theatrical Line Voltage Track Fixture with PAR20 LED Lamp

Specifications/Features

Fixture

Theatrical stage light design creates an exiting “on stage” look. Built-in barn doors provide excellent cut-off and light control. Integral ON/OFF switch and track polarity indicator are standard. Use FA-9020 accessory clips to hold (1) LF20 lens or LA-45 louver.

Lamp

One (1) energy efficient, 7W or 10W PAR20 Megaman LED lamp. Correlated Color Temperature of 2700K, 3000K, or 3500K; Color Rendering Index of 82. Correlated Color Temperature of 4000K, Color Rendering Index of 85 RoHS compliant, contains no lead or mercury. Designed to last 25,000 hours

7W PAR20 Lamp:

Lumen output = 600 (86 Lumens per Watt)
30° Beam spread with Max. Luminous Intensity (cd) of 900

10W PAR20 Lamp:

Lumen output = 900 (90 Lumens per Watt)
35° Beam spread with Max. Luminous Intensity (cd) of 1800

Dimming

Dimmable to 10% with forward phase/TRIAC dimming. For optimal performance, use forward phase/TRIAC dimmer specifically designed for LED lamps. Dimming performance may vary due to field conditions, including but not limited to, power quality, installation and wiring, and variations in dimmer production. Please reference the dimmer manufacturer’s instructions for dimmer installation and further information.

Warranty

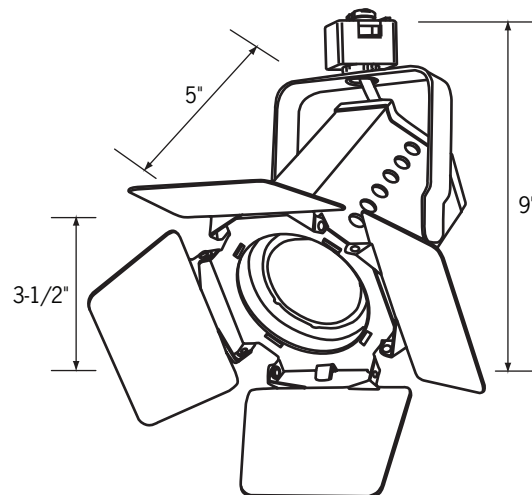
This fixture is covered by ConTech’s full three (3) year replacement guarantee after date of purchase.

Listing

cCSAus Certified. Suitable for dry locations. RoHS compliant, contains no lead or mercury. Lamps are Energy Star listed.

Fixture Compatibility

Standard ConTech track fixtures are cCSAus certified as-is for use with ConTech’s many track systems, as well as with Juno¹ Lighting track. By changing the prefix in the part number, ConTech can install inserts which make our fixtures compatible with other manufacturers. Replace “CTL” with “HTL” for Halo² track, “LTL” for Lightolier³ track, and “PTL” for Capri⁴ track. For more information, please consult our factory.



Ordering Information

Example Order: –

Track System	Fixture	Lamp	Finish
<input type="text"/>	<input type="text"/>	<input type="text"/>	<input type="text"/>

CTL - ConTech
HTL - Halo
LTL - Lightolier
PTL - Capri

9020

ML06-3027K - 7W, 30°, 2700K
ML06-3030K - 7W, 30°, 3000K
ML06-3035K - 7W, 30°, 3500K
ML06-3040K - 7W, 30°, 4000K
ML09-3527K - 10W, 35°, 2700K
ML09-3530K - 10W, 35°, 3000K
ML09-3535K - 10W, 35°, 3500K
ML09-3540K - 10W, 35°, 4000K

B - Black
P - White
S - Silver

1. Juno is a registered trademark of Juno Lighting
2. Halo is a registered trademark of Cooper Lighting
3. Lightolier is a registered trademark of Philips Lighting
4. Capri is a registered trademark of Philips Lighting