

**INSTALLATION PROCEDURES**

**RS4175-SA:** Insulation must not be used in direct contact with fixture. Provide 3" space between any part of fixture and insulation.

**RS4150-ICSA:** Fixture designed for direct contact with insulation.

**MOUNTING:**

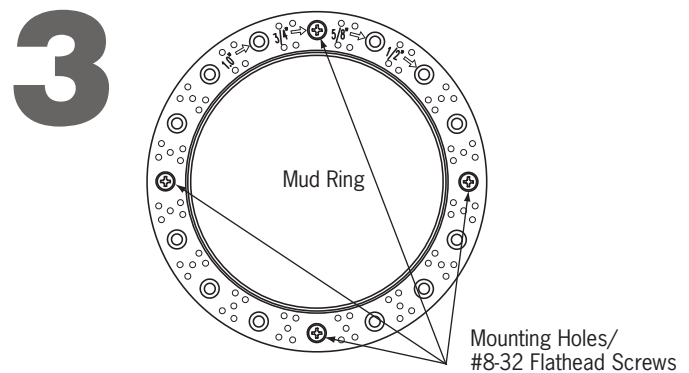
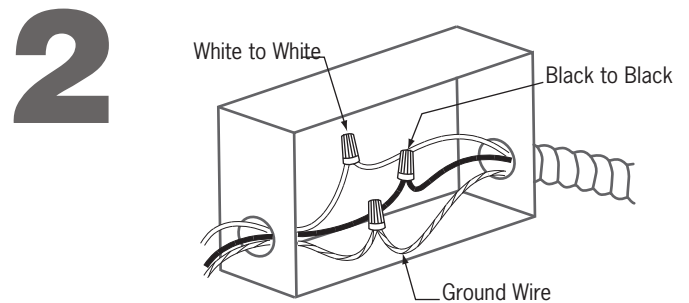
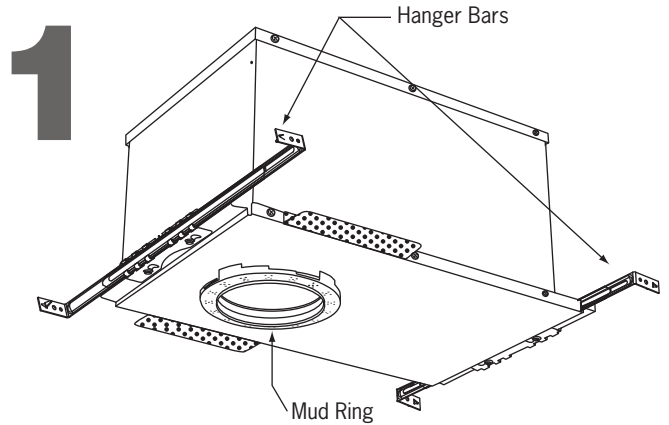
Insert bar hangers into the slots on the plaster frame.  
 Position bar hangers so nail in tabs points away from housing or points down to ceiling.  
 Joist type ceilings: extend bar hangers to fit between joists.  
 Position fixture temporarily by hammering "quick-nail" tabs into joists, secure permanently with nails.  
 Bar hangers and bottom of plaster frame should be level with bottom of joists.

**ELECTRICAL CONNECTIONS:**

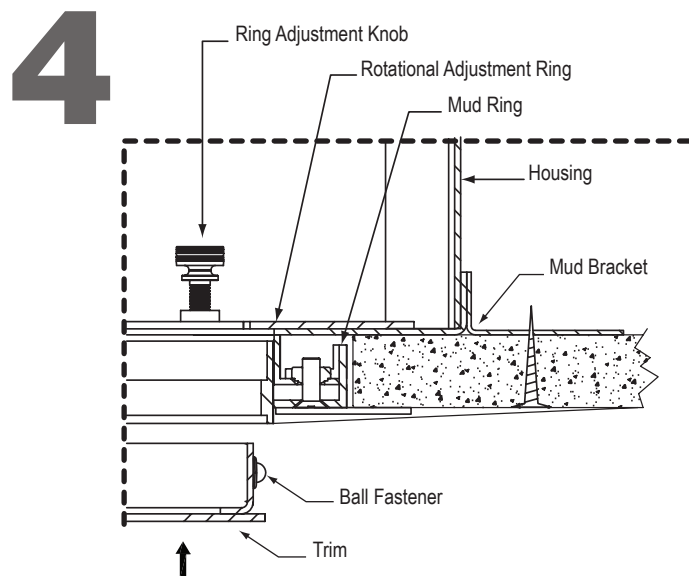
Supply wire must be rated at 90°C or higher.  
 Connect power source to fixture junction box.  
 Connect black to black (hot), white to white (neutral), and green to green (ground) with twist type wire connectors (not provided). (Figure 2)  
 Close junction box cover after wiring (ensure that all wires are safely within box before closing).

**MUD RING:**

Two mud rings are sent with fixture: 1/2" – 1" and 1-1/2" – 2". Select correct mud ring and adjust to correct ceiling thickness by aligning to ceiling thickness and securing to fixture using mounting hole pattern indicated by Ceiling Thickness Mark on mud ring. (Figure 3)  
 Secure mud ring to fixture using four flat head screws provided (for 1/2", 5/8" and 3/4" thick ceilings, use 1/2" screws; for 1" thick ceilings, use 3/4" screws; for 1-1/4", 1-1/2", and 1-3/4" thick ceilings use 1-1/8" screws; for 2" thick ceilings use, 1-5/8" screws).  
 Install drywall up to mud ring. Ceiling cut-out 5-1/2". The two mud frame brackets should contact the top of drywall (inside of ceiling). (Figure 4)  
 Bond fixture to ceiling with one flathead screw through each mud frame bracket. (Figure 4)  
 Apply drywall tape and mudding compound to mud ring covering mud ring, screws, fixture cap and drywall around cutout. Feather mudding compound from mud ring opening to surrounding drywall to produce a smooth, even finish.



*Continued on Page 2*



All specifications subject to change without notice.

For ConTech's limited product warranty, go to [www.contechlighting.com](http://www.contechlighting.com). For a printed copy of the warranty, call 1-847-559-5500.

**LAMPING/TRIMS:**

Lamp bracket accommodates from 1 to 3 accessories.  
 Locking aiming on trim and locking rotation in housing ensures beam alignment when relamping.  
 Connect lamp to socket by pressing lamp firmly into socket holes.  
 Install lamp into trim by placing under lamp bracket.  
 Connect safety cable on trim to fixture through hole in bracket attached to inside top of housing. (Figure 5)  
 Align tab on trim with alignment notch on the 360° aiming ring in housing.  
 Press firmly upwards on trim until ball fastener “clicks” into place.

**RELAMPING:**

Remove trim from ceiling, slide lamp out from under bracket, replace lamp and reinstall trim by lining up alignment tab on trim with alignment notch in housing to ensure correct beam placement.

**HOT AIMING/POWER-ON AIMING:**

Insert Phillips head screw driver through opening in trim (CST403 & CST405).

Adjust lamp to desired position (up to 45°) by inserting screw driver into screw and rotating.

Use aiming angle marks as a visual reference to aim multiple fixtures.

**360° AIMING RING ADJUSTMENT:**

With trim inserted into housing, rotate into position by turning trim up to 360°

Carefully remove trim as to not change position.

Reach into housing and turn knob to lock into place. (Figure 5)

Replace trim into fixture, first align tab on trim with alignment notch on aiming ring.

Press firmly upwards until ball fastener “clicks” into place.

**IMPORTANT SAFETY INSTRUCTIONS:**

- Read all the instructions before installation. Save instructions for later use.
- Turn off power at fuse or circuit breaker box before installation or before doing any maintenance work.
- Product must be grounded to avoid potential electric shock and any other potential hazards.
- Product must be mounted in locations and at heights and in a manner consistent with its intended use, and in compliance with National Electrical Code and local codes. Use of accessory equipment is not recommended.
- Installing contrary to instructions may cause unsafe conditions.
- Do not block light from the trim aperture, in whole or in part, as this may cause unsafe conditions.
- **Warning:** Risk of fire. Most dwellings built before 1985 have supply wire rated at 60°C. Consult a qualified electrician before installation.
- To avoid hazards to children, account for all parts and properly dispose of all packing materials.
- Call the Technical Support department at ConTech Lighting with any installation questions: 847.559.5500.

**5**

