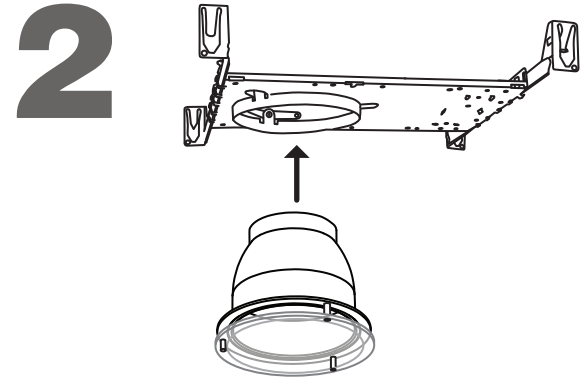
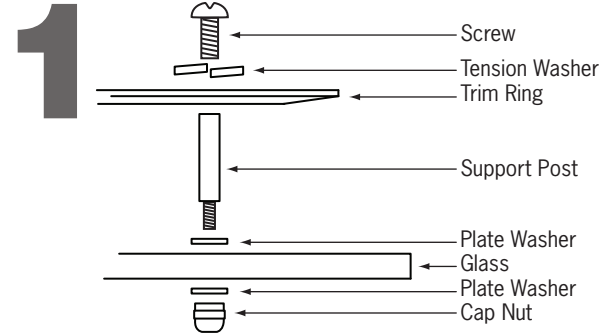


- Assemble screws, tension washers and support on the trim ring. (Figure 1)
- Place reflector cone on the trim ring.
- Assemble socket housing on the top of the reflector by the screw and nut attached on the socket housing.
- Insert trim into the hole in the plaster frame.
- Insert lamps.
- Attach glass lens to trim ring using two (2) plate washers and cap nuts.
- Install three (3) clips on the rim of the plaster frame and push the reflector assembly into the frame. (Figure 2)

## IMPORTANT SAFETY INSTRUCTIONS:

- Read all the instructions before installation. Save instructions for later use.
- Turn off power at fuse or circuit breaker box before installation or before doing any maintenance work.
- Product must be mounted in locations and at heights and in a manner consistent with its intended use, and in compliance with National Electrical Code and local codes. Use of accessory equipment is not recommended.
- Installing contrary to instructions may cause unsafe conditions.
- Do not block light from the trim aperture, in whole or in part, as this may cause unsafe conditions.
- **Warning:** Risk of fire. Most dwellings built before 1985 have supply wire rated at 60°C. Consult a qualified electrician before installation.
- To avoid hazards to children, account for all parts and properly dispose of all packing materials.
- Call the Technical Support department at ConTech Lighting with any installation questions: 847.559.5500.

For ConTech Lighting Floating Glass Trims



*All specifications subject to change without notice.*