

Specifications/Features

Lamp

Energy efficient, 15W PAR30 Long Neck LED lamp
 Designed to last 30,000 hours
 Color management system maintains color consistency over time and temperature
 Correlated Color Temperature of 2700K, Color Rendering Index of 82
 Correlated Color Temperature of 4000K, Color Rendering Index of 85
 Lumen output = 530 (35 Lumens per Watt)
 25° Beam spread; 3,200 CBCP
 Durable die-cast aluminum housing with to protect the LEDs and reflector
 Designed for use in most open, semi-enclosed and enclosed PAR30 light fixtures
 Consult factory for specific luminaire compatibility
Verify fit in fixtures that utilize the face of the lamp for mechanical attachment to ensure compatibility

Dimming

Dimmable to 10% with forward phase/TRIAC dimming.
 For optimal performance, use forward phase/TRIAC dimmer specifically designed for LED lamps.
 Dimming performance may vary due to field conditions, including but not limited to, power quality, installation and wiring, and variations in dimmer production. Please reference the dimmer manufacturer's instructions for dimmer installation and further information.

Electrical

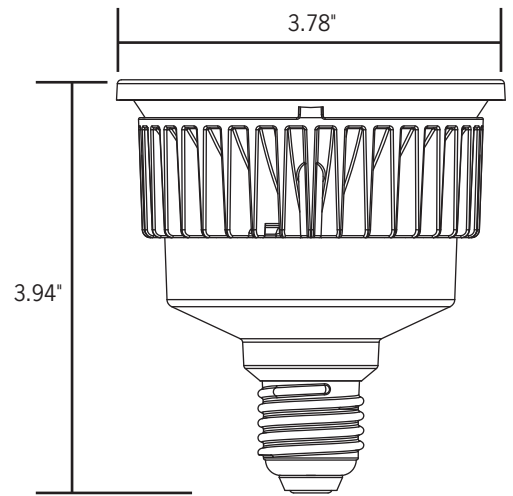
15W, 120V E26 base

Warranty

This complete fixture is covered by a full three (3) year replacement guarantee after date of purchase.

Listing

UL & cULus listed. Suitable for damp locations.
 RoHS compliant, contains no lead or mercury.



Ordering Information

Example Order:

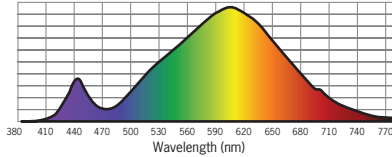
Lamp	Beam	Base	Color Temp	Voltage
<input type="text" value="LR0215D"/>	<input type="text" value="75H25D - 25°"/>	<input type="text" value="E26"/>	<input type="text" value="2700K - 2700K
4000K - 4000K"/>	<input type="text" value="120V"/>

Photometrics

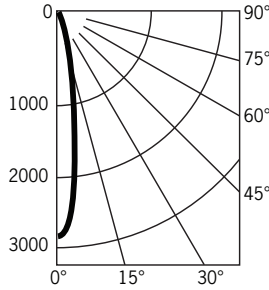
LR0215D-75H25D-E26-2700K-120V

Designed for 30,000 Hour Lamp Life¹

Light Output (Fixture Delivered Lumens): 530
 Total Watts@120V: 15
 Lumens Per Watt: 35
 Color Rendering Index (CRI)²: 82
 Color Temperature (CCT)³: 2700K Warm White
 Spectral Power Distribution Chart⁴



Candela Curve



Candlepower Summary

FROM 0	CANDELA	LUMENS
0	3206	
5	2560	69
15	497	228
25	94	80
35	55	38
45	50	33
55	46	40
65	16	33
75	4	7
85	2	5
95	0	

Intensity Distribution

DISTANCE (FT.)	FOOTCANDLES (FC)	BEAM DIAMETER (FT.)
4'	200.0	7.0
6'	88.9	10.5
8'	50.0	14.1
10'	32.0	17.6
12'	22.2	21.1
14'	16.3	24.6

Beam Distribution: 25°

1. Dependent on surrounding temperatures
 2. Accuracy of rendering colors
 3. Color appearance of light source
 4. Colors present within the light source

Dimmer Compatibility

Manufacturer	Model No.	Voltage (V)	Wattage (W)	Min. Number of LED Lamp(s) Compatible*	Max. Number of LED Lamp(s) Compatible*
Leviton	6633-P	120	600	1	6
Lutron	DV-600P	120	600	1	6
Leviton	6681	120	600	1	6
Lutron	MIR-600	120	600	1	6
Lutron	TG-600P	120	600	1	6
Leviton	IPI06	120	600	1	6
Lutron	TG-603P	120	500	1	6
Lutron	MA-600	120	600	1	6
Lutron	AY-103P	120	1000	1	6
Neptun	Apollo 80005	120	600	1	6
Leviton	6631-LW	120	600	1	6
Leviton	6161-I	120	600	1	6
Leviton	IPM06-1LZ	120	600	1	6
Electric	EL-34934	120	600	1	6
Lutron	Ctcl-153P	120	150	1	6
Leviton	OG3703	120	600	1	6
Leviton	6602-W	120	600	1	6
Leviton	6683-IW	120	600	1	6

*The minimum and maximum number of LED lamps compatible depends upon the performance of the dimmer, which is subject to the status of the manufacturer's technology. Due to possible variations in country dimmer module specifications, please contact your local distributor for a list of compatible dimmers before installation.