

# LR064145/DM

## 14.5W LED PAR30S Lamp, E26 Base

### Specifications/Features

#### Lamp

Energy efficient, 14.5W PAR30S LED lamp  
 Designed to last 25,000 hours  
 Color management system maintains color consistency over time and temperature  
 Correlated Color Temperature of 2700K, Color Rendering Index of 82  
 Correlated Color Temperature of 3000K, Color Rendering Index of 82;  
 High CRI of 95 available  
 Correlated Color Temperature of 3500K, Color Rendering Index of 82  
 Correlated Color Temperature of 4000K, Color Rendering Index of 85  
 Lumen output = 1,300 (90 Lumens per Watt); 1,100 (76 Lumens per Watt) for high CRI lamp  
 25° Beam spread; 4,000 CBCP; 3,500 for high CRI lamp  
 Durable plastic housing to protect the LEDs  
 Designed for use in most open, semi-enclosed and enclosed PAR30S light fixtures.  
 Consult factory for specific luminaire compatibility  
 Verify fit in fixtures that utilize the face of the lamp for mechanical attachment to ensure compatibility

#### Dimming

Dimmable to 10% with forward phase/TRIAC dimming.  
 For optimal performance, use forward phase/TRIAC dimmer specifically designed for LED lamps.  
 Dimming performance may vary due to field conditions, including but not limited to, power quality, installation and wiring, and variations in dimmer production. Please reference the dimmer manufacturer's instructions for dimmer installation and further information.

#### Electrical

14.5W, 120V E26 base

#### Warranty

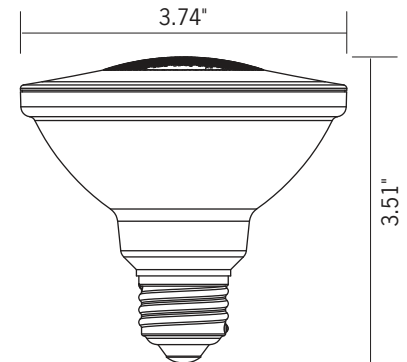
This complete fixture is covered by a full three (3) year replacement guarantee after date of purchase.

#### Listing

UL & cULus listed. Suitable for damp locations.  
 RoHS compliant, contains no lead or mercury.  
 For UL/Energy Star listed part numbers, please refer to the cross reference part number table on page 2 of this document.



**MEGAMAN**®



### Ordering Information

Example Order:

Lamp	Beam	Base	Color Temp

**LR064145/DM** - Standard CRI  
**LR064145/DM/R9** - High CRI

**FL** - 25° Flood

**E26**

**827** - 2700K, Standard CRI  
**830** - 3000K, Standard CRI  
**835** - 3500K, Standard CRI  
**840** - 4000K, Standard CRI  
**930** - 3000K, High CRI

# LR064145/DM

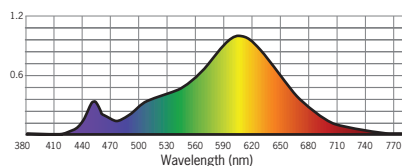
## 14.5W LED PAR30S Lamp, E26 Base

### Photometrics

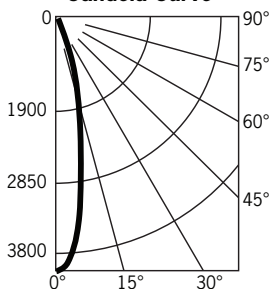
#### LR064145/DM-FL-E26-827

Designed for 25,000 Hour Lamp Life<sup>1</sup>

Light Output (Fixture Delivered Lumens): 1300  
 Total Watts@120V: 14.5  
 Lumens Per Watt: 90  
 Color Rendering Index (CRI)<sup>2</sup>: 82  
 Color Temperature (CCT)<sup>3</sup>: 2700K  
 Spectral Power Distribution Chart<sup>4</sup>



#### Candela Curve



#### Candlepower Summary

FROM 0	CANDELA	LUMENS
0	4105	
5	3474	108
15	1433	423
25	472	298
35	200	162
45	114	102
55	66	74
65	39	47
75	26	33
85	17	23
95	6	12

#### Intensity Distribution

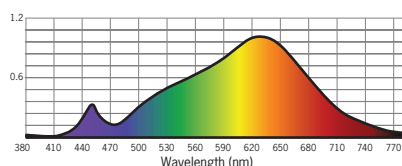
DISTANCE (FT.)	FOOTCANDLES (FC)	BEAM DIAMETER (FT.)
4'	263.3	1.6
6'	117.0	2.5
8'	65.8	3.3
10'	42.1	4.1
12'	29.3	4.9
14'	21.5	5.7

**Beam Distribution: 25°**

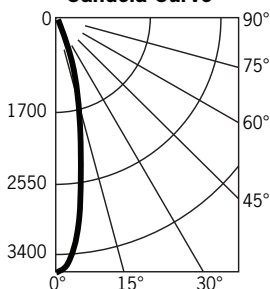
#### LR064145/DM/R9-FL-E26-930

Designed for 25,000 Hour Lamp Life<sup>1</sup>

Light Output (Fixture Delivered Lumens): 1133  
 Total Watts@120V: 14.5  
 Lumens Per Watt: 78  
 Color Rendering Index (CRI)<sup>2</sup>: 95  
 Color Temperature (CCT)<sup>3</sup>: 3000K  
 Spectral Power Distribution Chart<sup>4</sup>



#### Candela Curve



#### Candlepower Summary

FROM 0	CANDELA	LUMENS
0	3597	
5	3044	94
15	1256	371
25	414	262
35	175	141
45	100	89
55	58	65
65	34	41
75	23	29
85	15	20
95	5	11

#### Intensity Distribution

DISTANCE (FT.)	FOOTCANDLES (FC)	BEAM DIAMETER (FT.)
4'	230.7	1.6
6'	102.5	2.5
8'	57.7	3.3
10'	36.9	4.1
12'	25.6	4.9
14'	18.8	5.7

**Beam Distribution: 25°**

1. Dependent on surrounding temperatures
2. Accuracy of rendering colors
3. Color appearance of light source
4. Colors present within the light source

### UL/Energy Star Part Number Cross Reference

ConTech Part Number	UL/Energy Star Records Part Number
LR064145/DM-FL-E26-827	LR064145/dm-DGv10-FL+E26+827+V0120
LR064145/DM-FL-E26-830	LR064145/dm-DGv10-FL+E26+830+V0120
LR064145/DM-FL-E26-835	LR064145/dm-DGv10-FL+E26+835+V0120
LR064145/DM-FL-E26-840	LR064145/dm-DGv10-FL+E26+840+V0120
LR064145/DM/R9-FL-E26-930	LR064145/dm/R9-DGv10-FL+E26+930+V0120