

Specifications/Features

Lamp

Energy efficient, 7W PAR20 LED lamp
 Designed to last 25,000 hours
 Color management system maintains color consistency over time and temperature
 Correlated Color Temperature of 2700K, Color Rendering Index of 82
 Correlated Color Temperature of 3000K, Color Rendering Index of 82
 Correlated Color Temperature of 3500K, Color Rendering Index of 82
 Correlated Color Temperature of 4000K, Color Rendering Index of 85
 Lumen output = 600 (86 Lumens per Watt)
 30° Beam spread with Max. Luminous Intensity (cd) of 900
 Durable plastic housing to protect the LEDs
 Designed for use in most open, semi-enclosed and enclosed PAR20 light fixtures.
 Consult factory for specific luminaire compatibility
 Verify fit in fixtures that utilize the face of the lamp for mechanical attachment to ensure compatibility

Dimming

Dimmable to 10% with forward phase/TRIAC dimming.
 For optimal performance, use forward phase/TRIAC dimmer specifically designed for LED lamps.
 Dimming performance may vary due to field conditions, including but not limited to, power quality, installation and wiring, and variations in dimmer production. Please reference the dimmer manufacturer's instructions for dimmer installation and further information.

Electrical

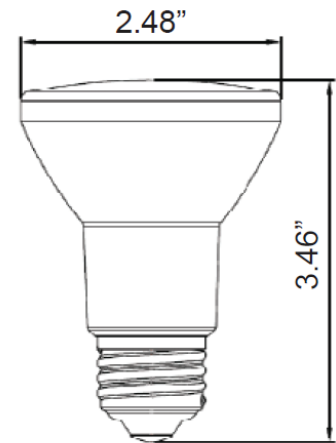
7W, 120V E26 base

Warranty

This complete fixture is covered by a full three (3) year replacement guarantee after date of purchase.

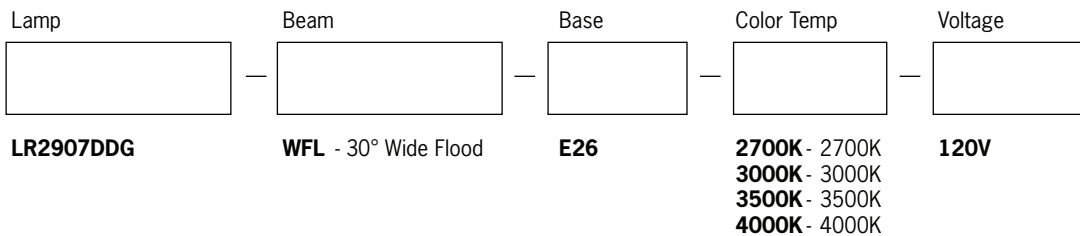
Listing

UL & cULus listed. Suitable for damp locations.
 Energy Star listed.
 RoHS compliant, contains no lead or mercury



Ordering Information

Example Order:

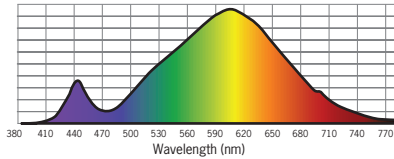


Photometrics

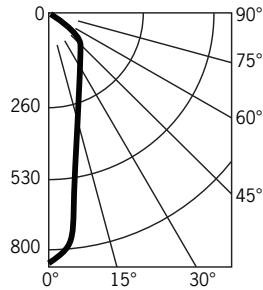
LR2907D-E26-2700K-120V

Designed for 25,000 Hour Lamp Life¹

Light Output (Fixture Delivered Lumens): 600
 Total Watts@120V: 7
 Lumens Per Watt: 86
 Color Rendering Index (CRI)²: 82
 Color Temperature (CCT)³: 2700K Warm White
 Spectral Power Distribution Chart⁴



Candela Curve



Candlepower Summary

FROM 0	CANDELA	LUMENS
0	881	
5	749	19
15	337	50
25	213	49
35	167	52
45	131	52
55	91	44
65	42	26
75	18	12
85	7	5
95	0	0

Intensity Distribution

DISTANCE (FT.)	FOOTCANDLES (FC)	BEAM DIAMETER (FT.)
4'	55.1	1.9
6'	24.5	2.9
8'	13.8	3.8
10'	8.8	4.8
12'	6.1	5.7
14'	4.5	6.7

Beam Distribution: 30°

1. Dependent on surrounding temperatures
 2. Accuracy of rendering colors
 3. Color appearance of light source
 4. Colors present within the light source

Incandescent Dimmer Compatibility

Manufacturer	Model No.	Voltage (V)	Wattage (W)	Min. Number of LED Lamp(s) Compatible*	Max. Number of LED Lamp(s) Compatible*
Leviton	6633-P	120	600	1	6
Lutron	DV-600P	120	600	1	6
Leviton	6681	120	600	1	6
Lutron	MIR-600	120	600	1	6
Lutron	TG-600P	120	600	1	6
Leviton	IPIO6	120	600	1	6
Lutron	TG-603P	120	500	1	6
Lutron	MA-600	120	600	1	6
Lutron	AY-103P	120	1000	1	6
Neptun	Apollo 80005	120	600	1	6
Leviton	6631-LW	120	600	1	6
Leviton	6161-I	120	600	1	6
Leviton	IPM06-1LZ	120	600	1	6
Electric	EL-34934	120	600	1	6
Lutron	Ctcl-153P	120	150	1	6
Leviton	OG3703	120	600	1	6
Leviton	6602-W	120	600	1	6
Leviton	6683-IW	120	600	1	6

*The minimum and maximum number of LED lamps compatible depends upon the performance of the dimmer, which is subject to the status of the manufacturer's technology. Due to possible variations in country dimmer module specifications, please contact your local distributor for a list of compatible dimmers before installation.

LED Dimmer Compatibility

Manufacturer	Model No.	Voltage (V)	LED Lamp Max Wattage (W)	Number of LED Lamp(s) Tested	Performance: High-End Dimmer Setting*	Performance: Low-End Dimmer Setting*	Remarks*
Leviton	6674	120V	150W	1-7	Good	Excellent	
Lutron	DVCL-153P CTCL-153P TGCL-153P	120V	150W	1-7	Good	Excellent	21 Lamp Test Resulted in Good Performance

***Dimming Performance Rating**

High-End Dimming Performance:

Excellent >90%
Good 80-90%
Fair 70-80%

Low End Dimming Performance:

Excellent <10%
Good 10-20%
Fair 20-30%