

Specifications/Features

Lamp

Energy efficient, 18W PAR38 LED lamp
 Designed to last 25,000 hours
 Color management system maintains color consistency over time and temperature
 Correlated Color Temperature of 2700K, Color Rendering Index of 82
 Correlated Color Temperature of 3000K, Color Rendering Index of 82;
 High CRI of 95 available
 Correlated Color Temperature of 3500K, Color Rendering Index of 82
 Correlated Color Temperature of 4000K, Color Rendering Index of 85
 Lumen output = 1400 (78 Lm/W); 1200 (67 Lm/W) for High CRI lamp
 25° Beam spread: 8,700 CBCP; 7,400 CBCP for High CRI lamp
 45° Beam spread: 2,950 CBCP; 2,380 CBCP for High CRI lamp
 Durable plastic housing to protect the LEDs and reflector
 Designed for use in most open, semi-enclosed and enclosed PAR38 light fixtures
 Consult factory for specific luminaire compatibility
 Verify fit in fixtures that utilize the face of the lamp for mechanical attachment to ensure compatibility

Dimming

Dimmable to 10% with forward phase/TRIAC dimming.
 For optimal performance, use forward phase/TRIAC dimmer specifically designed for LED lamps.
 Dimming performance may vary due to field conditions, including but not limited to, power quality, installation and wiring, and variations in dimmer production. Please reference the dimmer manufacturer's instructions for dimmer installation and further information.

Electrical

18W, 120V E26 or GU24 base

Warranty

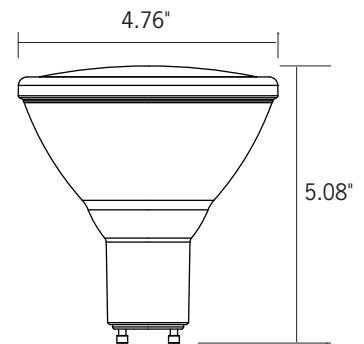
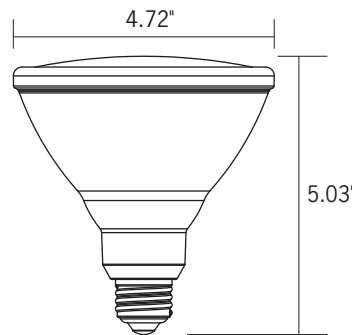
This complete fixture is covered by a full three (3) year replacement guarantee after date of purchase.

Listing

UL & cULus listed. Suitable for wet locations.
 RoHS compliant, contains no lead or mercury.
 Energy Star listed.

Ordering Information

Example Order:



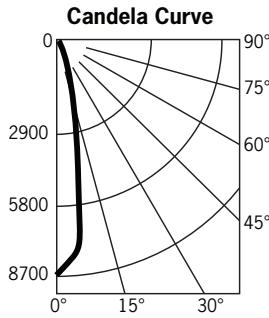
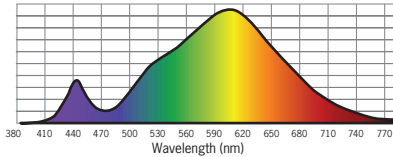
Lamp	Beam	Base	Color Temp	Voltage
<input type="text" value="LR3218D"/>	<input type="text" value="250H45D"/>	<input type="text" value="E26"/>	<input type="text" value="2700K"/>	<input type="text" value="120V"/>
LR3218D - Standard CRI (82) LR3218DR9 - High CRI (95)* <small>*High CRI lamp only available with E26 Base in 3000K</small>	250H25D - 25° 250H45D - 45° 150H25D - 25°, High CRI 150H45D - 45°, High CRI	E26 - E26 Base GU24 - GU24 Base	2700K - 2700K 3000K - 3000K 3500K - 3500K 4000K - 4000K	120V

Photometrics

LR3218D-250H25D-E26-2700K-120V; LR3218D-250H25D-GU24-2700K-120V

Designed for 25,000 Hour Lamp Life¹

Light Output (Fixture Delivered Lumens): 1491
Total Watts@120V: 18
Lumens Per Watt: 83
Color Rendering Index (CRI)²: 82
Color Temperature (CCT)³: 2700K Warm White
Spectral Power Distribution Chart⁴



FROM 0	CANDELA	LUMENS
0	8708	
5	7668	196
15	2146	872
25	240	333
35	30	55
45	12	15
55	9	8
65	5	6
75	2	4
85	1	2
95	0	

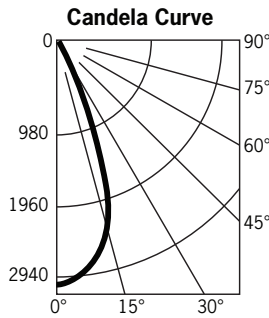
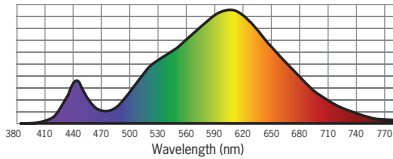
DISTANCE (FT.)	FOOTCANDLES (FC)	BEAM DIAMETER (FT.)
4'	544.3	1.7
6'	241.9	2.5
8'	136.1	3.4
10'	87.1	4.2
12'	60.5	5.1
14'	44.4	5.9

Beam Distribution: 25°

LR3218D-250H45D-E26-2700K-120V; LR3218D-250H45D-GU24-2700K-120V

Designed for 25,000 Hour Lamp Life¹

Light Output (Fixture Delivered Lumens): 1436
Total Watts@120V: 18
Lumens Per Watt: 80
Color Rendering Index (CRI)²: 82
Color Temperature (CCT)³: 2700K Warm White
Spectral Power Distribution Chart⁴



FROM 0	CANDELA	LUMENS
0	2957	
5	2896	70
15	2305	495
25	668	522
35	160	170
45	100	90
55	51	58
65	8	22
75	3	6
85	1	2
95	0	

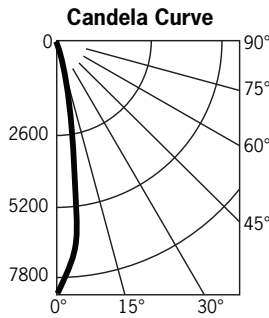
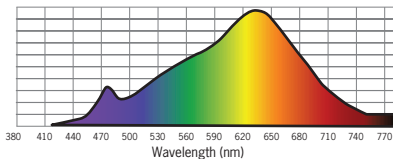
DISTANCE (FT.)	FOOTCANDLES (FC)	BEAM DIAMETER (FT.)
4'	184.8	2.9
6'	82.1	4.3
8'	46.2	5.7
10'	29.6	7.2
12'	20.5	8.6
14'	15.1	10.0

Beam Distribution: 45°

LR3218D-150H25D-E26-3000K-120V

Designed for 25,000 Hour Lamp Life¹

Light Output (Fixture Delivered Lumens): 1200
Total Watts@120V: 18
Lumens Per Watt: 67
Color Rendering Index (CRI)²: 95
Color Temperature (CCT)³: 3000K Warm White
Spectral Power Distribution Chart⁴



FROM 0	CANDELA	LUMENS
0	7879	
5	6633	364
15	1202	511
25	130	86
35	106	62
45	119	86
55	118	105
65	9	20
75	7	7
85	2	4
95	1	1

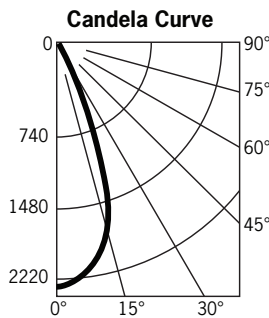
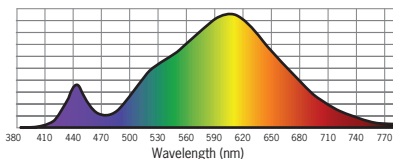
DISTANCE (FT.)	FOOTCANDLES (FC)	BEAM DIAMETER (FT.)
4'	493.0	1.6
6'	219.0	2.4
8'	123.0	3.2
10'	79.0	4.0
12'	55.0	4.8
14'	40.0	5.6

Beam Distribution: 25°

LR3218D-150H45D-E26-3000K-120V

Designed for 25,000 Hour Lamp Life¹

Light Output (Fixture Delivered Lumens): 1200
Total Watts@120V: 18
Lumens Per Watt: 67
Color Rendering Index (CRI)²: 95
Color Temperature (CCT)³: 3000K Warm White
Spectral Power Distribution Chart⁴



FROM 0	CANDELA	LUMENS
0	2200	
5	2177	117
15	1700	435
25	602	351
35	159	128
45	135	100
55	129	115
65	13	27
75	6	8
85	3	4
95	1	1

DISTANCE (FT.)	FOOTCANDLES (FC)	BEAM DIAMETER (FT.)
4'	162.0	3.1
6'	72.0	4.7
8'	41.0	6.2
10'	26.0	7.8
12'	18.0	9.3
14'	13.0	10.9

Beam Distribution: 45°

1. Dependent on surrounding temperatures
2. Accuracy of rendering colors
3. Color appearance of light source
4. Colors present within the light source

Incandescent Dimmer Compatibility

Manufacturer	Model No.	Voltage (V)	Wattage (W)	Min. Number of LED Lamp(s) Compatible*	Max. Number of LED Lamp(s) Compatible*
Leviton	6633-P	120	600	1	6
Lutron	DV-600P	120	600	1	6
Leviton	6681	120	600	1	6
Lutron	MIR-600	120	600	1	6
Lutron	TG-600P	120	600	1	6
Leviton	IPIO6	120	600	1	6
Lutron	TG-603P	120	500	1	6
Lutron	MA-600	120	600	1	6
Lutron	AY-103P	120	1000	1	6
Neptun	Apollo 80005	120	600	1	6
Leviton	6631-LW	120	600	1	6
Leviton	6161-I	120	600	1	6
Leviton	IPM06-1LZ	120	600	1	6
Electric	EL-34934	120	600	1	6
Lutron	Ctcl-153P	120	150	1	6
Leviton	OG3703	120	600	1	6
Leviton	6602-W	120	600	1	6
Leviton	6683-IW	120	600	1	6

*The minimum and maximum number of LED lamps compatible depends upon the performance of the dimmer, which is subject to the status of the manufacturer's technology. Due to possible variations in country dimmer module specifications, please contact your local distributor for a list of compatible dimmers before installation.

LED Dimmer Compatibility

Manufacturer	Model No.	Voltage (V)	LED Lamp Max Wattage (W)	Number of LED Lamp(s) Tested	Performance: High-End Dimmer Setting*	Performance: Low-End Dimmer Setting*	Remarks*
Leviton	6674	120V	150W	1-7	Excellent	Good	
Lutron	DVCL-153P CTCL-153P TGCL-153P	120V	150W	1-7	Excellent	Good	8 Lamp Test Resulted in Good Performance

***Dimming Performance Rating**

High-End Dimming Performance:

Excellent >90%
Good 80-90%
Fair 70-80%

Low End Dimming Performance:

Excellent <10%
Good 10-20%
Fair 20-30%