

**Specifications/Features**

**Lamp**

Energy efficient, 15W PAR38 LED lamp  
 Designed to last 25,000 hours  
 Color management system maintains color consistency over time and temperature  
 Correlated Color Temperature of 2700K, Color Rendering Index of 82  
 Correlated Color Temperature of 3000K, Color Rendering Index of 82  
 Correlated Color Temperature of 3500K, Color Rendering Index of 82  
 Correlated Color Temperature of 4000K, Color Rendering Index of 85  
 Lumen output = 1100 (73 Lumens per Watt)  
 10° Beam spread with CBCP of 20,000  
 Durable plastic housing with lens to protect the LEDs  
 Designed for use in most open, semi-enclosed and enclosed PAR38 light fixtures  
 Consult factory for specific luminaire compatibility  
 Verify fit in fixtures that utilize the face of the lamp for mechanical attachment to ensure compatibility

**Dimming**

Dimmable to 10% with forward phase/TRIAC dimming.  
 For optimal performance, use forward phase/TRIAC dimmer specifically designed for LED lamps.  
 Dimming performance may vary due to field conditions, including but not limited to, power quality, installation and wiring, and variations in dimmer production. Please reference the dimmer manufacturer's instructions for dimmer installation and further information.

**Electrical**

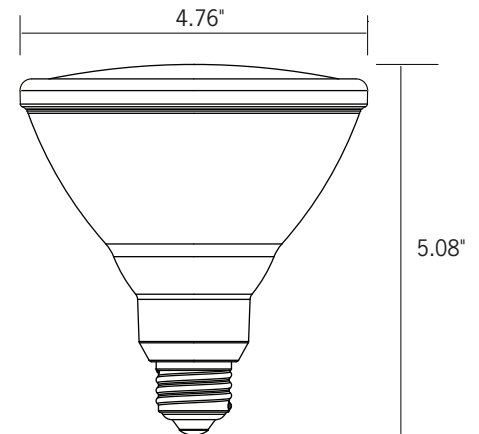
15W, 120V E26 base

**Warranty**

Covered by a full three (3) year replacement guarantee after date of purchase.

**Listing**

UL & cULus listed. Suitable for wet locations  
 RoHS compliant, contains no lead or mercury



**Ordering Information**

Example Order:

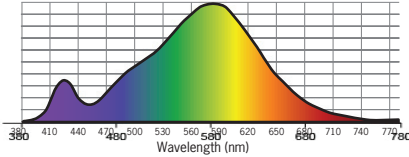
Lamp	Beam	Base	Color Temp	Voltage
<input type="text" value="LR3615DHR"/>	<input type="text" value="SP - 10° Spot"/>	<input type="text" value="E26 - E26 Base"/>	<input type="text" value="2700K - 2700K&lt;br/&gt;3000K - 3000K&lt;br/&gt;3500K - 3500K&lt;br/&gt;4000K - 4000K"/>	<input type="text" value="120V"/>

**Photometrics**

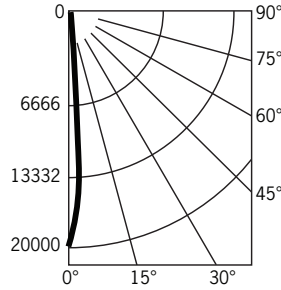
**LR3615DHR-SP-E26-2700K-120V**

Designed for 25,000 Hour Lamp Life<sup>1</sup>

Light Output (Fixture Delivered Lumens): 1100  
 Total Watts@120V: 15  
 Lumens Per Watt: 73  
 Color Rendering Index (CRI)<sup>2</sup>: 82  
 Color Temperature (CCT)<sup>3</sup>: 2700K Warm White  
 Spectral Power Distribution Chart<sup>4</sup>



**Candela Curve**



**Candlepower Summary**

FROM 0	CANDELA	LUMENS
0	19539	
5	9219	328
15	698	383
25	174	138
35	66	54
45	49	40
55	36	33
65	15	51
75	6	10
85	3	5
95	2	1

**Intensity Distribution**

DISTANCE (FT.)	FOOTCANDLES (FC)	BEAM DIAMETER (FT.)
4'	1221.2	0.7
6'	542.8	1.0
8'	305.3	1.4
10'	195.4	1.7
12'	135.7	2.1
14'	99.7	2.4

**Beam Distribution: 10°**

1. Dependent on surrounding temperatures  
 2. Accuracy of rendering colors  
 3. Color appearance of light source  
 4. Colors present within the light source

**Incandescent Dimmer Compatibility**

Manufacturer	Model No.	Voltage (V)	Wattage (W)	Min. Number of LED Lamp(s) Compatible*	Max. Number of LED Lamp(s) Compatible*
Leviton	6633-P	120	600	1	6
Lutron	DV-600P	120	600	1	6
Leviton	6681	120	600	1	6
Lutron	MIR-600	120	600	1	6
Lutron	TG-600P	120	600	1	6
Leviton	IPIO6	120	600	1	6
Lutron	TG-603P	120	500	1	6
Lutron	MA-600	120	600	1	6
Lutron	AY-103P	120	1000	1	6
Neptun	Apollo 80005	120	600	1	6
Leviton	6631-LW	120	600	1	6
Leviton	6161-I	120	600	1	6
Leviton	IPM06-1LZ	120	600	1	6
Electric	EL-34934	120	600	1	6
Lutron	Ctcl-153P	120	150	1	6
Leviton	OG3703	120	600	1	6
Leviton	6602-W	120	600	1	6
Leviton	6683-IW	120	600	1	6

\*The minimum and maximum number of LED lamps compatible depends upon the performance of the dimmer, which is subject to the status of the manufacturer's technology. Due to possible variations in country dimmer module specifications, please contact your local distributor for a list of compatible dimmers before installation.

**LED Dimmer Compatibility**

Manufacturer	Model No.	Voltage (V)	LED Lamp Max Wattage (W)	Number of LED Lamp(s) Tested	Performance: High-End Dimmer Setting*	Performance: Low-End Dimmer Setting*	Remarks*
Leviton	6674	120V	150W	1-7	Good	Excellent	
Lutron	DVCL-153P CTCL-153P TGCL-153P	120V	150W	1-7	Good	Excellent	10 Lamp Test Resulted in Good Performance

**\*Dimming Performance Rating**

**High-End Dimming Performance:**

Excellent >90%  
Good 80-90%  
Fair 70-80%

**Low End Dimming Performance:**

Excellent <10%  
Good 10-20%  
Fair 20-30%