

**Specifications/Features**

**Lamp**

Energy efficient, 10.5W PAR30L LED lamp  
 Designed to last 25,000 hours  
 Color management system maintains color consistency over time and temperature  
 Correlated Color Temperature of 2700K, Color Rendering Index of 82  
 Correlated Color Temperature of 3000K, Color Rendering Index of 82  
 Correlated Color Temperature of 3500K, Color Rendering Index of 82  
 Correlated Color Temperature of 4000K, Color Rendering Index of 85  
 Lumen output = 800 (76 Lumens per Watt)  
 35° Beam spread; 2,200 CBCP  
 Durable plastic housing to protect the LEDs  
 Designed or use in most open, semi-enclosed and enclosed PAR30L light fixtures.  
 Consult factory for specific luminaire compatibility  
 Verify fit in fixtures that utilize the face of the lamp for mechanical attachment to ensure compatibility

**Dimming**

Dimmable to 10% with forward phase/TRIAC dimming.  
 For optimal performance, use forward phase/TRIAC dimmer specifically designed for LED lamps.  
 Dimming performance may vary due to field conditions, including but not limited to, power quality, installation and wiring, and variations in dimmer production. Please reference the dimmer manufacturer's instructions for dimmer installation and further information.

**Electrical**

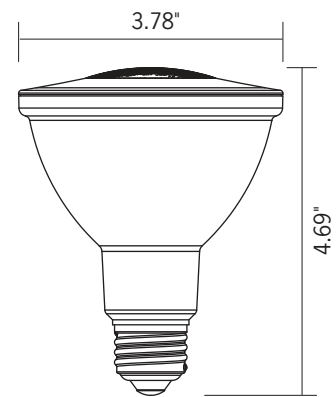
10.5W, 120V E26 base

**Warranty**

This complete fixture is covered by a full three (3) year replacement guarantee after date of purchase.

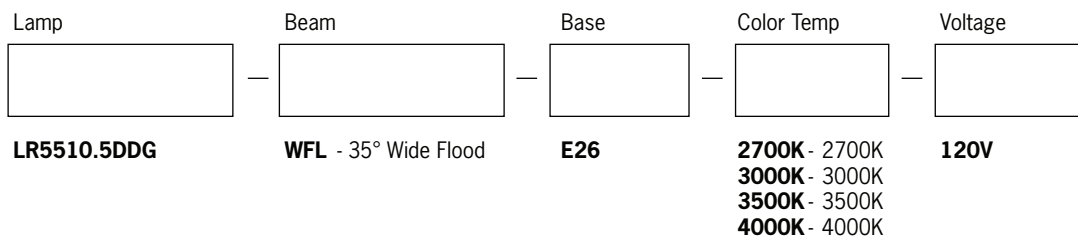
**Listing**

UL & cULus listed. Suitable for damp locations.  
 Energy Star Listed.  
 RoHS compliant, contains no lead or mercury



**Ordering Information**

Example Order: LR5510.5DDG-WFL-E26-2700K-120V

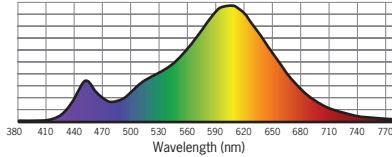


**Photometrics**

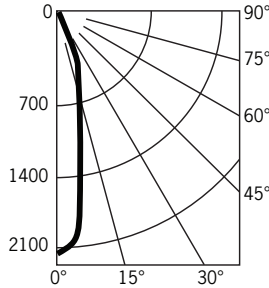
**LR5510.5DDG-WFL-E26-2700K-120V**

Designed for 25,000 Hour Lamp Life<sup>1</sup>

Light Output (Fixture Delivered Lumens): 780  
 Total Watts@120V: 10.5  
 Lumens Per Watt: 74  
 Color Rendering Index (CRI)<sup>2</sup>: 82  
 Color Temperature (CCT)<sup>3</sup>: 2700K Warm White  
 Spectral Power Distribution Chart<sup>4</sup>



**Candela Curve**



**Candlepower Summary**

FROM 0	CANDELA	LUMENS
0	2141	
5	1953	49
15	904	263
25	309	203
35	102	100
45	53	52
55	33	35
65	25	27
75	23	25
85	15	20
95	0	0

**Intensity Distribution**

DISTANCE (FT.)	FOOTCANDLES (FC)	BEAM DIAMETER (FT.)
4'	133.8	8.3
6'	59.5	12.4
8'	33.5	16.5
10'	21.4	20.7
12'	14.9	24.8
14'	10.9	29.0

**Beam Distribution: 35°**

1. Dependent on surrounding temperatures  
 2. Accuracy of rendering colors  
 3. Color appearance of light source  
 4. Colors present within the light source

**Dimmer Compatibility**

Manufacturer	Model No.	Voltage (V)	Wattage (W)	Min. Number of LED Lamp(s) Compatible*	Max. Number of LED Lamp(s) Compatible*
Leviton	6633-P	120	600	1	6
Lutron	DV-600P	120	600	1	6
Leviton	6681	120	600	1	6
Lutron	MIR-600	120	600	1	6
Lutron	TG-600P	120	600	1	6
Leviton	IPI06	120	600	1	6
Lutron	TG-603P	120	500	1	6
Lutron	MA-600	120	600	1	6
Lutron	AY-103P	120	1000	1	6
Neptun	Apollo 80005	120	600	1	6
Leviton	6631-LW	120	600	1	6
Leviton	6161-I	120	600	1	6
Leviton	IPM06-1LZ	120	600	1	6
Electric	EL-34934	120	600	1	6
Lutron	Ctcl-153P	120	150	1	6
Leviton	OG3703	120	600	1	6
Leviton	6602-W	120	600	1	6
Leviton	6683-IW	120	600	1	6

\*The minimum and maximum number of LED lamps compatible depends upon the performance of the dimmer, which is subject to the status of the manufacturer's technology. Due to possible variations in country dimmer module specifications, please contact your local distributor for a list of compatible dimmers before installation.