

Specifications/Features

Lamp

Energy efficient, 6W PAR16 LED lamp
 Designed to last 25,000 hours
 Color management system maintains color consistency over time and temperature
 Correlated Color Temperature of 2700K, Color Rendering Index of 82
 Correlated Color Temperature of 3000K, Color Rendering Index of 82
 Correlated Color Temperature of 3500K, Color Rendering Index of 82
 Correlated Color Temperature of 4000K, Color Rendering Index of 85
 Lumen output = 550 (92 Lumens per Watt)
 24° Beam spread, 2,100 CBCP
 35° Beam spread, 1,240 CBCP
 Durable die-cast aluminum housing with lens to protect the LEDs and reflector.
 Designed for use in most open, semi-enclosed and enclosed PAR16 light fixtures.
 Consult factory for specific luminaire compatibility.
 Verify fit in fixtures that utilize the face of the lamp for mechanical attachment to ensure compatibility.

Dimming

Dimmable to 10% with both forward/reverse phase dimming.
 For optimal performance, use dimmer specifically designed for LED lamps.
 Dimming performance may vary due to field conditions, including but not limited to, power quality, installation and wiring, and variations in dimmer production. Please reference the dimmer manufacturer's instructions for dimmer installation and further information.

Electrical

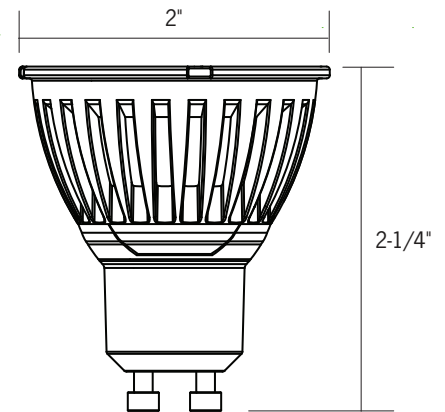
6W, 120V GU10 base

Warranty

Covered by a full three (3) year replacement guarantee after date of purchase.

Listing

UL & cULus listed. Suitable for damp locations.
 RoHS compliant, contains no lead or mercury.



Ordering Information

Example Order:

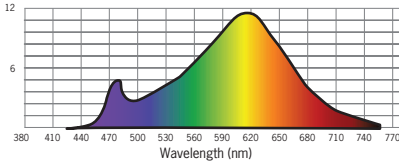
Lamp	Beam	Base	Color Temp	Voltage
<input type="text" value="LR5906DHR"/>	<input type="text" value="75H24D - 24°
75H35D - 35°"/>	<input type="text" value="GU10 - GU10 Base"/>	<input type="text" value="2700K - 2700K
3000K - 3000K
3500K - 3500K
4000K - 4000K"/>	<input type="text" value="120V"/>

Photometrics

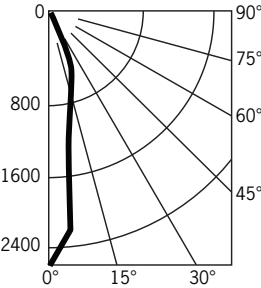
LR5906DHR-75H24D-GU10-2700K-120V

Designed for 25,000 Hour Lamp Life¹

Light Output (Fixture Delivered Lumens): 604
 Total Watts@120V: 6.2
 Lumens Per Watt: 97.4
 Color Rendering Index (CRI)²: 82
 Color Temperature (CCT)³: 2700K
 Spectral Power Distribution Chart⁴



Candela Curve



Candlepower Summary

FROM 0	CANDELA	LUMENS
0	2413	
5	2034	97
15	713	101
25	223	52
35	82	26
45	29	11
55	15	7
65	9	5
75	5	3
85	2	1
95	1	0

Intensity Distribution

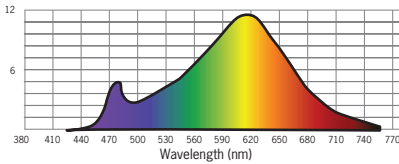
DISTANCE (FT.)	FOOTCANDLES (FC)	BEAM DIAMETER (FT.)
4'	150.9	1.7
6'	67.1	2.6
8'	37.7	3.5
10'	24.1	4.3
12'	16.8	5.2
14'	12.3	6.0

Beam Distribution: 24°

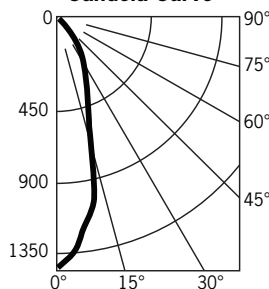
LR5906DHR-75H35D-GU10-2700K-120V

Designed for 25,000 Hour Lamp Life¹

Light Output (Fixture Delivered Lumens): 614
 Total Watts@120V: 6.2
 Lumens Per Watt: 99.0
 Color Rendering Index (CRI)²: 82
 Color Temperature (CCT)³: 2700K
 Spectral Power Distribution Chart⁴



Candela Curve



Candlepower Summary

FROM 0	CANDELA	LUMENS
0	1366	
5	1254	60
15	691	98
25	341	79
35	135	42
45	36	14
55	14	6
65	8	4
75	3	2
85	1	1
95	1	0

Intensity Distribution

DISTANCE (FT.)	FOOTCANDLES (FC)	BEAM DIAMETER (FT.)
4'	85.4	2.5
6'	38.0	3.7
8'	21.4	4.9
10'	13.7	6.1
12'	9.5	7.4
14'	7.0	8.6

Beam Distribution: 35°

1. Dependent on surrounding temperatures
 2. Accuracy of rendering colors
 3. Color appearance of light source
 4. Colors present within the light source

Dimmer Compatibility

Manufacturer	Model No.	Voltage (V)	Wattage (W)	Min. Number of LED Lamp(s) Compatible*	Max. Number of LED Lamp(s) Compatible*
Leviton	6633-P	120	600	1	6
Lutron	DV-600P	120	600	1	6
Leviton	6681	120	600	1	6
Lutron	MIR-600	120	600	1	6
Lutron	TG-600P	120	600	1	6
Leviton	IPIO6	120	600	1	6
Lutron	TG-603P	120	500	1	6
Lutron	MA-600	120	600	1	6
Lutron	AY-103P	120	1000	1	6
Neptun	Apollo 80005	120	600	1	6
Leviton	6631-LW	120	600	1	6
Leviton	6161-I	120	600	1	6
Leviton	IPM06-1LZ	120	600	1	6
Electric	EL-34934	120	600	1	6
Lutron	Ctcl-153P	120	150	1	6
Leviton	OG3703	120	600	1	6
Leviton	6602-W	120	600	1	6
Leviton	6683-IW	120	600	1	6

*The minimum and maximum number of LED lamps compatible depends upon the performance of the dimmer, which is subject to the status of the manufacturer's technology. Due to possible variations in country dimmer module specifications, please contact your local distributor for a list of compatible dimmers before installation.