

**Specifications/Features**

**Lamp**

Energy efficient, 6W PAR16 LED lamp  
 Designed to last 25,000 hours  
 Color management system maintains color consistency over time and temperature  
 Correlated Color Temperature of 2700K, Color Rendering Index of 82  
 Correlated Color Temperature of 3000K, Color Rendering Index of 82, Ultra Rich Color with CRI of 97 available  
 Correlated Color Temperature of 3500K, Color Rendering Index of 82  
 Correlated Color Temperature of 4000K, Color Rendering Index of 85  
 Lumen output = 550 (92 Lm/W) Standard CRI, 400 (67 Lm/W) Ultra Rich Color  
**24° Beam Spread:**  
 2,100 CBCP Standard CRI; 1,700 CBCP Ultra Rich Color  
**35° Beam spread:**  
 1,240 CBCP Standard CRI; 900 CBCP Ultra Rich Color  
 Durable die-cast aluminum housing with lens to protect the LEDs and reflector.  
 Designed for use in most open, semi-enclosed and enclosed PAR16 light fixtures.  
 Consult factory for specific luminaire compatibility.  
 Verify fit in fixtures that utilize the face of the lamp for mechanical attachment to ensure compatibility.

**Dimming**

Dimmable to 10% with both forward/reverse phase dimming.  
 For optimal performance, use dimmer specifically designed for LED lamps.  
 Dimming performance may vary due to field conditions, including but not limited to, power quality, installation and wiring, and variations in dimmer production.  
 Please reference the dimmer manufacturer's instructions for dimmer installation and further information.

**Electrical**

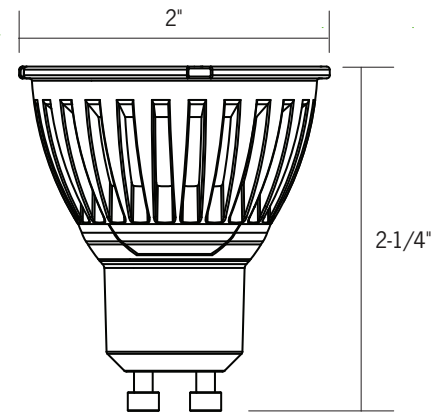
6W, 120V GU10 base

**Warranty**

Covered by a full three (3) year replacement guarantee after date of purchase.

**Listing**

UL & cULus listed. Suitable for damp locations.  
 RoHS compliant, contains no lead or mercury.



**Ordering Information**

Example Order:

Lamp	Beam	Base	Color Temp	Voltage
<input type="text" value="LR5906DHR"/>	<input type="text" value="75H24D"/>	<input type="text" value="GU10"/>	<input type="text" value="3000K"/>	<input type="text" value="120V"/>
LR5906DHR - Standard CRI LR5906DRUHR* - 97 CRI, Ultra Rich Color	75H24D - 24° 75H35D - 35°	GU10 - GU10 Base	2700K - 2700K 3000K - 3000K 3500K - 3500K 4000K - 4000K	120V

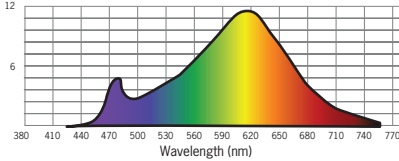
\*Ultra Rich Color lamps only available in 3000K

**Photometrics**

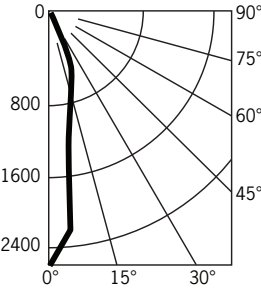
**LR5906DHR-75H24D-GU10-2700K-120V**

Designed for 25,000 Hour Lamp Life<sup>1</sup>

Light Output (Fixture Delivered Lumens): 604  
 Total Watts@120V: 6.2  
 Lumens Per Watt: 97.4  
 Color Rendering Index (CRI)<sup>2</sup>: 82  
 Color Temperature (CCT)<sup>3</sup>: 2700K  
 Spectral Power Distribution Chart<sup>4</sup>



**Candela Curve**



**Candlepower Summary**

FROM 0	CANDELA	LUMENS
0	2413	
5	2034	97
15	713	101
25	223	52
35	82	26
45	29	11
55	15	7
65	9	5
75	5	3
85	2	1
95	1	0

**Intensity Distribution**

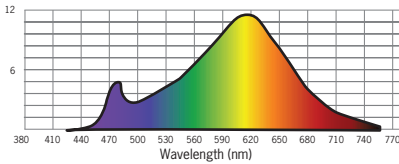
DISTANCE (FT.)	FOOTCANDLES (FC)	BEAM DIAMETER (FT.)
4'	150.9	1.7
6'	67.1	2.6
8'	37.7	3.5
10'	24.1	4.3
12'	16.8	5.2
14'	12.3	6.0

**Beam Distribution: 24°**

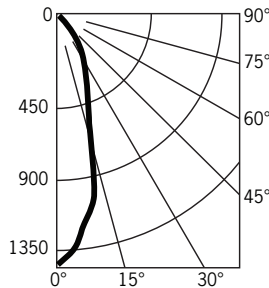
**LR5906DHR-75H35D-GU10-2700K-120V**

Designed for 25,000 Hour Lamp Life<sup>1</sup>

Light Output (Fixture Delivered Lumens): 614  
 Total Watts@120V: 6.2  
 Lumens Per Watt: 99.0  
 Color Rendering Index (CRI)<sup>2</sup>: 82  
 Color Temperature (CCT)<sup>3</sup>: 2700K  
 Spectral Power Distribution Chart<sup>4</sup>



**Candela Curve**



**Candlepower Summary**

FROM 0	CANDELA	LUMENS
0	1366	
5	1254	60
15	691	98
25	341	79
35	135	42
45	36	14
55	14	6
65	8	4
75	3	2
85	1	1
95	1	0

**Intensity Distribution**

DISTANCE (FT.)	FOOTCANDLES (FC)	BEAM DIAMETER (FT.)
4'	85.4	2.5
6'	38.0	3.7
8'	21.4	4.9
10'	13.7	6.1
12'	9.5	7.4
14'	7.0	8.6

**Beam Distribution: 35°**

1. Dependent on surrounding temperatures  
 2. Accuracy of rendering colors  
 3. Color appearance of light source  
 4. Colors present within the light source

**Dimmer Compatibility**

Manufacturer	Model No.	Voltage (V)	Wattage (W)	Min. Number of LED Lamp(s) Compatible*	Max. Number of LED Lamp(s) Compatible*
Leviton	6633-P	120	600	1	6
Lutron	DV-600P	120	600	1	6
Leviton	6681	120	600	1	6
Lutron	MIR-600	120	600	1	6
Lutron	TG-600P	120	600	1	6
Leviton	IPIO6	120	600	1	6
Lutron	TG-603P	120	500	1	6
Lutron	MA-600	120	600	1	6
Lutron	AY-103P	120	1000	1	6
Neptun	Apollo 80005	120	600	1	6
Leviton	6631-LW	120	600	1	6
Leviton	6161-I	120	600	1	6
Leviton	IPM06-1LZ	120	600	1	6
Electric	EL-34934	120	600	1	6
Lutron	Ctcl-153P	120	150	1	6
Leviton	OG3703	120	600	1	6
Leviton	6602-W	120	600	1	6
Leviton	6683-IW	120	600	1	6

\*The minimum and maximum number of LED lamps compatible depends upon the performance of the dimmer, which is subject to the status of the manufacturer's technology. Due to possible variations in country dimmer module specifications, please contact your local distributor for a list of compatible dimmers before installation.

**UL/Energy Star Part Number Cross Reference for Ultra Rich Color Lamp**

ConTech Part Number	UL/Energy Star Records Part Number
LR5906DRUHR-75H24D-GU10-3000K-120V	LR05906/dm/ru+HRv10-NF+GU10+930+V0120
LR5906DRUHR-75H35D-GU10-3000K-120V	LR05906/dm/ru+HRv10-FL+GU10+930+V0120