

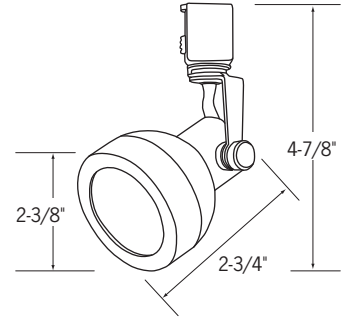
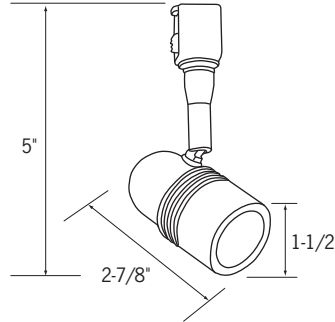
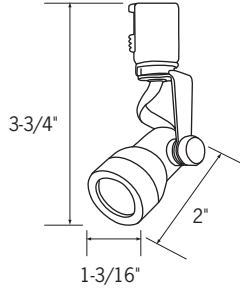
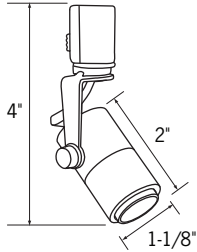
Symphony Low Voltage MiniTrack

Low Voltage Fixtures

Specifications/Features

The Symphony low voltage fixture collection is crafted from high quality materials. The small scale of the Symphony track system allows layouts to be hidden away or seen with stylish fixture designs that enhance the space. Fixtures use Halogen lamps, are rated for 12V or 24V operation, are cCSAus

certified for dry locations and carry ConTech's one year full replacement warranty (from date of purchase). See specific fixtures for lamp type, voltage restrictions and maximum wattage. Lamps sold separately. Fixtures are available in Black (B), White (P) and Silver (S).



LED Bullet

Adjustable lens: 17° - 45°. Review minimum wattage requirements of transformer being used.
 Lamp: 5W LED



MCT-3LEDC-(B, P, S) - Cool White (6650K)
MCT-3LEDW-(B, P, S) - Warm White (3000K)

MR8 Enclosed Bullet, Single Yoke Assembly

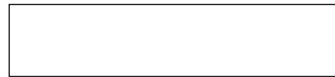
Lamp: 35W max., MR8 FG, GU4 base



MCT-2108-(B, P, S)

MR11 Enclosed Bullet, Center Stem

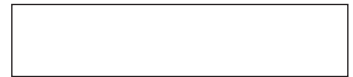
Lamp: 35W max., MR11, GU4 base
 Lens Size: 1-11/32"



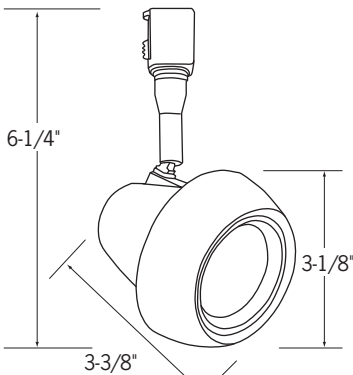
MCT-2111-(B, P, S)

MR16 Enclosed Bullet, Single Yoke Assembly*

Lamp: 50W max., MR16, GU5.3 base
 Lens Size: 2"



MCT-2116-(B, P, S)

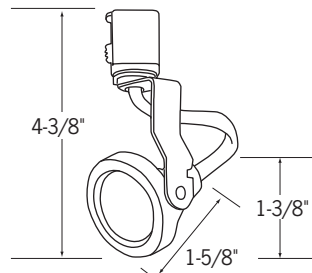


Drama

Lamp: 50W max., MR16, GU5.3 base
 Lens Size: 2"



MCT-5116-(B, P, S)*

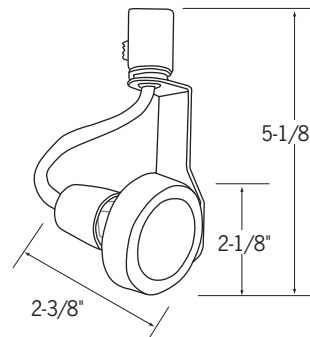


MR11 Gimbal Single Offset Side Yoke

Lamp: 35W max., MR11, GU4 base
 Lens Size: 1-11/32"



MCT-8111-(B, P, S)

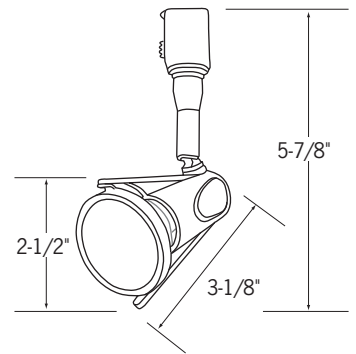


MR16 Gimbal Single Offset Side Yoke

Lamp: 50W max., MR16, GU5.3 base
 Lens Size: 2"



MCT-8116-(B, P, S)*



Crescendo

Lamp: 50W max., MR16, GU5.3 base
 Lens Size: 2"

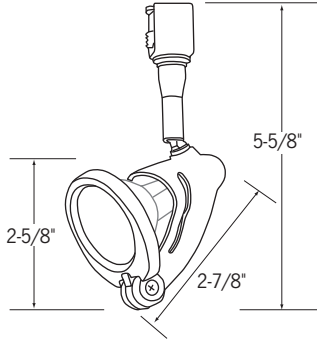


MCT-8316-(B, P, S)*

*On fixtures designed for use with MR16 lamps, ConTech Lighting provides a clear, tempered safety glass. This safety glass should only be used with open MR16 lamps, and not used with MR16 lamps that contain an integral glass lens. This safety glass should be removed if use of MR16 with front glass is required.

Symphony Low Voltage MiniTrack

Low Voltage Fixtures

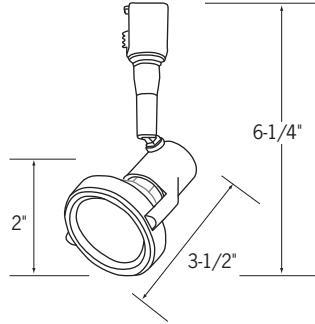


Allegro*

Lamp: 50W max., MR16, GU5.3 base
Lens Size: 2"



MCT-8416-(B, P, S)

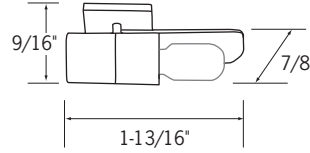


Cadence*

Lamp: 50W max., MR16, GU5.3 base
Lens Size: 1-7/8"



MCT-9816-(B, P, S)

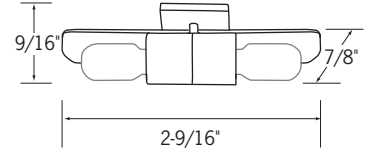


**Single Wedge Base Lampholder,
Polished Aluminum Reflector**

Lamp: 10W max., Xenon T3-1/4,
wedge base



MCT-101-(B, P, S)

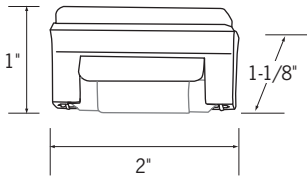


**Double Wedge Base Lampholder,
Polished Aluminum Reflector**

Lamp: (2) 10W max., Xenon T3-1/4,
wedge base



MCT-102-(B, P, S)

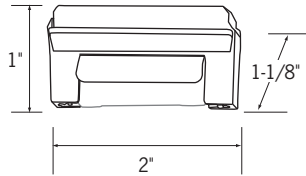


**Festoon Fixture with
Adjustable Reflector**

Symmetrical light distribution.
Lamp: 10W max., T3-1/4 Festoon,
S8-5/8 base or 0.48W LED
Festoon, S8-5/8 base



MCT-201-(B, P, S)

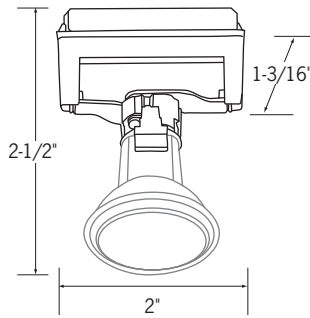


**Rigid Loop Fixture with
Adjustable Reflector**

Symmetrical light distribution.
Lamp: 10W max., T3-1/4,
Rigid loop base

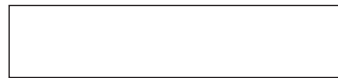


MCT-301-(B, P, S)

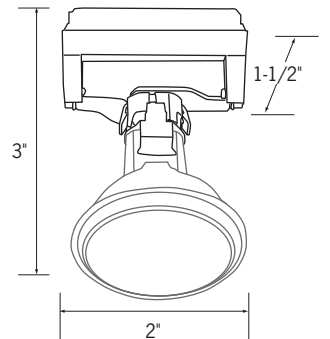


Adjustable MR8/MR11 Fixture

Adjustable 180°.
Lamp: 35W Max. MR8 FG or
MR11 FG, GU4 base

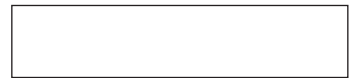


MCT-401-(B, P, S)



Adjustable MR16 Fixture*

Adjustable 180°.
Lamp: 35W max., MR16 FG,
GU5.3 base



MCT-501-(B, P, S)

*On fixtures designed for use with MR16 lamps, ConTech Lighting provides a clear, tempered safety glass. This safety glass should only be used with open MR16 lamps, and not used with MR16 lamps that contain an integral glass lens. This safety glass should be removed if use of MR16 with front glass is required.