

MRL-3LED

LED Symphony Mini-Track Pendant

Specifications/Features

Fixture

9W LED pendant provides an eco-friendly solution for decorative lighting. Semi-rigid cable is available in three lengths. Compatible with gravity-fit decorative shades, sold separately. See attached matrix for shade options and compatibility.

Electrical

Due to minimum wattage requirements of electronic transformers, for short runs of the Symphony Low Voltage Track System using the MRL-3LED pendant, ConTech recommends using a magnetic transformer (no minimum load) or a 12V constant voltage remote LED driver.

For long runs that would exceed the minimum wattage requirements, electronic transformers are suitable for use within 10-12 feet of the entire run.

For mono-point applications (with the MLA-18 or MLA-19), use LED driver LED10CV12 as a remote power source.

Installation must be done according to National Electrical and Local Building Codes.

Lamp

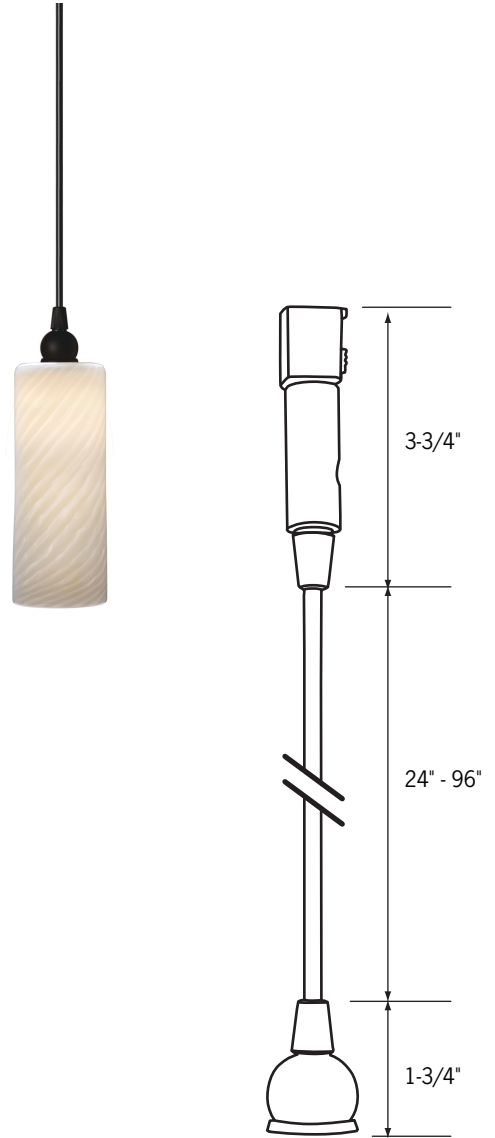
(1) LED, 12V Constant voltage input.
Total input watts: 8.25W
Cool White: 6000K Color Temperature.
Warm White: 3000K Color Temperature.

Warranty

This complete fixture is covered by ConTech's full five (5) year replacement guarantee after date of purchase.

Labels/Usage

cCSAus Certified.



Ordering Information

Example Order: -

Fixture	Length	Lamp	Finish
<input type="text" value="MRL-3LED"/>	<input type="text" value="2 - 2 Ft. Length
4 - 4 Ft. Length
8 - 8 Ft. Length"/>	<input type="text" value="C - Cool White, 6000K
W - Warm White, 3000K"/>	<input type="text" value="B - Black
P - White
S - Silver"/>