

# NCTL84X

## Xicato Gallery Series LED Cylinder Track Fixture

### Specifications/Features

#### Fixture

High performance, small scale LED track fixture featuring the Xicato XTM LED module. Available in two (2) lumen packages:

- 16W / 1300lm (19W High CRI)
- 23W / 1600lm

In addition to the standard accent track fixture, the gallery series is available in a wall wash configuration; providing smooth even illumination on vertical surfaces. Constructed of die-cast aluminum, the cylindrical body provides thermal management while providing a sleek modern look, designed to quietly complement any space.

Dimming is standard for all wattage options (120V only) and allows smooth illumination down to 10%. Compatible with most Incandescent (forward phase) and ELV (reverse phase) dimmers. For dimmer compatibility, refer to [Dimming Specifications sheet](#).

Lockable, precision aiming adjustment. 360°+ aiming horizontal rotation, 90° vertical rotation.

Integral ON/OFF switch and track polarity indicator are standard.

Can accept up to (2) LF16 60MM lenses or FA-16 60MM black honeycomb louvers when used with the FA-84 accessory holder, FA-85 snoot or BD84 barn doors.

Fixture weight: 2LBS.

#### Lamp

Featuring a Xicato LED module, the standard series is available in the following color temperatures: 2700K, 3000K, 3500K and 4000K.

In addition to the Xicato standard series, the following options are also available:

Artist Series: Delivering exceptional color rendering for natural color, the artist series provides CRI 98 and R9≥90

Vibrant Series: For striking color, the vibrant series is available in both standard CRI 83 and high CRI 98. 3000K Only.

All Xicato modules feature extraordinary color consistency (within 1x2-step MacAdam ellipse).

Available in Spot (19°), Medium (23°), Flood (41°) and Wide Flood (56°) beam distributions. All beams are achieved using specular spun metal reflectors that feature a twist-and-lock attachment method allowing them to easily be changed in the field.

System designed and rated for 50,000 hours at 70% lumen maintenance.

#### Electrical

X2 Series (Std CRI): Input Wattage 16W; Output Current 500mA  
 Input Voltage: 120 VAC

X2 Series (High CRI): Input Wattage 19W; Output Current 700mA  
 Input Voltage: 120 VAC

277VAC Non-Dimming

X3 Series (Std CRI): Input Wattage 23W; Output Current 700mA  
 Input Voltage: 120 VAC

277VAC Non-Dimming

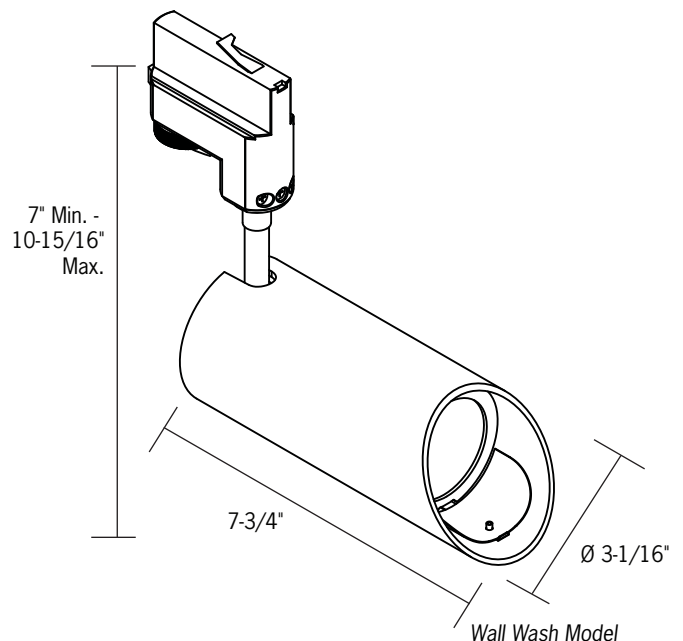
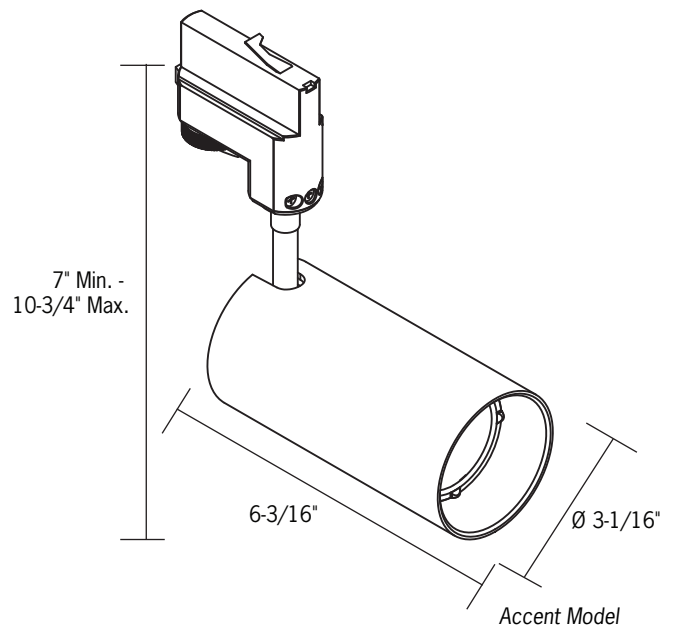
#### Warranty

This complete fixture is covered by ConTech's full five (5) year replacement guarantee after date of purchase.

#### Listing

cCSAus Certified to UL Standards. Suitable for dry locations.

Energy Star Approved for all variations except Wall Wash and High CRI (98+) options.



# NCTL84X

## Xicato Gallery Series LED Cylinder Track Fixture

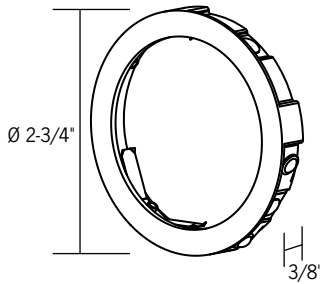
### Ordering Information

Example Order:  -

Fixture	Beam	Color Temp	Dimming Option	Finish	Nordic Adapter
<input type="text"/>	<input type="text"/>	<input type="text"/>	<input type="text"/>	<input type="text"/>	<input type="text"/>
<b>NCTL84X2</b> <sup>1</sup> - 16W Gallery Series with Xicato LED <b>NCTL84X3</b> <sup>2</sup> - 20W Gallery Series with Xicato LED	<b>S</b> - Spot <b>M</b> - Medium <b>F</b> - Flood <b>W</b> - Wide Flood <b>WW</b> <sup>3</sup> - Wall Wash	<b>27</b> <sup>4</sup> - 2700K, 83 CRI <b>3</b> <sup>4</sup> - 3000K, 83 CRI <b>35</b> <sup>4</sup> - 3500K, 83 CRI <b>4</b> <sup>4</sup> - 4000K, 83 CRI <b>3V</b> <sup>4</sup> - 3000K Vibrant, 83 CRI <b>27C</b> <sup>2</sup> - 2700K, 98 CRI <b>3C</b> <sup>2</sup> - 3000K, 98 CRI <b>35C</b> <sup>2</sup> - 3500K, 98 CRI <b>4C</b> <sup>2</sup> - 4000K, 98 CRI <b>3VC</b> <sup>2</sup> - 3000K Vibrant, 98 CRI	<b>D</b> - Dimming	<b>B</b> - Black <b>P</b> - White <b>S</b> - Silver	<b>Blank</b> - 2C/2N 120V <b>27</b> - 2C/2N 277V <sup>4</sup> <b>1C</b> - 1C/1N or 2C/1N <b>3C</b> - 3C/1N

1. X2 High CRI consumes 19W  
 2. 98CRI is not available on the X3 Series  
 3. Includes angled housing and wall wash kicker accessory  
 4. 16W Standard CRI not available in 277V

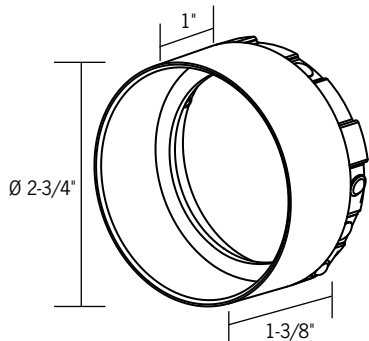
### Accessories



**Accessory Holder**  
 Will accept up to two (2) LF16\_60MM lenses or FA-16 60MM louvers. Finish: B



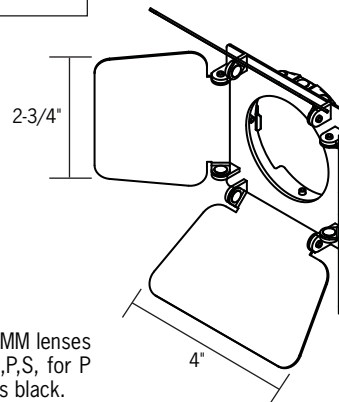
**FA-84**



**Snoot**  
 Will accept up to two (2) LF16\_60MM lenses or FA-16 60MM louvers. Finish: B,P,S, for P and S finishes, the inside surface is black.



**FA-85**



**Barn Doors**  
 Barn doors extend 2-3/4" max. from face of fixture. 3-1/2" Min. - 7-3/4" max. Will accept up to two (2) LF16\_60MM lenses or FA-16 60MM louvers. Finish: B



**BD84**



### Lenses, Louvers, and Optics



**XSA-156** - Spot Optic  
**XSA-262** - Medium Optic  
**XSA-264** - Flood Optic  
**XSA-259** - Wide Flood Optic  
**FA-16 60MM** - 2-3/8" Dia. Black Honeycomb Louver  
**LF16-(A, B, CL, G, LB, R, RO, Y, 73, LS, SL, SOL) 60MM\***  
 2-3/8" Dia. Tempered Glass Lenses; Requires FA-84-B Accessory Holder, FA-85 Snoot, or BD84 Barn Doors

\*Color/Pattern Legend

-A (Amber), -B (Blue), -CL (Clear), -G (Green), -LB (Light Blue), -R (Red), -RO (Rose), -Y (Yellow), -73 (Spread Lens), -LS (Linear Spread Lens), -SL (Soft Light), -SOL (Solite), -UV (Optivex UV Filter)

# NCTL84X

## Xicato Gallery Series LED Cylinder Track Fixture

### Photometrics

Lumen output values fluctuate based on CCT and CRI. To estimate lumen output of the various CCT/CRI options, multiply 3000K (80 CRI min) results by the following:

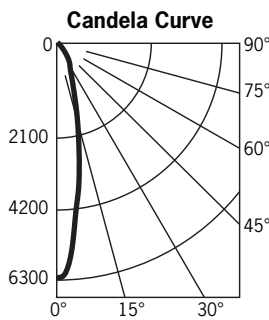
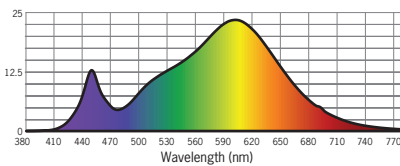
CCT	Standard 80 CRI	Vibrant 80 CRI	Artist 98 CRI	Vibrant High 98 CRI
2700K	1.0	N/A	0.872	N/A
3000K	N/A	1.0	0.872	0.872
3500K	1.0	N/A	0.872	N/A
4000K	1.0	N/A	0.872	N/A

To calculate X3/23W values, multiply results by 1.31

### 16W Spot Beam, 3000K: CTL84X2S3D

Designed for 50,000 Hour Lamp Life<sup>1</sup>; LM-63 Test No. 86945

Light Output (Fixture Delivered Lumens): 1343  
 Total Watts@120V: 16.4; Lumens Per Watt: 81.9  
 Center Beam Candle Power: 6188  
 Color Rendering Index (CRI)<sup>2</sup>: 82  
 Color Temperature (CCT)<sup>3</sup>: 2931K  
 Spectral Power Distribution Chart<sup>4</sup>



#### Candlepower Summary

FROM 0	CANDELA	LUMENS
0	6188	
5	4686	396
15	1653	467
25	658	311
35	250	157
45	4	9
55	2	2
65	1	1
75	0	0
85	0	0
95	0	

#### Intensity Distribution

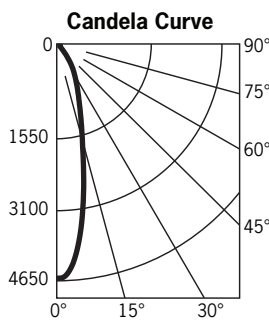
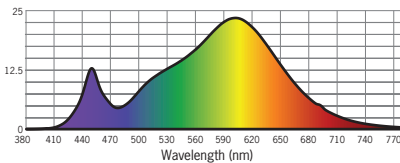
DISTANCE (FT.)	FOOTCANDLES (FC)	BEAM DIAMETER (FT.)
4'	386.8	1.3
6'	171.9	2.0
8'	96.7	2.6
10'	61.9	3.3
12'	43.0	3.9
14'	31.6	4.6

Beam Distribution: 19°, Spacing Criterion: 0.33

### 16W Medium Beam, 3000K: CTL84X2M3D

Designed for 50,000 Hour Lamp Life<sup>1</sup>; LM-63 Test No. 86946

Light Output (Fixture Delivered Lumens): 1294  
 Total Watts@120V: 16.4; Lumens Per Watt: 78.9  
 Center Beam Candle Power: 4538  
 Color Rendering Index (CRI)<sup>2</sup>: 82  
 Color Temperature (CCT)<sup>3</sup>: 2931K  
 Spectral Power Distribution Chart<sup>4</sup>



#### Candlepower Summary

FROM 0	CANDELA	LUMENS
0	4538	
5	3963	335
15	1628	460
25	737	342
35	236	149
45	4	6
55	1	1
65	1	1
75	0	0
85	0	0
95	0	

#### Intensity Distribution

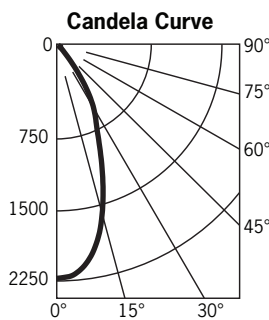
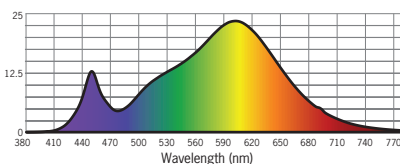
DISTANCE (FT.)	FOOTCANDLES (FC)	BEAM DIAMETER (FT.)
4'	283.6	1.6
6'	126.1	2.3
8'	70.9	3.1
10'	45.4	3.9
12'	31.5	4.7
14'	23.2	5.4

Beam Distribution: 23°, Spacing Criterion: 0.39

### 16W Flood Beam, 3000K: CTL84X2F3D

Designed for 50,000 Hour Lamp Life<sup>1</sup>; LM-63 Test No. 86947

Light Output (Fixture Delivered Lumens): 1226  
 Total Watts@120V: 16.4; Lumens Per Watt: 74.8  
 Center Beam Candle Power: 2196  
 Color Rendering Index (CRI)<sup>2</sup>: 82  
 Color Temperature (CCT)<sup>3</sup>: 2931K  
 Spectral Power Distribution Chart<sup>4</sup>



#### Candlepower Summary

FROM 0	CANDELA	LUMENS
0	2196	
5	2136	197
15	1563	429
25	818	382
35	299	189
45	21	20
55	7	6
65	2	2
75	1	1
85	0	0
95	0	

#### Intensity Distribution

DISTANCE (FT.)	FOOTCANDLES (FC)	BEAM DIAMETER (FT.)
4'	137.3	2.6
6'	61.0	4.0
8'	34.3	5.3
10'	22.0	6.6
12'	15.3	7.9
14'	11.2	9.3

Beam Distribution: 41°, Spacing Criterion: 0.66

1. Dependent on surrounding temperatures, 2. Accuracy of rendering colors, 3. Color appearance of light source, 4. Colors present within the light source

# NCTL84X

## Xicato Gallery Series LED Cylinder Track Fixture

### Photometrics

Lumen output values fluctuate based on CCT and CRI. To estimate lumen output of the various CCT/CRI options, multiply 3000K (80 CRI min) results by the following:

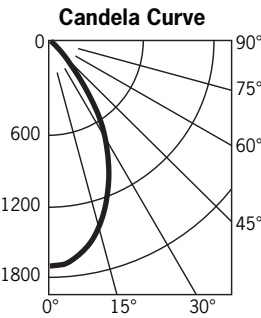
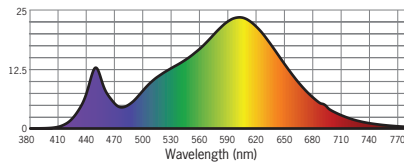
CCT	Standard 80 CRI	Vibrant 80 CRI	Artist 98 CRI	Vibrant High 98 CRI
2700K	1.0	N/A	0.872	N/A
3000K	N/A	1.0	0.872	0.872
3500K	1.0	N/A	0.872	N/A
4000K	1.0	N/A	0.872	N/A

To calculate X3/23W values, multiply results by 1.31

### 16W Wide Flood Beam, 3000K: CTL84X2W3D

Designed for 50,000 Hour Lamp Life<sup>1</sup>; LM-63 Test No. 86948

Light Output (Fixture Delivered Lumens): 1325  
 Total Watts@120V: 16.4; Lumens Per Watt: 80.8  
 Center Beam Candle Power: 1690  
 Color Rendering Index (CRI)<sup>2</sup>: 82  
 Color Temperature (CCT)<sup>3</sup>: 2931K  
 Spectral Power Distribution Chart<sup>4</sup>



### Candlepower Summary

FROM 0	CANDELA	LUMENS
0	1690	
5	1655	155
15	1402	390
25	988	450
35	456	283
45	38	46
55	1	1
65	0	0
75	0	0
85	0	0
95	0	

### Intensity Distribution

DISTANCE (FT.)	FOOTCANDLES (FC)	BEAM DIAMETER (FT.)
4'	105.6	3.4
6'	46.9	5.1
8'	26.4	6.8
10'	16.9	8.5
12'	11.7	10.2
14'	8.6	11.8

Beam Distribution: 56°, Spacing Criterion: 0.85

1. Dependent on surrounding temperatures, 2. Accuracy of rendering colors, 3. Color appearance of light source, 4. Colors present within the light source