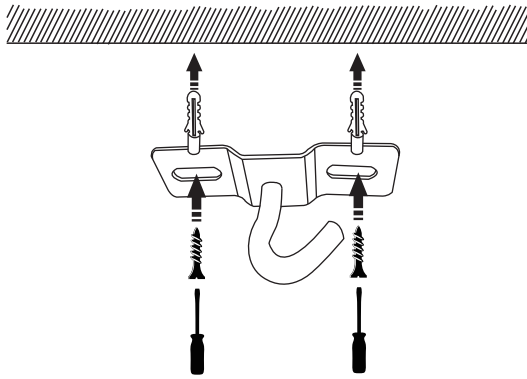


**ENSURE THAT POWER IS TURNED OFF BEFORE INSTALLATION.**

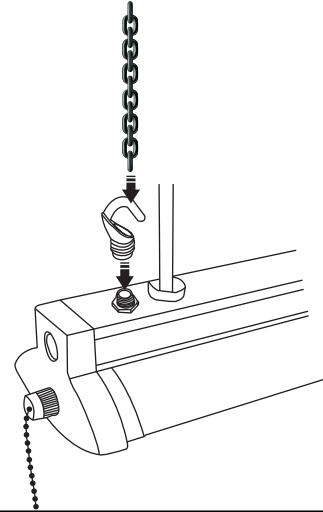
1

Screw the bracket to the ceiling.



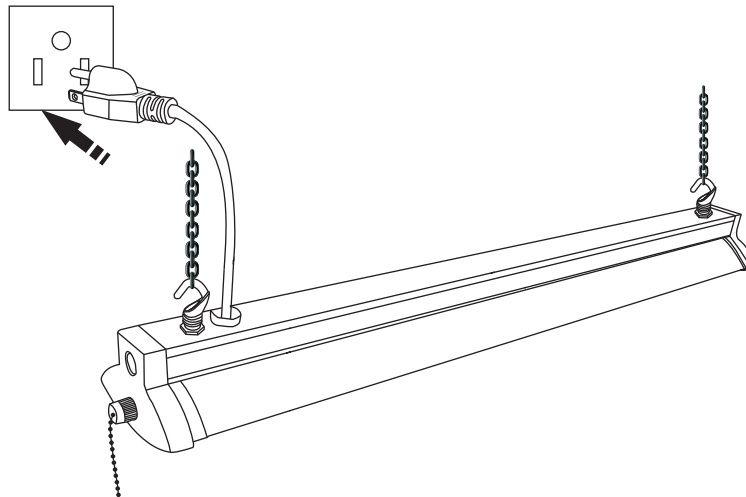
2

Fix the loose hook to the fixture and connect the chains.



3

Connect the cord set to an approved, installed 120V outlet.



**IMPORTANT SAFETY INSTRUCTIONS:**

- Read all the instructions before installation. Save instructions for later use.
- Turn off the power at fuse or circuit breaker box before installation or maintenance work.
- Wear rubber soled shoes and work on a sturdy wooden or non-conductive ladder.
- Product must be mounted in locations and at heights in compliance with National Electrical Code and local building codes. For indoor use only.
- Do not exceed the nominal supply voltage or amperage ratings.
- Installing contrary to instructions may cause unsafe conditions.
- **Warning:** Risk of fire. Most dwellings built before 1985 have supply wire rated at 60°C. Consult a qualified electrician before installation.
- Avoid hazards to children: account for all parts and properly dispose of all packing materials.
- Call the Technical Support department at ConTech Lighting with any installation questions.