

INSTALLATION PROCEDURES

- Please read all instructions prior to installation.
 - Product should be installed by a qualified electrician.
 - In hardwire applications, ensure power is off at fuse box to prevent electrical shock.
1. Prior to installation, review all materials and determine layout/positioning of each up-light kit
 2. Install mounting clips using 1/4" hex head screw from top of Precedent Fixture. Three (3) clips are recommended to mount each kit (Figure 1).
 3. Snap channel(s) into clips along run. **Note:** Each channel is 44" long. For a 4' Precedent, center the channel with 2" space between ends of fixture. For an 8" Precedent, position each adjacent kit approx 4" apart. (Figure 2)
 4. Reference Table 1 for appropriate driver selection and max kits in each run.
 5. For runs of consecutive kits, use the included jumpers to connect adjacent kits (2" and 6" jumper included in each kit to allow for varied gaps between units)
 6. Connecting Input Power:
 - a. If using a ConTech "plug-and-play" driver, position driver as desired (recommended above ceiling by fixture canopy. Use extension cords to drop down to Uplight Kits). Connect input power to beginning of run.
 - b. If using a ConTech hard-wire driver, position driver as desired and run appropriate gauge wire down to fixture. Mount an optional PLUJBOX (sold separately) on top of Precedent Fixture. Use this enclosure and approved connectors to wire to input of first Up-light Kit.
 7. Use provided end cap to terminate the end of any run by trimming lens back and snapping cap into place.

IMPORTANT SAFETY INSTRUCTIONS:

- Read all the instructions before installation. Save instructions for later use.
- Turn off power at fuse or circuit breaker box before installation or before doing any maintenance work.
- Product must be grounded to avoid potential electric shock and any other potential hazards.
- Product must be mounted in locations and at heights and in a manner consistent with its intended use, and in compliance with National Electrical Code and local codes. Use of accessory equipment is not recommended.
- Installing contrary to instructions may cause unsafe conditions.
- Do not block light from the trim aperture, in whole or in part, as this may cause unsafe conditions.
- Warning: Risk of fire. Most dwellings built before 1985 have supply wire rated at 60°C. Consult a qualified electrician before installation.
- To avoid hazards to children, account for all parts and properly dispose of all packing materials.
- Call the Technical Support department at ConTech Lighting with any installation questions: 847.559.5500.

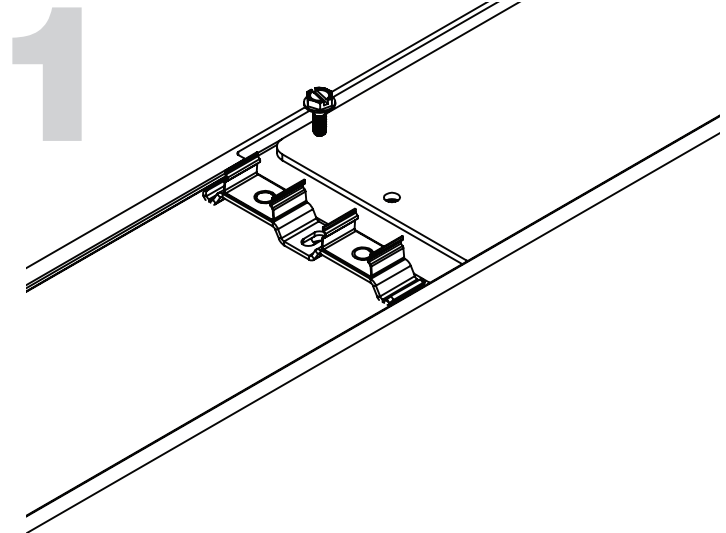


TABLE 1: Maximum Kits per Driver

ConTech POWER SUPPLY INPUT VOLTAGE: 24V DC	24V STD. OUTPUT 2.1W/FT		24V HIGH OUTPUT 3.8W/FT	
	WATTAGE	MAX RUN	MAX SPLIT	MAX RUN
20W	2 Kits	2 Kits	1 Kit	1 Kit
26W	3 Kits	4 Kits	2 Kits	2 Kits
60W	4 Kits	6 Kits	3 Kits	4 Kits
90W	7 Kits	10 Kits	4 Kits	5 Kits
96W	8 Kits	11 Kits	5 Kits	6 Kits

*Max split can be split more than once, without exceeding the max single run in each leg.

- Max Run refers to the total single run of kits that can go on a power supply. Max Split refers to the total amount of kits that can go on a driver if it were separated into two runs.
- Max Run lengths are calculated with 24V DC at the start of the kit run. Voltage drop may occur if not using proper wire gauge. Please refer to the Power Supply Wiring Chart on page one of these instructions.
- Max Run lengths above are calculated with no more than 30% light loss from the start of the kit run to the end of the kit run for optimal light consistency. If run lengths are extended beyond the recommended lengths noted above, there will be inconsistent light output and voltage drop.