

R6WIC

Stealth Series 6" LED Recessed Pull Down Wall Lighter Insulated Ceiling, StopAire® Housing

Specifications/Features

Housing/Mounting

High performance LED fixture delivering up to 3100 lumens in a smooth wide beam providing excellent uniformity; well suited for any wall lighting application. Specification grade 6" Insulated Ceiling, StopAire® housing; 16 gauge galvanized steel. Die-cast aluminum pull-down head and trim frame. For use in applications with direct contact with insulation materials. Dual nailer hanger bars are adjustable for 16" and 24" center joists (14-1/4" to 24-1/2"). Nailer bars enable easy installation; may be extended to rest on T-bar ceilings. Unique heat pipe/radiator-finned heat sink provides exceptional heat dissipation ensuring long life and consistent performance. Constant tension pull-down head with vertical adjustment from 0° - 60° for aiming ease. Locking mechanism features graduations for consistent fixture-to-fixture aiming. Quick-connect LED light engine enables easy installation and removal. LED Drivers are fully accessible from below the ceiling, and can be easily removed

Electrical

UL8750 and Class 2 Compliant, RoHS Compliant. Output over-voltage, over-current and short circuit protection. Approved for through-circuit wiring. Max: (8) 12AWG (4in/4out). Wiring should be rated for at least 90°C. Pre-wired junction box with (8) 1/2" and (4) 3/4" knockouts.

Lamp

Light engine consists of a single, high output multi-chip LED array enabling precise optical control. Excellent fixture-to-fixture color consistency with a 3-step MacAdam Ellipse tolerance. System designed and rated for 50,000 hours at 70% lumen maintenance.

Dimming

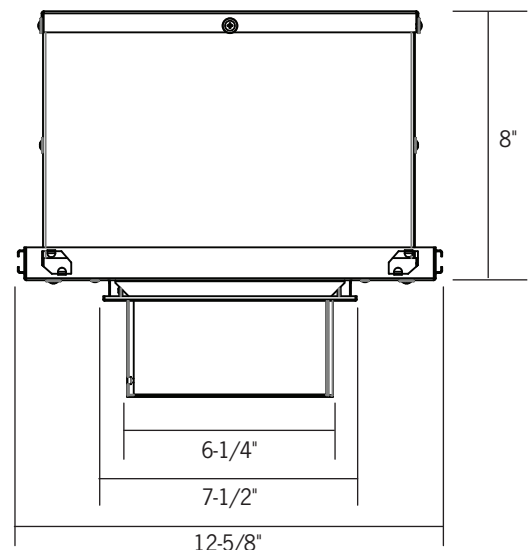
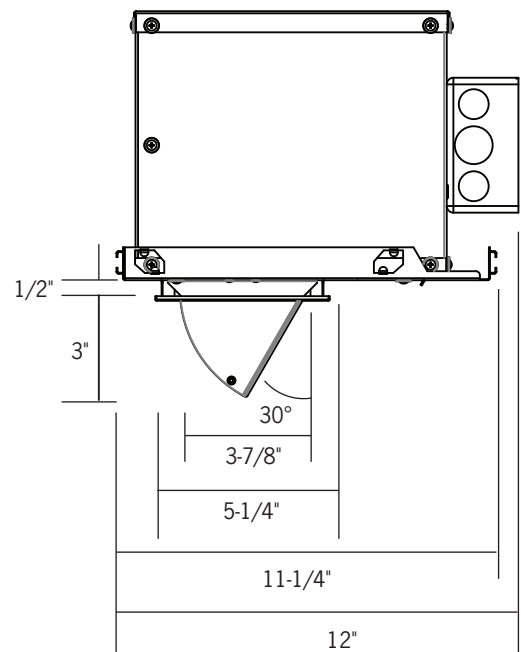
All R6W downlights are available for non-dimming and dimming applications. For a list of compatible dimmers, refer to [LED Dimming Catalog](#).

Warranty

This complete fixture is covered by ConTech's full five (5) year replacement guarantee after date of purchase.

Labels/Usage

cCSAus Certified to UL Standards. Suitable for damp locations. Conforms to Washington State Energy Code (WSEC) for low air infiltration. Tested in accordance with ASTM E283 (2.0 CFM or less). Energy Star certified. eldoLED dimming options are not Energy Star certified. Assembled in the USA.



Ceiling Opening: 4-7/8" x 7-1/4"
Ceiling Thickness: 1/2" - 1-1/2"

	Series 1	Series 2
Input Wattage (W)	20	28
Input Current (A) 120/277	.16/.07	.23/.10
Input Voltage		
Dimming (Triac, ELV, 0-10V)	120V AC, 50/60Hz 277V AC, 50/60Hz (0-10V Dimming Only)	
Lutron HiLume® Dimming	120V AC, 50/60Hz	
Lutron Eco-System® Dimming	120V AC, 50/60Hz 277V AC, 50/60Hz	
eldoLED ECOdrive / SOLOdrive	120V AC, 50/60Hz 277V AC, 50/60Hz	
Color Temp	2700K/3000K/3500K/4000K	
CRI Standard/High	83 (80min) / 90+	
Driver		
Power Factor	> 0.90	
THD	< 20%	
Dimming		
Triac, ELV, 0-10V	10-100%	
Lutron®	1-100%	
eldoLED ECOdrive	1-100%	
eldoLED SOLOdrive	0.1-100%	

R6WIC

Stealth Series 6" LED Recessed Pull Down Wall Lighter Insulated Ceiling, StopAire® Housing

Ordering Information

Example Order: —

Housing	LED Series	Color Temp/CRI	Electrical/Dimming	Finish
R6WIC	1 - 20W, 2200lm 2 - 28W, 3000lm	27K - 2700K, 83 CRI 30K - 3000K, 83 CRI 35K - 3500K, 83 CRI 40K - 4000K, 83 CRI 27KC - 2700K, 90+ CRI 30KC - 3000K, 90+ CRI 35KC - 3500K, 90+ CRI 40KC - 4000K, 90+ CRI	MVD1 - 120-277V TRIAC, ELV, 0-10V Dimming 12D3² - Lutron Hi-lume 1% 2-Wire LED Driver (120V Forward Phase Only) MVD4 - Lutron Hi-lume 1% EcoSystem LED Driver with Soft-on, Fade-to-Black MVD6 - 120-277V eldoLED ECOdrive, 0-10V, 1% Dimming MVD7 - 120-277V eldoLED ECOdrive, DALI, 1% Dimming MVD8 - 120-277V eldoLED SOLOdrive, 0-10V, 0.1% Dimming MVD9 - 120-277V eldoLED SOLOdrive, DALI, 0.1% Dimming	B - Matte Black P - Matte White

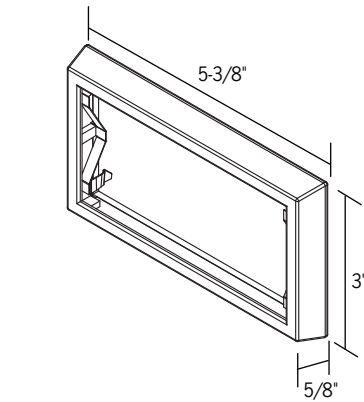
¹. TRIAC and ELV Dimming for 120V Only.
². D3 Lutron option only available in 120V.

Accessories (Standard Hanger Bars Supplied with Housing)



- HB-30** - T-Bar Hanger Set
 - FA-19-(B, P)** - Accessory Holder
 - FA-53-(B, P)** - Snoot*
 - FA-54** - Honeycomb Louver*
 - LF49-**** - Tempered Glass Lenses*
- *FA-19 is required

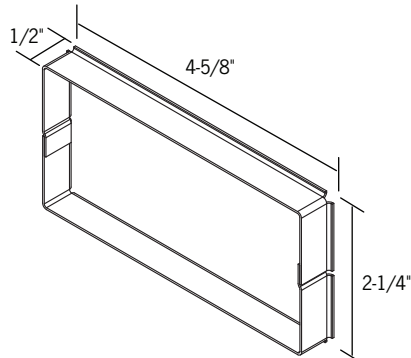
**Color/Pattern Legend -A (Amber), -B (Blue), -CL (Clear), -G (Green), -DPE (Dichroic Peach), -LB (Light Blue), -R (Red), -RO (Rose), -Y (Yellow), -73 (Spread Lens), -LSV (Linear Spread Lens, Vertical), -LSH (Linear Spread Lens, Horizontal), -SL (Soft Light), -SOL (Solite), -UV (Optivex UV Filter)



Accessory Holder
Will accept up to two (2) LF49 lenses or FA-54 louvers. Finish: B,P



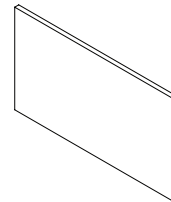
FA-19



Snoot
Requires FA-19 Accessory Holder. Finish: B,P, for P finish, the inside surface is black.



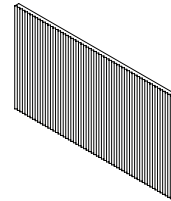
FA-53



Tempered Glass Lenses
4-3/4" L x 2-5/16"H x 1/8" D. Requires FA-19 Accessory Holder.



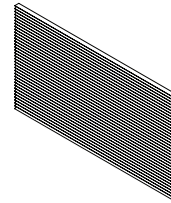
LF49 - (A, B, CL, DPE, G, LB, R, RO, Y, 73, SL, SOL, UV)



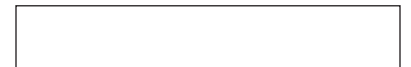
Linear Spread Lens, Horizontal
Glass lens with vertical ribs to elongate beams horizontally. 4-3/4" L x 2-5/16"H x 1/8" D. Requires FA-19 Accessory Holder.



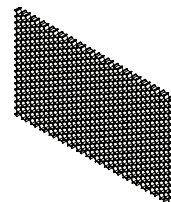
LF49-LSH



Linear Spread Lens, Vertical
Glass lens with horizontal ribs to elongate beams vertically. 4-3/4" L x 2-5/16"H x 1/8" D. Requires FA-19 Accessory Holder.



LF49-LSV



Honeycomb Louver
Glare control and shielding accessory. 4-3/4" L x 2-5/16"H x 1/8" D. Requires FA-19 Accessory Holder.



FA-54

R6WIC

Stealth Series 6" LED Recessed Pull Down Wall Lighter Insulated Ceiling, StopAire® Housing

Photometrics: R6WNC630K12D (57W)

Lumen output values fluctuate based on CCT and CRI. To estimate lumen output of the various CCT/CRI options, multiply 3000K (80 CRI min) results by the following:

Multiplication Factors

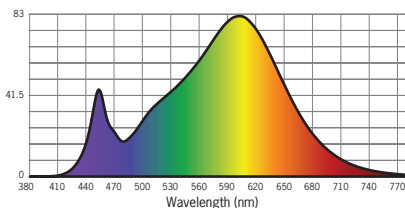
CCT	Standard CRI	High CRI
2700K	.95	.74
3000K	N/A	.85
3500K	1.03	.89
4000K	1.07	.92

Footcandles on Wall Based Upon R6WNC 5951 lumens: For 20W data multiply results by 0.37, for 28W data multiply results by 0.58.

Mounted 3 Feet From Wall, 10' Mounting Height, Tilted 40 Degrees from Nadir																
Distance From Ceiling	▼	Single Unit					4' On Center			Multiple Units*			8' On Center			
		0'	1'	2'	3'	4'	5'	4'	6'	6'	6'	6'	6'	8'	8'	8'
		1'	150	131	95	58	30	11	202	198	203	154	113	154	71	60
2'	159	140	104	67	36	15	230	222	231	169	134	168	50	44	50	
3'	150	134	104	73	46	24	240	229	240	169	147	168	37	33	37	
4'	100	92	75	56	39	24	183	178	182	127	115	127	28	26	28	
5'	62	59	51	40	30	20	129	128	129	90	83	90	22	21	22	
6'	38	37	33	28	22	16	92	92	92	64	61	64				
7'	24	24	22	19	16	12	68	68	68	47	46	47				
8'	16	16	15	14	12	10	51	52	51	35	36	35				
9'	12	11	11	10	9	8	39	40	40	28	28	28				
▼ is the beam center																
Mounted 4 Feet From Wall, 10' Mounting Height, Tilted 40 Degrees from Nadir																
Distance From Ceiling	▼	Single Unit					4' On Center			Multiple Units*			8' On Center			
		0'	1'	2'	3'	4'	5'	4'	6'	6'	6'	6'	6'	8'	8'	8'
		1'	81	74	61	44	28	16	136	134	136	94	89	94	78	70
2'	95	87	71	53	35	21	168	165	169	116	109	116	61	55	61	
3'	105	97	81	62	44	29	199	196	199	137	127	137	48	43	47	
4'	86	80	68	54	41	29	178	178	178	124	114	124	37	35	37	
5'	63	60	53	44	34	26	146	146	145	101	94	101	30	29	30	
6'	44	43	39	33	27	21	114	114	113	78	75	78				
7'	31	30	28	24	20	17	87	88	87	60	59	60				
8'	22	21	20	18	15	13	68	69	68	47	48	47				
9'	15	15	14	13	12	10	55	56	55	39	39	39				
▼ is the beam center																

*All multiple layouts are based on five fixtures aimed at 40 degrees from nadir.

Color Rendering Index (CRI)¹: 82
Color Temperature (CCT)²: 3131
Spectral Power Distribution Chart³



1. Accuracy of rendering colors
2. Color appearance of light source
3. Colors present within the light source

LM-79 Test: 85820

Fixture Wattage	Light Output (Fixture Delivered Lumens)
20W	2256Lm
28W	3038Lm