

# R6WRM

## Stealth Series 6" LED Recessed Pull Down Wall Lighter Remodel Housing

### Specifications/Features

#### Housing/Mounting

High performance LED fixture delivering over 4700 lumens in a smooth wide beam providing excellent uniformity; well suited for any wall lighting application. Specification grade 6" housing; 16 gauge galvanized steel mounting frame. Heavy duty steel remodel mounting frame is secured to ceiling by four (4) spring clamps.

Minimum plenum clearance required to install housing is 7-1/2".

Die-cast aluminum pull-down head and trim frame.

Requires minimum 3" clearance around fixture from insulation material.

Thermal protection provided in case of improper insulation use.

Unique heat pipe/radiator-finned heat sink provides exceptional heat dissipation ensuring long life and consistent performance.

Constant tension pull-down head with vertical adjustment from 0° - 60° for aiming ease.

Locking mechanism features graduations for consistent fixture-to-fixture aiming.

Quick-connect LED light engine enables easy installation and removal.

LED Drivers are fully accessible from below the ceiling and can be easily removed.

#### Electrical

UL8750 and Class 2 Compliant, RoHS Compliant.

Output over-voltage, over-current and short circuit protection.

Approved for through-circuit wiring. Max: (4) 12AWG (2in/2out).

Wiring should be rated for at least 75°C.

Pre-wired junction box with convenient screwdriver pry-outs. (3) 1/2" and (1) 1/2" x 3/4" concentric pry-out.

#### Lamp

Light engine consists of a single, high output multi-chip LED array enabling precise optical control. Excellent fixture-to-fixture color consistency with a 3-step MacAdam Ellipse tolerance.

System designed and rated for 50,000 hours at 70% lumen maintenance.

#### Dimming

All R6W downlights are available for non-dimming and dimming applications. For a list of compatible dimmers, refer to [LED Dimming Catalog](#).

#### Warranty

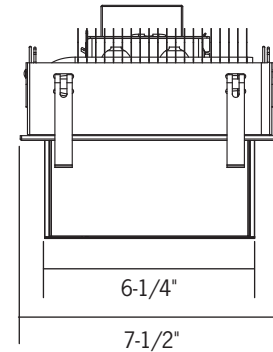
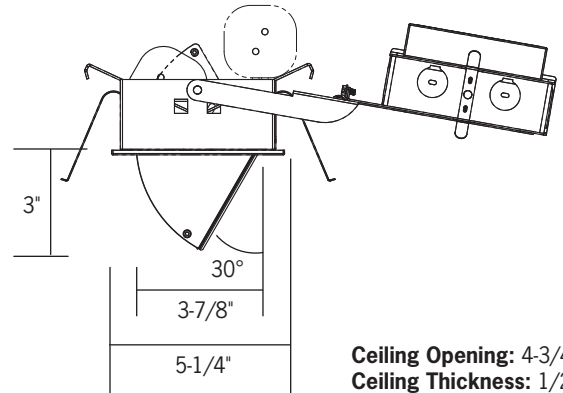
This complete fixture is covered by ConTech's full five (5) year replacement guarantee after date of purchase.

#### Labels/Usage

cCSAus Certified to UL Standards. Suitable for damp locations.

Energy Star certified. eldoLED dimming options are not Energy Star certified.

Assembled in the USA.



	Series 1	Series 2	Series 3	Series 4
<b>Input Wattage (W)</b>	20	28	35	41
<b>Input Current (A) 120/277</b>	.16/.07	.23/.10	.29/.13	.34/.15
<b>Input Voltage</b>				
Dimming (Triac, ELV, 0-10V)	120V AC, 50/60Hz 277V AC, 50/60Hz (0-10V Dimming Only)			
Lutron HiLume® Dimming	120V AC, 50/60Hz			
Lutron Eco-System® Dimming	120V AC, 50/60Hz 277V AC, 50/60Hz			
eldoLED ECOdrive / SOLOdrive	120V AC, 50/60Hz 277V AC, 50/60Hz			
<b>Color Temp</b>	2700K/3000K/3500K/4000K			
<b>CRI Standard/High</b>	83 (80min) / 90+			
<b>Driver</b>				
Power Factor	> 0.90			
THD	< 20%			
<b>Dimming</b>				
Triac, ELV, 0-10V	10-100%			
Lutron®	1-100%			
eldoLED ECOdrive	1-100%			N/A
eldoLED SOLOdrive	0.1-100%			

# R6WRM

## Stealth Series 6" LED Recessed Pull Down Wall Lighter Remodel Housing

### Ordering Information

Example Order:  —

Housing	LED Series	Color Temp/CRI	Electrical	Dimming	Finish
<b>R6WRM</b>	<b>1</b> - 20W, 2200lm <b>2</b> - 28W, 3000lm <b>3</b> - 35W, 4100lm <b>4</b> - 41W, 4700lm	<b>27K</b> - 2700K, 83 CRI <b>30K</b> - 3000K, 83 CRI <b>35K</b> - 3500K, 83 CRI <b>40K</b> - 4000K, 83 CRI <b>27KC</b> - 2700K, 90+ CRI <b>30KC</b> - 3000K, 90+ CRI <b>35KC</b> - 3500K, 90+ CRI <b>40KC</b> - 4000K, 90+ CRI	<b>12</b> - 120V <b>27</b> - 277V	<b>D<sup>1</sup></b> - TRIAC, ELV, 0-10V Dimming <b>D3<sup>2</sup></b> - Lutron Hi-lume 1% 2-Wire LED Driver (120V Forward Phase Only) <b>D4</b> - Lutron Hi-lume 1% EcoSystem LED Driver with Soft-on, Fade-to-Black <b>D6<sup>3,4</sup></b> - eldoLED ECOdrive, 0-10V, 1% Dimming <b>D7<sup>3,4</sup></b> - eldoLED ECOdrive, DALI, 1% Dimming <b>D8<sup>4</sup></b> - eldoLED SOLOdrive, 0-10V, 0.1% Dimming <b>D9<sup>4</sup></b> - eldoLED SOLOdrive, DALI, 0.1% Dimming <b>DMX<sup>4,5</sup></b> - eldoLED POWERdrive, DMX, 0.0% Dimming	<b>B</b> - Black <b>P</b> - White

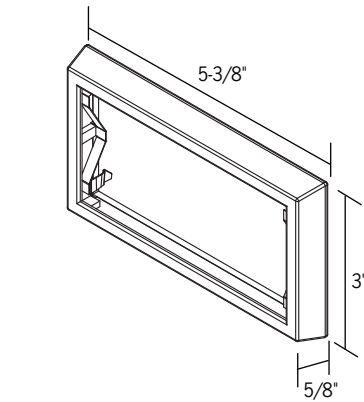
### Accessories



- FA-19-(B, P)** - Accessory Holder
  - FA-53-(B, P)** - Snoot\*
  - FA-54** - Honeycomb Louver\*
  - LF49-\*\*** - Tempered Glass Lenses\*
- \*FA-19 is required

1. TRIAC and ELV Dimming for 120V Only.
2. D3 Lutron option only available in 120V.
3. Not available for use with LED Series 4.
4. eldoLED Drivers are programmed for linear curve dimming as standard. For logarithmic curve dimming, please consult factory.
5. Verify DMX driver and control system compatibility with factory prior to ordering.

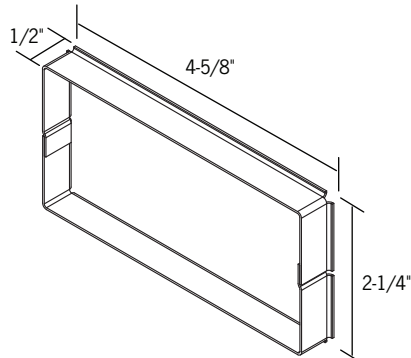
\*\*Color/Pattern Legend -A (Amber), -B (Blue), -CL (Clear), -G (Green), -DPE (Dichroic Peach), -LB (Light Blue), -R (Red), -RO (Rose), -Y (Yellow), -73 (Spread Lens), -LSV (Linear Spread Lens, Vertical), -LSH (Linear Spread Lens, Horizontal), -SL (Soft Light), -SOL (Solite), -UV (Optivex UV Filter)



**Accessory Holder**  
Will accept up to two (2) LF49 lenses or FA-54 louvers. Finish: B,P



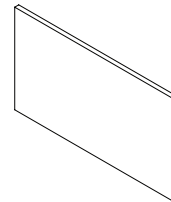
**FA-19**



**Snoot**  
Requires FA-19 Accessory Holder. Finish: B,P, for P finish, the inside surface is black.



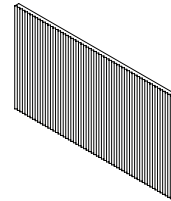
**FA-53**



**Tempered Glass Lenses**  
4-3/4" L x 2-5/16"H x 1/8" D. Requires FA-19 Accessory Holder.



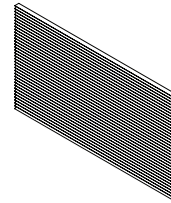
**LF49 - (A, B, CL, DPE, G, LB, R, RO, Y, 73, SL, SOL, UV)**



**Linear Spread Lens, Horizontal**  
Glass lens with vertical ribs to elongate beams horizontally. 4-3/4" L x 2-5/16"H x 1/8" D. Requires FA-19 Accessory Holder.



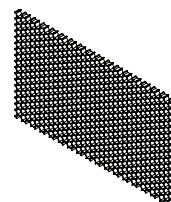
**LF49-LSH**



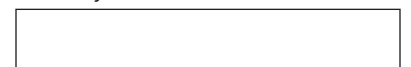
**Linear Spread Lens, Vertical**  
Glass lens with horizontal ribs to elongate beams vertically. 4-3/4" L x 2-5/16"H x 1/8" D. Requires FA-19 Accessory Holder.



**LF49-LSV**



**Honeycomb Louver**  
Glare control and shielding accessory. 4-3/4" L x 2-5/16"H x 1/8" D. Requires FA-19 Accessory Holder.



**FA-54**

# R6WRM

## Stealth Series 6" LED Recessed Pull Down Wall Lighter Remodel Housing

### Photometrics: R6WNC630K12D (57W)

Lumen output values fluctuate based on CCT and CRI. To estimate lumen output of the various CCT/CRI options, multiply 3000K (80 CRI min) results by the following:

CCT	Standard CRI	High CRI
2700K	.95	.74
3000K	N/A	.85
3500K	1.03	.89
4000K	1.07	.92

**Footcandles on Wall:** For 20W data multiply results by 0.37, for 28W data multiply results by 0.51, for 35W data multiply results by 0.69, for 41W data multiply results by 0.79

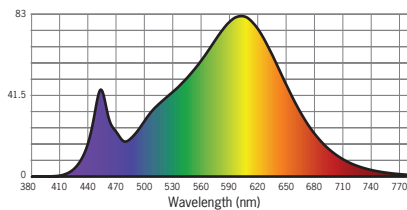
Mounted 3 Feet From Wall, 10' Mounting Height, Tilted 40 Degrees from Nadir																
Distance From Ceiling		Single Unit						Multiple Units*								
		0'	1'	2'	3'	4'	5'	4' On Center		6' On Center		8' On Center				
		▼						▼	▼	▼	▼	▼	▼			
1'		150	131	95	58	30	11	202	198	203	154	113	154	152	58	147
2'		159	140	104	67	36	15	230	222	231	169	134	168	162	74	158
3'		150	134	104	73	46	24	240	229	240	169	147	168	154	91	151
4'		100	92	75	56	39	24	183	178	182	127	115	127	106	79	105
5'		62	59	51	40	30	20	129	128	129	90	83	90	71	60	71
6'		38	37	33	28	22	16	92	92	92	64	61	64	50	44	50
7'		24	24	22	19	16	12	68	68	68	47	46	47	37	33	37
8'		16	16	15	14	12	10	51	52	51	35	36	35	28	26	28
9'		12	11	11	10	9	8	39	40	40	28	28	28	22	21	22
		▼ is the beam center														

Mounted 4 Feet From Wall, 10' Mounting Height, Tilted 40 Degrees from Nadir																
Distance From Ceiling		Single Unit						Multiple Units*								
		0'	1'	2'	3'	4'	5'	4' On Center		6' On Center		8' On Center				
		▼						▼	▼	▼	▼	▼	▼			
1'		81	74	61	44	28	16	136	134	136	94	89	94	84	56	83
2'		95	87	71	53	35	21	168	165	169	116	109	116	100	72	99
3'		105	97	81	62	44	29	199	196	199	137	127	137	112	90	112
4'		86	80	68	54	41	29	178	178	178	124	114	124	97	83	97
5'		63	60	53	44	34	26	146	146	145	101	94	101	78	70	78
6'		44	43	39	33	27	21	114	114	113	78	75	78	61	55	61
7'		31	30	28	24	20	17	87	88	87	60	59	60	48	43	47
8'		22	21	20	18	15	13	68	69	68	47	48	47	37	35	37
9'		15	15	14	13	12	10	55	56	55	39	39	39	30	29	30
		▼ is the beam center														

\*All multiple layouts are based on five fixtures aimed at 40 degrees from nadir.

Color Rendering Index (CRI)<sup>1</sup>: 82  
 Color Temperature (CCT)<sup>2</sup>: 3131  
 Spectral Power Distribution Chart<sup>3</sup>



1. Accuracy of rendering colors
2. Color appearance of light source
3. Colors present within the light source

LM-79 Test: 85820

Fixture Wattage	Light Output (Fixture Delivered Lumens)
20W	2256Lm
28W	3038Lm
35W	4127Lm
41W	4741Lm