

RALF6NC

6" New Construction Architectural Grade Housing and LED Trim Module Project _____

Specifications/Features

Housing/Mounting

Specification grade 6" New Construction non-IC housing.
Galvanized steel construction.
Requires minimum 3" clearance around fixture, trim module and driver from insulation material.
Dual nailer hanger bars are adjustable for 16" and 24" center joists (14-1/4" to 24-1/2"). Nailer bars enable easy installation and may be extended to rest on T-bar ceilings. Optional clip-on T-bar hangers also available.
Junction box is approved for through branch circuit wiring Max: (8) 12AWG (4in/4out). (5) 1/2" knockouts with convenient screwdriver pry-outs and (4) knockouts with Romex cable clamps.
Convenient quick-connect flexible conduit system allows straightforward connection to trim module.

Trim Module

Heavy gauge aluminum reflector in an anodized clear finish. Available in medium or wide beam distributions.
Injection molded plastic trim ring.
Aluminum extruded heat sink is designed to facilitate heat dissipation to ensure consistent quality light output, color and life of solid state components.
Thermal protection provided in case of improper insulation use.
Optical acrylic diffusion lens produces high lumen transmission and even illumination.
System designed and rated for 50,000 hours at 70% lumen maintenance.

Lamp

Multiple LED chips with excellent fixture-to-fixture color consistency.

Approved Dimmers

Lutron: NovaT NTLV600, Diva DVLV-600P, DVCL-153P, DVELV-303P, Skylark SELV-300P, CTCL-153P, Maestro MRF2-6ND-120, MACL-153M

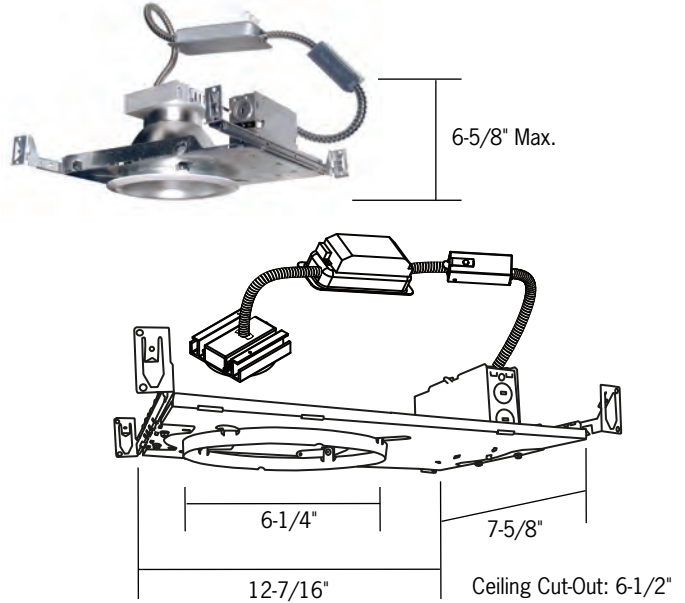
Pass and Seymour: TDLV703-PW

Warranty

This complete fixture is covered by ConTech's full five (5) year replacement guarantee after date of purchase.

Listing

cETLus Listed. Suitable for use in damp locations.



Input Voltage

Non-dimming	120-277VAC
Dimming	120VAC

Input Wattage

34.5W

Color Temperature

3000K

CRI (Typical)

80

Power Factor

>0.90

THD

<20%

Dimming

Triac	15-100%
-------	---------

Ordering Information

Example Order:

Housing

RALF6NC - 6" New Construction Architectural Grade Non-IC Housing

Options

HB-30 - T-Bar Hanger Set

Trim Module

CST6L - 6" Trim Module

Wattage

34 - 34W

Color Temp

30K - 3000K

Trim Type

MP22M - Multiplier Medium Beam Reflector, 1810Lm
MP22W - Multiplier Wide Beam Reflector, 1865Lm

Finish

CLR - Clear Haze

RALF6NC

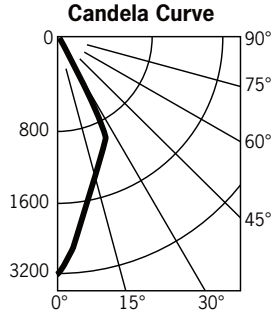
6" New Construction Architectural Grade Housing and LED Trim Module Project _____

Photometrics

RALF6NC CST6L3430K-MP22MCLR

Designed for 50,000 Hour Lamp Life*

Light Output (Fixture Delivered Lumens): 1810
 Total Watts@120V: 34.5
 Lumens Per Watt: 53
 Color Rendering Index (CRI)¹: 80
 Color Temperature (CCT)²: 3000K



Candlepower Summary

FROM 0	LUMENS
0	
5	243
15	474
25	555
35	367
45	112
55	37
65	15
75	7
85	2
95	0

Intensity Distribution

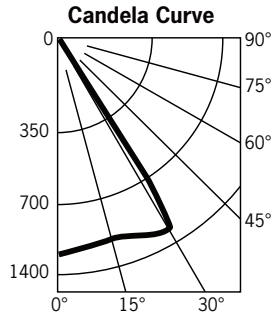
DISTANCE (FT.)	FOOTCANDLES (FC)	BEAM DIAMETER (FT.)
2'	791.6	1.2
4'	197.9	2.4
6'	88.0	3.6
8'	49.5	4.8
10'	31.7	6.0
12'	22.0	7.1

Beam Distribution: 33°
Spacing Criteria: 0.6

RALF6NC CST6L3430K-MP22WCLR

Designed for 50,000 Hour Lamp Life*

Light Output (Fixture Delivered Lumens): 1865
 Total Watts@120V: 33.7
 Lumens Per Watt: 55
 Color Rendering Index (CRI)¹: 80
 Color Temperature (CCT)²: 3000K



Candlepower Summary

FROM 0	LUMENS
0	
5	117
15	348
25	606
35	533
45	190
55	52
65	13
75	5
85	1
95	0

Intensity Distribution

DISTANCE (FT.)	FOOTCANDLES (FC)	BEAM DIAMETER (FT.)
2'	316.0	2.4
4'	79.0	4.8
6'	35.1	7.2
8'	19.8	9.5
10'	12.6	11.9
12'	8.8	14.3

Beam Distribution: 62°
Spacing Criteria: 1.2

1. Accuracy of rendering colors
 2. Color appearance of light source

*Dependent on surrounding temperatures