

RALF8NC

8" New Construction Architectural Grade Housing and LED Trim Module

Specifications/Features

Housing/Mounting

Specification grade 8" New Construction non-IC housing. Galvanized steel construction. Requires minimum 3" clearance around fixture, trim module and driver from insulation material. Dual nailer hanger bars are adjustable for 16" and 24" center joists (14-1/4" to 24-1/2"). Nailer bars enable easy installation and may be extended to rest on T-bar ceilings. Optional clip-on T-bar hangers also available. Junction box is approved for through branch circuit wiring Max: (8) 12AWG (4in/4out). (5) 1/2" knockouts with convenient screwdriver pry-outs and (4) knockouts with Romex cable clamps. Convenient quick-connect flexible conduit system allows straightforward connection to trim module.

Trim Module

Heavy gauge aluminum reflector in an anodized clear finish. Available in medium or wide beam distributions. Injection molded plastic trim ring. Aluminum extruded heat sink is designed to facilitate heat dissipation to ensure consistent quality light output, color and life of solid state components. Thermal protection provided in case of improper insulation use. Optical acrylic diffusion lens produces high lumen transmission and even illumination. System designed and rated for 50,000 hours at 70% lumen maintenance.

Lamp

Multiple LED chips with excellent fixture-to-fixture color consistency.

Approved Dimmers

Lutron: NovaT NTLV600, Diva DVLV-600P, DVCL-153P, DVELV-303P, Skylark SELV-300P, CTCL-153P, Maestro MRF2-6ND-120, MACL-153M

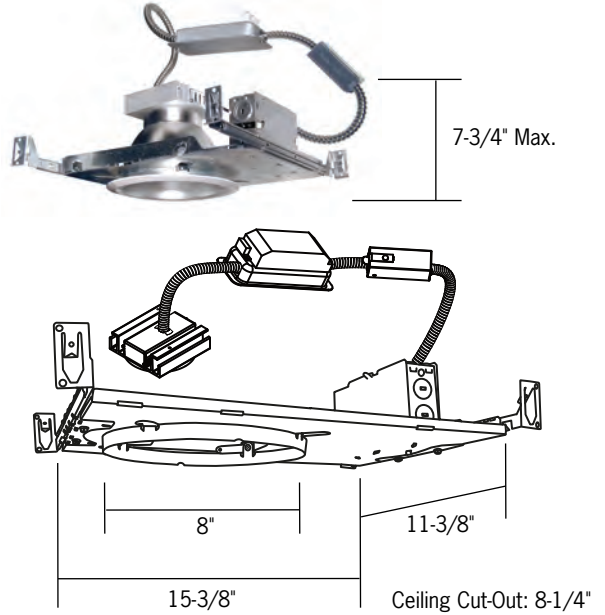
Pass and Seymour: TDLV703-PW

Warranty

This complete fixture is covered by ConTech's full five (5) year replacement guarantee after date of purchase.

Listing

cETLus Listed. Suitable for use in damp locations.



Input Voltage

Non-dimming	120-277VAC
Dimming	120VAC

Input Wattage 34.5W

Color Temperature 3000K

CRI (Typical) 80

Power Factor >0.90

THD <20%

Dimming

Triac 15-100%

Ordering Information

Example Order:

Housing

RALF8NC - 8" New Construction Architectural Grade Non-IC Housing

Options

HB-30 - T-Bar Hanger Set

Trim Module

Wattage

Color Temp

Trim Type

Finish

CST8L - 8" Trim Module

34 - 34W

30K - 3000K

MP22M - Multiplier Medium Beam Reflector/1763Lm

MP22W - Multiplier Wide Beam Reflector/1921Lm

CLR - Clear Haze

RALF8NC

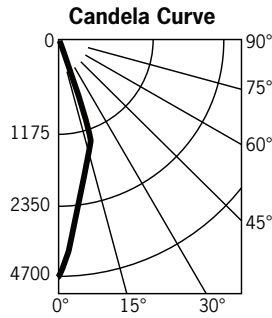
8" New Construction Architectural Grade Housing and LED Trim Module

Photometrics

RALF8NC CST8L3430K-MP22MCLR

Designed for 50,000 Hour Lamp Life*

Light Output (Fixture Delivered Lumens): 1763
 Total Watts@120V: 34
 Lumens Per Watt: 52
 Color Rendering Index (CRI)¹: 80
 Color Temperature (CCT)²: 3000K



Candlepower Summary

FROM 0	LUMENS
0	
5	307
15	562
25	579
35	249
45	40
55	13
65	8
75	4
85	1
95	0

Intensity Distribution

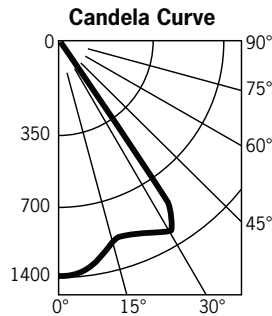
DISTANCE (FT.)	FOOTCANDLES (FC)	BEAM DIAMETER (FT.)
2'	1151.5	0.8
4'	287.9	1.7
6'	127.9	2.5
8'	72.0	3.4
10'	46.1	4.2
12'	32.0	5.1

Beam Distribution: 24°
Spacing Criteria: 0.4

RALF8NC CST8L3430K-MP22WCLR

Designed for 50,000 Hour Lamp Life*

Light Output (Fixture Delivered Lumens): 1921
 Total Watts@120V: 34.8
 Lumens Per Watt: 55
 Color Rendering Index (CRI)¹: 80
 Color Temperature (CCT)²: 3000K



Candlepower Summary

FROM 0	LUMENS
0	
5	125
15	335
25	558
35	592
45	218
55	64
65	21
75	7
85	1
95	0

Intensity Distribution

DISTANCE (FT.)	FOOTCANDLES (FC)	BEAM DIAMETER (FT.)
2'	348.8	3.2
4'	87.2	6.3
6'	38.8	9.5
8'	21.8	12.7
10'	14.0	15.8
12'	9.7	19.0

Beam Distribution: 76°
Spacing Criteria: 1.6

1. Accuracy of rendering colors
 2. Color appearance of light source

*Dependent on surrounding temperatures