

RF6L1 Series

5"/6" LED Retrofit Trim Module

Specifications/Features

6" LED recessed downlight retrofit modules for use in new construction and retrofit light commercial and residential applications. Compatible with most 5" and 6" recessed downlights (refer to housing size compatibility below). Reflector and trim ring are integral and fabricated of heavy gage aluminum. The reflector is available in matte white or platinum haze finish. Both reflector options include the trim ring in matte white. E26 medium screw base or GU24 base harness adapters provide easy installation into new constructions or retrofit applications. Nickel plated steel torsion springs secure module in housing.

Lamp

Optical acrylic diffusion lens produces high lumen transmission and even illumination. Multiple LED chips with excellent fixture-to-fixture color consistency. 15W, 1000 Delivered Lumen output. Available in 2700K and 3000K color temperatures. Direct 120VAC design – no driver needed providing for a smaller, lighter design with less components. Designed and rated for 50,000 hours at 70% lumen maintenance.

Dimming

Triac and ELV dimmable.

Warranty

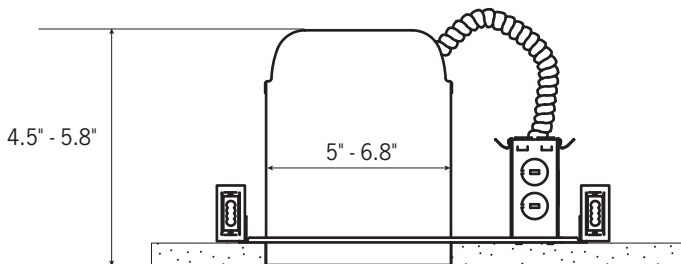
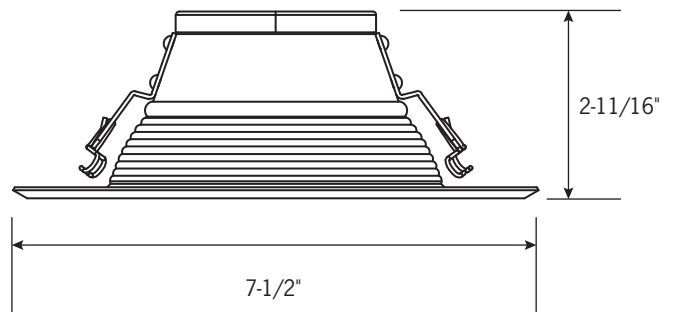
This complete fixture is covered by ConTech's full five (5) year replacement guarantee after date of purchase.

Labels/Usage

cETLus Listed; Suitable for use in wet locations. Energy Star listed.

Housing Compatibility

Module will fit in housings with the following dimensional space. E26 socket, GU24 base or male IDEAL® 182 quick-connect connector are required.



Ordering Information

Example Order: –

Fixture	Series	Color Temp	CRI	Base Adapter	Reflector/Trim Finish
<input type="text"/>	<input type="text"/>	<input type="text"/>	<input type="text"/>	<input type="text"/>	<input type="text"/>

RF6- 6" 15W, 1000Lm
LED Retrofit Module

L1

27K- 2700K
30K- 3000K

C - 90 CRI

E - E26 Base Adapter
G - GU24 Base Adapter

PL - Platinum Haze Reflector/
White Trim Ring
WHT - White Reflector/
White Trim Ring