

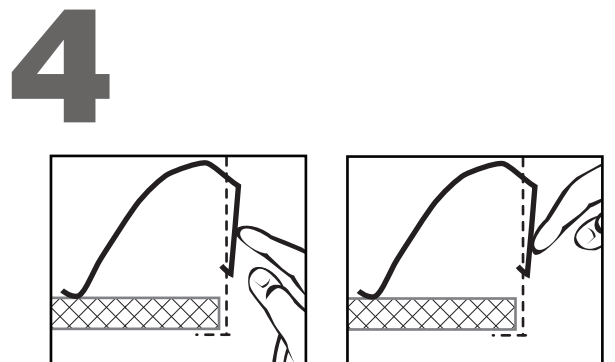
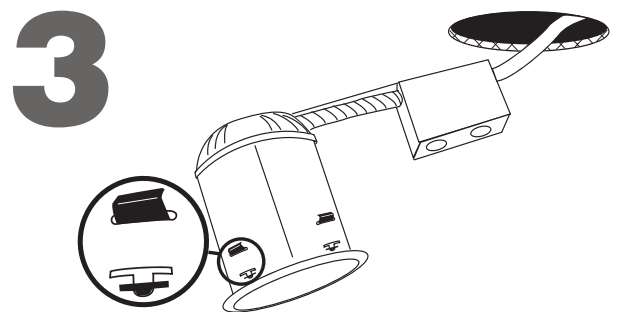
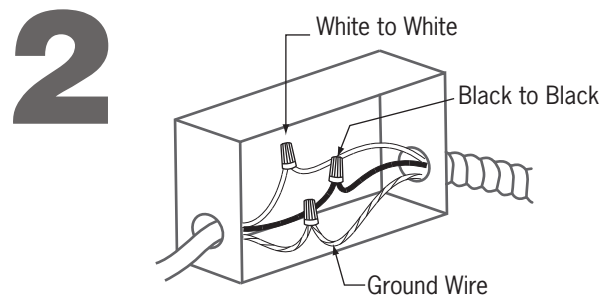
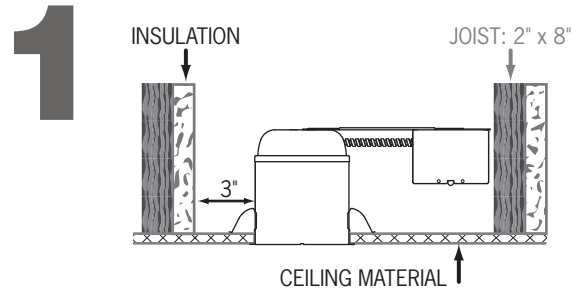
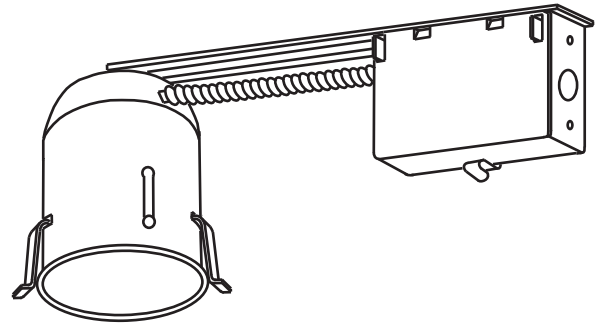
INSTALLATION PROCEDURES

Housing can NOT be installed in direct contact with insulation. Do not install insulation within 3" of fixture sides or wiring compartment, nor above fixture in such a manner to entrap heat. (Figure 1)

1. Using supplied template, scribe circle on ceiling in desired location.
2. Accurately cut hole in ceiling.
3. Provide electrical service with flexible cable only. Pass cable through opening and wire fixture in accordance with NEC or local electrical code.
4. Remove appropriate size knockout on fixture J-box for conduit.
5. Remove J-box cover by pushing up on spring clip. Attach conduit with connector to J-box and secure.
6. Connect supply wires to fixture wires: connect black to black (hot), white to white (neutral), and green to green (ground) with twist type wire connectors (not provided). (Figure 2)
7. Close junction box cover after wiring. Insure that all wires are safely within box before closing.
8. With clips seated properly in can (Figure 3), insert housing through ceiling opening, junction box first, until it is flush with ceiling.
9. Hold fixture up against ceiling and push clip through housing slot.
10. To lock clip into place, push flat portion against side of can in an upward direction. (Figure 4a) To complete installation, push up clip with screwdriver until it snaps into place. To release, pull down on clip. (Figure 4b)
11. Install Trim.
12. Install Lamp.

IMPORTANT SAFETY INSTRUCTIONS:

- Read all the instructions before installation. Save instructions for later use.
- Turn off power at fuse or circuit breaker box before installation or before doing any maintenance work.
- Product must be grounded to avoid potential electric shock and any other potential hazards.
- Product must be mounted in locations and at heights and in a manner consistent with its intended use, and in compliance with National Electrical Code and local codes. Use of accessory equipment is not recommended.
- Installing contrary to instructions may cause unsafe conditions.
- Do not block light from the trim aperture, in whole or in part, as this may cause unsafe conditions.
- **Warning:** Risk of fire. Most dwellings built before 1985 have supply wire rated at 60°C. Consult a qualified electrician before installation.
- To avoid hazards to children, account for all parts and properly dispose of all packing materials.
- Call the Technical Support department at ConTech Lighting with any installation questions: 847.559.5500.



A. To Install

B. To Remove