

# ArchiThin SMTR SMTS

## LED Surface Mount Downlights

### Specifications/Features

#### Luminaire

Slim architectural design with optical diffusion lens providing even illumination.  
Edge-lit LED configuration for low glare light pattern.  
Available in Round and Square.  
Standard finish options include White and Silver. Black finish available upon request, please consult factory.  
Mounts to NEC approved 4" round or octagon junction box with minimum depth of 1-1/2".

#### Lamp/Electrical

**5" Round:** 11W, 770 Delivered Lumens  
**7" Round:** 14W, 1000 Delivered Lumens  
**4" Square:** 11W, 770 Delivered Lumens  
**6" Square:** 14W, 1000 Delivered Lumens  
Standard color temperature options include 3000K (80 and 90 CRI) and 4000K 80 CRI. Additional color temperature options are available upon request, please consult factory.  
Designed and rated for 50,000 hours at 70% lumen maintenance.

Integrated driver options:

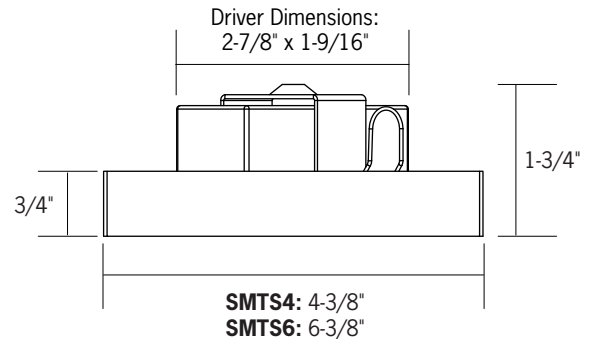
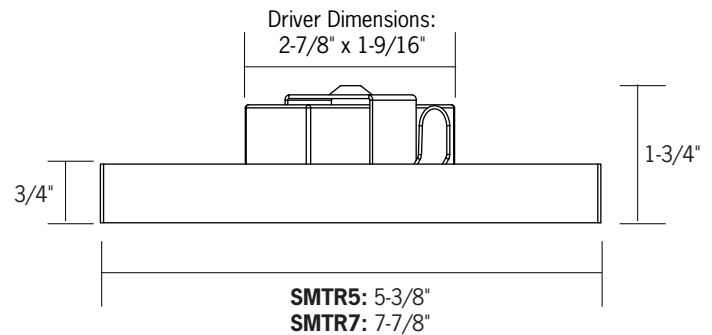
- 120VAC input, TRIAC/ELV Dimming
- 120-277VAC input with 0-10V Dimming

#### Warranty

This complete fixture is covered by ConTech's full five (5) year replacement guarantee after date of purchase.

#### Listing

cETLus listed. Suitable for wet locations (covered ceiling).  
Energy Star Listed.  
Suitable for use in closets when installed in accordance with NFPA® 70, NEC® Section 410.16.



### Ordering Information

Example Order:  -

Fixture	Color Temperature	Driver	Finish
<b>SMTR5</b> - 5" Round LED	<b>30K</b> - 3000K, 80CRI	<b>12D1</b> - 120V Triac	<b>S</b> - Silver/Aluminum
<b>SMTR7</b> - 7" Round LED	<b>30KC</b> - 3000K, 90CRI	<b>MVD2</b> - 120-277V	<b>W</b> - White
<b>SMTS4</b> - 4" Square LED	<b>40K</b> - 4000K, 80CRI	0-10V Dimming	
<b>SMTS6</b> - 6" Square LED			

# ArchiThin SMTR SMTS

## LED Surface Mount Downlights

### Photometrics

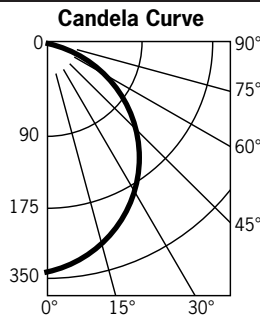
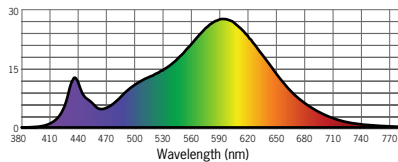
Lumen output values fluctuate based on CCT and CRI. To estimate lumen output of the various CCT/CRI options, multiply 3000K (80 CRI min) results by the following:

CCT	Standard CRI	High CRI
3000K	N/A	.846
4000K	1.0	N/A

### SMTR530K12D1-S

Designed for 50,000 Hour Lamp Life<sup>1</sup>; LM-63 Test No. G17011101

**Light Output (Fixture Delivered Lumens):** 864  
**Total Watts@120V:** 11.2; **Lumens Per Watt:** 77.1  
**Center Beam Candle Power:** 322  
**Color Rendering Index (CRI)<sup>2</sup>:** 80  
**Color Temperature (CCT)<sup>3</sup>:** 2905K  
**Spectral Power Distribution Chart<sup>4</sup>**



FROM 0	CANDELA	LUMENS
0	322	
5	321	33
15	309	88
25	286	132
35	250	157
45	205	159
55	155	139
65	101	100
75	49	52
85	7	4
95	0	

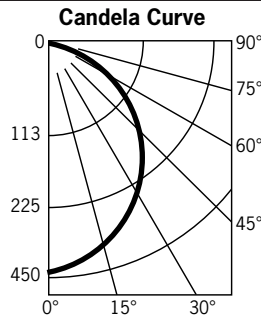
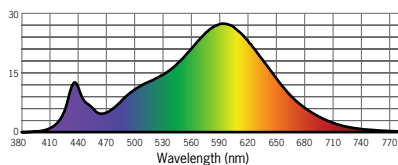
Intensity Distribution		
DISTANCE (FT.)	FOOTCANDLES (FC)	BEAM DIAMETER (FT.)
4'	20.1	10.9
6'	9.0	16.4
8'	5.0	21.9
10'	3.2	27.3
12'	2.2	32.8
14'	1.6	38.3

**Beam Distribution:** 108°  
**Spacing Criterion:** 1.35

### SMTR730K12D1-W

Designed for 50,000 Hour Lamp Life<sup>1</sup>; LM-63 Test No. G17011803

**Light Output (Fixture Delivered Lumens):** 1179  
**Total Watts@120V:** 13.9; **Lumens Per Watt:** 84.8  
**Center Beam Candle Power:** 416  
**Color Rendering Index (CRI)<sup>2</sup>:** 80  
**Color Temperature (CCT)<sup>3</sup>:** 2905K  
**Spectral Power Distribution Chart<sup>4</sup>**



FROM 0	CANDELA	LUMENS
0	416	
5	415	42
15	402	114
25	376	174
35	335	210
45	279	216
55	214	192
65	143	142
75	73	78
85	15	8
95	0	

Intensity Distribution		
DISTANCE (FT.)	FOOTCANDLES (FC)	BEAM DIAMETER (FT.)
4'	26.0	11.8
6'	11.6	17.7
8'	6.5	23.5
10'	4.2	29.4
12'	2.9	35.3
14'	2.1	41.2

**Beam Distribution:** 160°  
**Spacing Criterion:** 1.38

1. Dependent on surrounding temperatures  
 2. Accuracy of rendering colors  
 3. Color appearance of light source  
 4. Colors present within the light source

# ArchiThin SMTR SMTS

## LED Surface Mount Downlights

### Photometrics

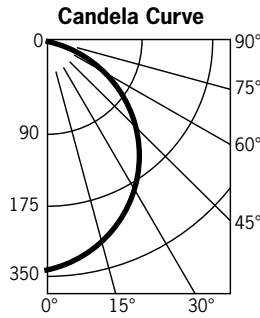
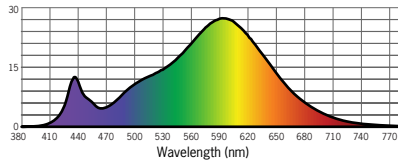
Lumen output values fluctuate based on CCT and CRI. To estimate lumen output of the various CCT/CRI options, multiply 3000K (80 CRI min) results by the following:

CCT	Standard CRI	High CRI
3000K	N/A	.846
4000K	1.0	N/A

### SMTS430K12D1-W

Designed for 50,000 Hour Lamp Life<sup>1</sup>; LM-63 Test No. G17011801

**Light Output (Fixture Delivered Lumens):** 865.4  
**Total Watts@120V:** 11.2; **Lumens Per Watt:** 77.3  
**Center Beam Candle Power:** 307  
**Color Rendering Index (CRI)<sup>2</sup>:** 80  
**Color Temperature (CCT)<sup>3</sup>:** 2905K  
**Spectral Power Distribution Chart<sup>4</sup>**



#### Candlepower Summary

FROM 0	CANDELA	LUMENS
0	307	
5	306	31
15	297	84
25	278	129
35	247	155
45	207	160
55	158	142
65	105	104
75	52	55
85	10	5
95	0	

#### Intensity Distribution

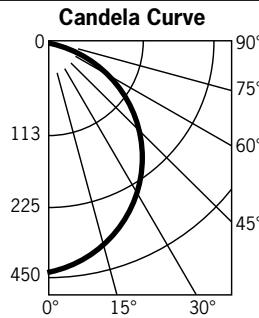
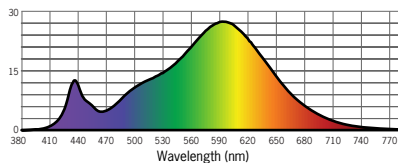
DISTANCE (FT.)	FOOTCANDLES (FC)	BEAM DIAMETER (FT.)
4'	19.2	11.8
6'	8.5	17.7
8'	4.8	23.6
10'	3.1	29.5
12'	2.1	35.4
14'	1.6	41.3

**Beam Distribution:** 112°  
**Spacing Criterion:** 1.3

### SMTS630K12D1-W

Designed for 50,000 Hour Lamp Life<sup>1</sup>; LM-63 Test No. G17011802

**Light Output (Fixture Delivered Lumens):** 1150  
**Total Watts@120V:** 13.7; **Lumens Per Watt:** 84.6  
**Center Beam Candle Power:** 403  
**Color Rendering Index (CRI)<sup>2</sup>:** 80  
**Color Temperature (CCT)<sup>3</sup>:** 2905K  
**Spectral Power Distribution Chart<sup>4</sup>**



#### Candlepower Summary

FROM 0	CANDELA	LUMENS
0	403	
5	402	41
15	390	111
25	366	169
35	327	205
45	273	212
55	210	188
65	140	139
75	72	76
85	15	8
95	0	

#### Intensity Distribution

DISTANCE (FT.)	FOOTCANDLES (FC)	BEAM DIAMETER (FT.)
4'	25.2	12.0
6'	11.2	17.9
8'	6.3	23.9
10'	4.0	29.9
12'	2.8	35.8
14'	2.1	41.8

**Beam Distribution:** 112°  
**Spacing Criterion:** 1.28

1. Dependent on surrounding temperatures  
 2. Accuracy of rendering colors  
 3. Color appearance of light source  
 4. Colors present within the light source