

# SS Series

## 2' and 4' LED Surface Strip Fixtures

### Specifications/Features

#### Housing

Commercial grade 2' and 4' surface mount strip fixtures.  
Integrated LED Strips delivering over 900 lumens per foot.  
Matte White finish with opaque white high impact acrylic lens.  
Available in 2700K, 3000K, 3500K, and 4000K CCT with 83 CRI.

#### Lamp

Light engine consists of multi-chip LED strips.  
10 Watts per linear foot.  
120-277V Integrated, non-dimming driver.

#### Mounting

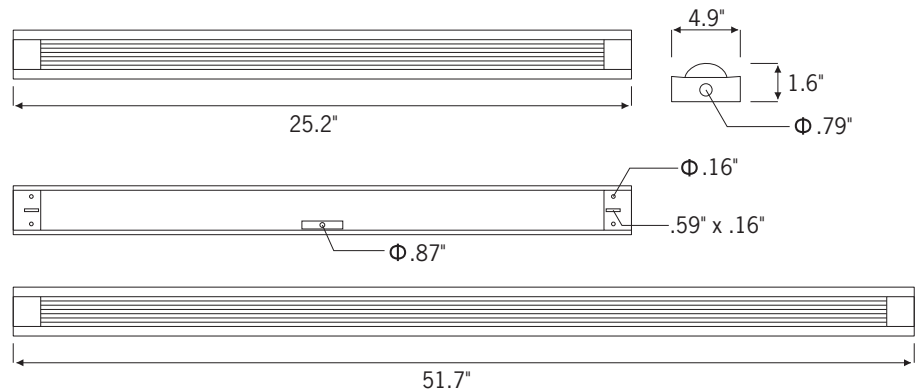
Surface mounting for ceiling or wall.  
Includes mounting hardware.

#### Warranty

This complete fixture is covered by ConTech's full five (5) year replacement guarantee after date of purchase.

#### Listing

ETL Certified for use in the U.S. and Canada.  
All models must be installed per specific product installation instruction and all appropriate National Electrical Codes.  
Suitable for use in closets when installed in accordance with NFPA® 70, NEC® Section 410.16.



### Ordering Information

Example Order:  -

Fixture	Length	Color Temp	Driver	Finish
<b>SS</b>	<b>2</b> - 2FT/24" <b>4</b> - 4FT/48"	<b>27K</b> - 2700K <b>30K</b> - 3000K <b>35K</b> - 3500K <b>40K</b> - 4000K	<b>MV</b> - 120 - 277V	<b>P</b> - White

# SS Series

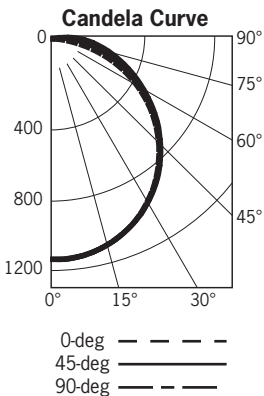
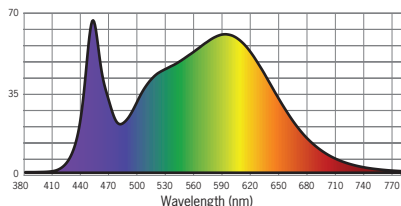
## 2' and 4' LED Surface Strip Fixtures

### Photometrics

#### SS440KMV

Designed for 50,000 Hour Lamp Life<sup>1</sup>; LM-63 Test No. 88382

Light Output (Fixture Delivered Lumens): 3506  
 Total Watts@120V: 38.9  
 Lumens Per Watt: 90.1  
 Color Rendering Index (CRI)<sup>2</sup>: 84  
 Color Temperature (CCT)<sup>3</sup>: 4172K  
 Spectral Power Distribution Chart<sup>4</sup>



	CANDELA FROM 0	CANDELLA FROM 45	CANDELLA FROM 90	LUMENS
0	1147	1147	1147	
5	1145	1145	1143	109
15	1104	1105	1104	311
25	1025	1027	1028	472
35	909	914	918	570
45	764	773	778	594
55	595	608	622	543
65	407	431	463	429
75	206	269	320	282
85	35	141	200	145
95	0	41	91	48

Beam Distribution: 112° x 116°  
 Spacing Criteria: 1.26 @ 0°

#### Intensity Distribution

DISTANCE (FT.)	FOOTCANDLES (FC)	BEAM DIAMETER (FT.)
6'	31.9	7.6
8'	17.9	10.1
10'	11.5	12.6
12'	8.0	15.1
14'	5.9	17.6
16'	4.5	20.2

1. Dependent on surrounding temperatures  
 2. Accuracy of rendering colors  
 3. Color appearance of light source  
 4. Colors present within the light source