

INSTALLATION PROCEDURES

- Please read all instructions prior to installation.
- Product should be installed by a qualified electrician.
- Prior to installation, please test all tapelight components to ensure no damage has occurred during shipment and layout materials to check bill of material.
- In hardwire applications, ensure power is off at fuse box to prevent electrical shock.

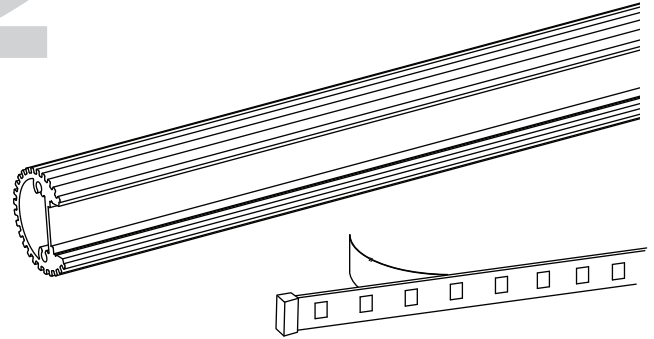
1

Measure canopy spacing. Mount back plates to junction box or ceiling surface using proper mounting hardware.



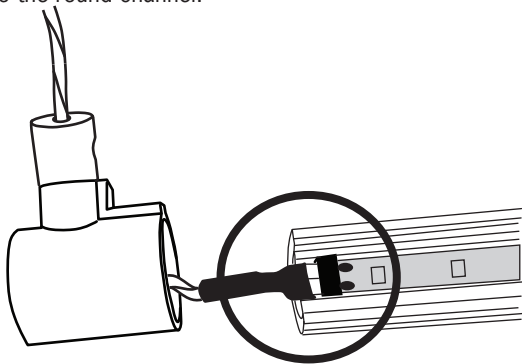
2

Adhere the tape into clean round channel.



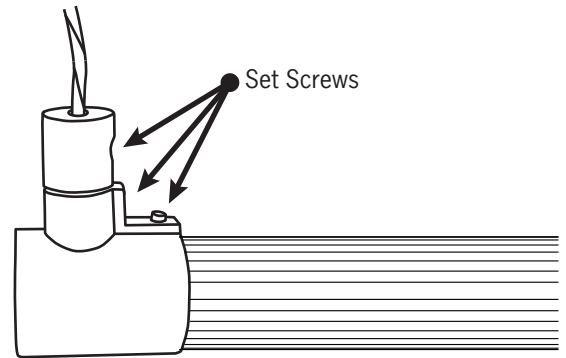
3

Locate the input connector on the support/power cable and plug into the tapelight connector. Match the "+" on the connector to the "V+" on tape. Install lens onto the round channel.



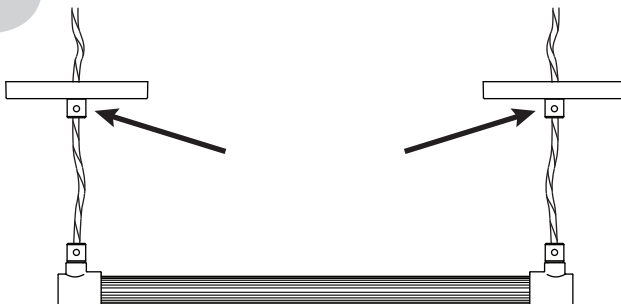
4

Insert round extrusion into elbows on both ends. Make sure lens is pointing down or in desired direction. Tighten set screws on all endcap points.



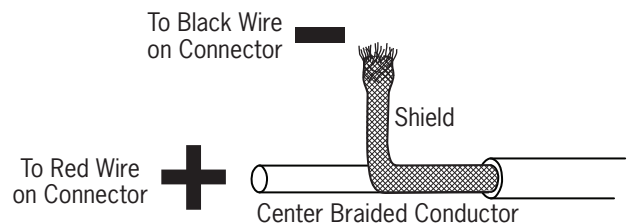
5

Loosen set screws to adjust cables to desired lengths. Tighten set screws.

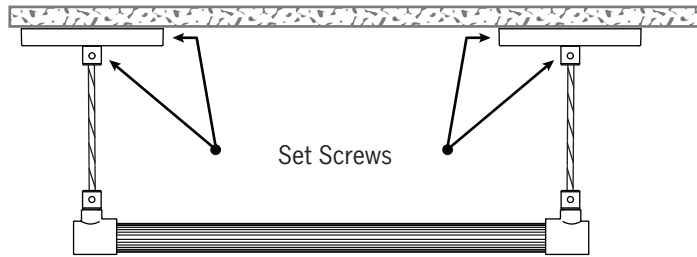


6

Wire power feed cable to low voltage wires from remote power supply. If wire length is shortened, then strip wires as shown below and re-attach barrel plug connector or wire nuts.



7 Attach canopy to mounting plate and tighten all set screws.



Optimized Light Output Chart

12V

ConTech POWER SUPPLY INPUT VOLTAGE: 12V DC	STANDARD OUTPUT 0.7W/FT		HIGH OUTPUT 1.45W/FT		SUPER HIGH OUTPUT 3.24W/FT	
	MAX RUN	MAX SPLIT	MAX RUN	MAX SPLIT	MAX RUN	MAX SPLIT
20W	14FT	14FT	10FT	10FT	5FT	5FT
24W	17FT	17FT	12FT	12FT	6FT	6FT
36W	22FT	26FT	17FT	17FT	10FT	10FT
60W	22FT	36FT	17FT	28FT	12FT	16FT
60W	22FT	36FT	17FT	28FT	12FT	16FT
60W/277V	22FT	36FT	17FT	28FT	12FT	16FT

*Max split can be split more than once, without exceeding the max single run in each leg.

- Max Run refers to the total single run of tapelight that can go on a power supply. Max Split refers to the total amount of tapelight that can go on a driver if it were separated into two runs.
- Max Run lengths are calculated with 12V DC at the start of the tape run. Voltage drop may occur if not using proper wire gauge. Please refer to the Power Supply Wiring Chart on page one of these instructions.
- Max Run lengths above are calculated with no more than 30% light loss from the start of the tape run to the end of the tape run for optimal light consistency. If run lengths are extended beyond the recommended lengths noted above, there will be inconsistent light output and voltage drop.

24V

ConTech POWER SUPPLY INPUT VOLTAGE: 24V DC	STANDARD OUTPUT 2.1W/FT		HIGH OUTPUT 3.8W/FT	
	MAX RUN	MAX SPLIT	MAX RUN	MAX SPLIT
20W	7FT	9FT	5FT	6FT
36W	11FT	16FT	7FT	9FT
60W	18FT	26FT	12FT	15FT
90W	28FT	40FT	18FT	22FT
96W	32FT	45FT	20FT	25FT

*Max split can be split more than once, without exceeding the max single run in each leg.

- Max Run refers to the total single run of tapelight that can go on a power supply. Max Split refers to the total amount of tapelight that can go on a driver if it were separated into two runs.
- Max Run lengths are calculated with 24V DC at the start of the tape run. Voltage drop may occur if not using proper wire gauge. Please refer to the Power Supply Wiring Chart on page one of these instructions.
- Max Run lengths above are calculated with no more than 30% light loss from the start of the tape run to the end of the tape run for optimal light consistency. If run lengths are extended beyond the recommended lengths noted above, there will be inconsistent light output and voltage drop.

All specifications subject to change without notice. For ConTech's limited product warranty, go to www.contechlighting.com. For a printed copy of the warranty, call 1-847-559-5500.