

TLPWM

Tapelight Wall Mount Bracket

Specifications/Features

Wall Mount Bracket

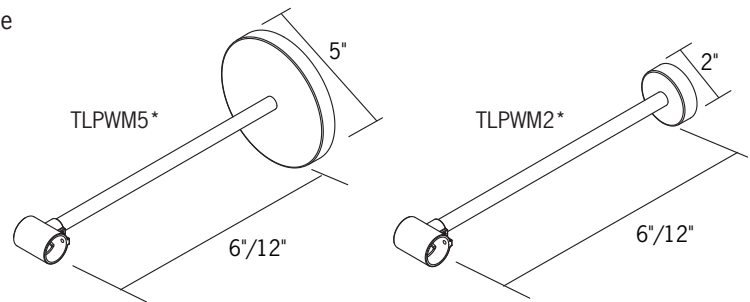
For use with round mounting channel (TLAC06).
 Field cuttable stem and extrusion with lockable aiming.
 Provides excellent heat sinking and protection to the LEDs while ensuring a clean, straight run.
 Clear or frosted lens can be added to cover LEDs.
 Bracket assembly includes: canopy, elbow, mounting plate, and mounting hardware.
 Stem sold separately.
 Round extrusion sold separately.

Warranty

This product is covered by ConTech's one (1) year full replacement guarantee after date of purchase. Five (5) year replacement guarantee when tapelight is installed using the aluminum mounting channel.

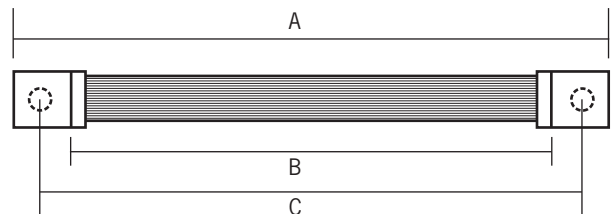
Listing

cCSAus Certified to UL standards.
 Suitable for damp locations.
 Not suitable for ceiling mount.



*Stems sold separately

Tape Output	Lumens Per Foot	Wattage Per Foot
Standard Output (SO) TLT12V1 Series	65 Lm/ft	0.73W/ft
High Output (HO) TLT12V2 Series	135Lm/ft	1.44W/ft
Super High Output (SHO) TLT12V3 Series	440Lm/ft	3.24W/ft



Extrusion Length (B)	Overall Length (A)	Centered Mounting Location (C)
10"	12"	11"
22"	24"	23"
34"	36"	35"
46"	48"	47"
58"	60"	59"
70"	72"	71"

TLPWM

Tapelight Wall Mount Bracket

Ordering Information: Parts Needed for Full Assembly



Plug and Play Input Power Connector

Includes (1) male plug connector and (1) male flex tape connector.

TLCIP19 - 19"



Hardwire Input Power Connector

Includes wire pigtail end and (1) male flex tape connector.

TLCIP19HW - 19"



24W Plug-and-Play Power Supply

120VAC/12VDC. Includes AC wall plug and female power output plug for easy installation. Plug-in unit measures 3-1/4" L x 1-3/4" W x 1-1/4" D; system length: 6".

TLP12VP24



Desktop Plug-and-Play Power Supply

120VAC/12VDC. Includes AC wall plug and female power output plug for easy installation. Desktop unit: 4" L x 2" W x 1-1/4" D

TLP12VP36 - 36W, System Length 10"
TLP12VP60 - 60W, System Length 12"



Hardwire Power Supply

120VAC/12VDC. Includes stripped and tinned wire pig-tails on the input and outputs. Must be maintained within an enclosure that meets local building codes and NEC (supplied by others). 2' Wire leads.

TLP12VHW20 - 120V/20W;
 4-3/4" L x 1-3/16" W x 1" D

TLP12VHW60 - 120V/60W;
 6-1/2" L x 1-3/4" W x 1-1/4" D

TLP12VHW60277 - 277V/60W;
 6-1/2" L x 1-3/4" W x 1-1/4" D



Hardwire Class II Enclosed Driver

120VAC/12VDC. Dimmable Class 2 driver. Compact self-enclosed driver with two (2) knockouts. Auto Reset and short circuit protection. 120V Dimming only, no low voltage dimming.

TLP12VHW20-ENC - 120V/20W;
 6-3/4" L x 2-5/8" W x 1-1/4" D

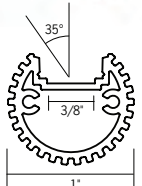
TLP12VHW60-ENC - 120V/60W;
 6-3/4" L x 2-5/8" W x 1-1/4" D



Aluminum Mounting Channel

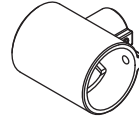
Provides excellent heat sinking and protection to the LEDs while ensuring a clean, straight run.

TLAC06-S - 6" Round Channel, Aluminum
TLAC06-B - 6" Round Channel, Black



Wall Mount Bracket

For use with round mounting channel. Field cuttable stem, with lockable aiming. Stem sold separately. Not approved for ceiling mount.



TLPWM2-S - 2" Wall Mount Bracket, Aluminum

TLPWM2-B - 2" Wall Mount Bracket, Black

TLPWM5-S - 5" Wall Mount Bracket, Aluminum

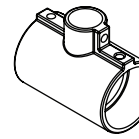
TLPWM5-B - 5" Wall Mount Bracket, Black

TLPWMC2-S - 2" Center Support Wall Mount Bracket, Aluminum

TLPWMC2-B - 2" Center Support Wall Mount Bracket, Black

TLPWMC5-S - 5" Center Support Wall Mount Bracket, Aluminum

TLPWMC5-B - 5" Center Support Wall Mount Bracket, Black



Wall Mount Bracket Stems

WMSTEM6-S - 6" Stem, Aluminum

WMSTEM6-B - 6" Stem, Black

WMSTEM12-S - 12" Stem, Aluminum

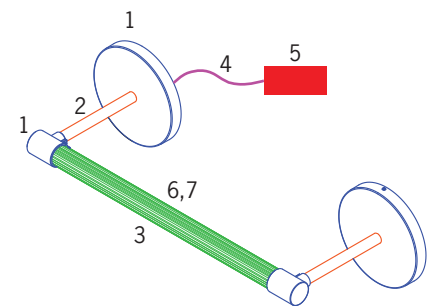
WMSTEM12-B - 12" Stem, Black

Acrylic Diffusion Lens

For use with mounting channel. Provides extra protection for the LEDs as well as diffusion to reduce glare. 6' L x 1/2" W. Wet listed Tapelight is not compatible with channel end caps or diffusion lenses.

TLALC6 - Clear Lens

TLALF6 - Frosted Lens



Sample Bill of Material

Item #	Part #	Qty
1	TLPWM5-S	(2) Brackets
2	WMSTEM12-S	(2) Stems
3	TLAC06	(1) Round Channel
4	TLCIP19HW	(1) Hardwire Power Connector
5	TLP12VHW20	(1) Hardwire Power Supply
6	TLT12V13K12	(1) Tapelight, 12"
7	TLALF6	(1) Frosted Lens